



PRODUCT CATALOG 2024



# ACDC Fans



## About ACDCFAN

The ACDCFAN develops and manufactures compact cooling fans used in a wide range of industries, including Industrial machinery, Electric power Industry, PV field, Energy storage, and Telecommunications, among others. ACDCFAN produces AC axial fans, AC centrifugal fans, DC axial fans, DC blowers, and EC axial fans for customers around the world. With over 20 years of dedicated experience in the field, ACDCFAN has grown to be a leading professional manufacturer of high-quality fans based in China.

ACDCFAN has been at the forefront of the industry, consistently providing cutting-edge solutions to meet the diverse needs of our customers. We are an ISO certified company with ISO9001 and ISO14001 certificates. Our cooling fans are RoHS compliant and designed to meet the toughest standards of UL, CE and TUV. The commitment of ACDCFAN to innovation, reliability and customer satisfaction has made us a trusted partner for businesses worldwide. We understand that every application is unique, the OEM/ODM/OBM services are available to offer customized solutions. ACDCFAN strives to be a respected global brand and continue to contribute to the future development of the cooling fan industry.

## Factory workshop

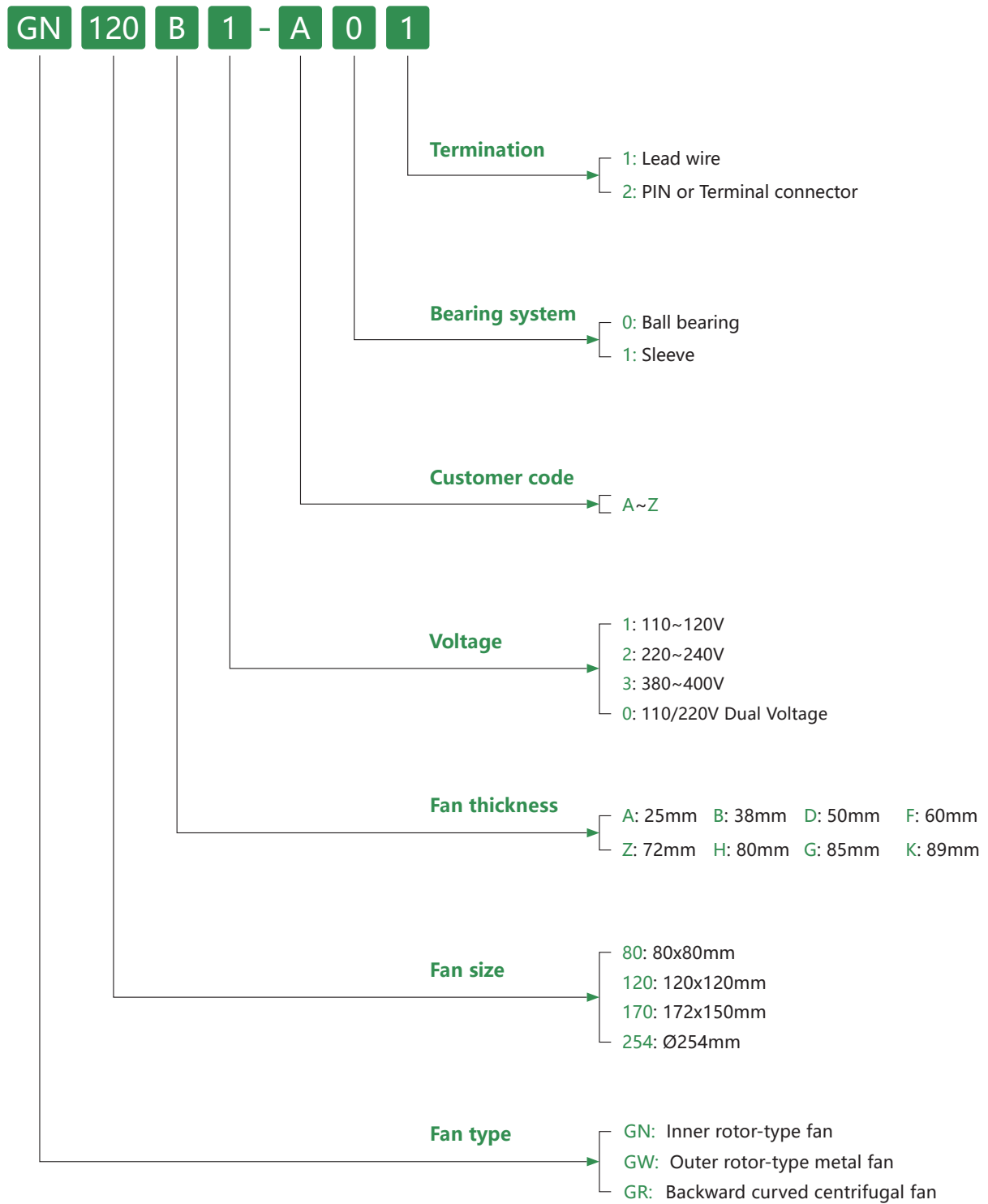


## Certifications

We are an ISO certified company with ISO9001 and ISO14001 certificates. Our cooling fans are RoHS compliant and designed to meet the toughest standards of UL, CE and TUV.



# AC Fans Part Numbering System



# Contents

Model no.	Size (mm)	Size (inch)	Page
<b>GW Series - Full metal AC axial fan</b>			<b>01</b>
GW80B	80 x 80 x 38	3.1" x 3.1" x 1.5"	02
GW92B	92 x 92 x 38	3.6" x 3.6" x 1.5"	03
GW120B	120 x 120 x 38	4.7" x 4.7" x 1.5"	04
GW170E	170 x 150 x 55	6.7" x 5.9" x 2.1"	05
GW205Z	206 x 206 x 72	8.1" x 8.1" x 2.8"	06
GW225H	225 x 225 x 80	8.9" x 8.9" x 3.1"	07
GW250K	Ø254 x 89	10" x 3.5"	08
GW280H	280 x 280 x 80	11" x 11" x 3.1"	09
GW280K	280 x 280 x 90	11" x 11" x 3.5"	10
<b>GN Series - Classic AC axial fan</b>			<b>11</b>
GN80A	80 x 80 x 25	3.1" x 3.1" x 1"	12
GN80B	80 x 80 x 38	3.1" x 3.1" x 1.5"	13
GN92A	92 x 92 x 25	3.6" x 3.6" x 1"	14
GN92B	92 x 92 x 38	3.6" x 3.6" x 1.5"	15
GN110A	110 x 110 x 25	4.3" x 4.3" x 1"	16
GN120A-5	120 x 120 x 25	4.7" x 4.7" x 1"	17
GN120A-7	120 x 120 x 25	4.7" x 4.7" x 1"	18
GN120A Metal <b>NEW</b>	120 x 120 x 25	4.7" x 4.7" x 1"	19
GN120B-5	120 x 120 x 38	4.7" x 4.7" x 1.5"	20
GN120B-7	120 x 120 x 38	4.7" x 4.7" x 1.5"	21
GN120B Metal <b>NEW</b>	120 x 120 x 38	4.7" x 4.7" x 1.5"	22
GN135B	135 x 135 x 38	5.3" x 5.3" x 1.5"	23
GN150D-5	150 x 150 x 50	5.9" x 5.9" x 2"	24
GN150D-7	150 x 150 x 50	5.9" x 5.9" x 2"	25
GN170B	172 x 151 x 39	6.8" x 5.9" x 1.5"	26
GN170D-5	172 x 150 x 51	6.8" x 5.9" x 2"	27
GN170D-7	172 x 150 x 51	6.8" x 5.9" x 2"	28
GN170D Metal <b>NEW</b>	172 x 150 x 51	6.8" x 5.9" x 2"	29
GN180F	180 x 180 x 60	7" x 7" x 2.4"	30
GN200F	200 x 200 x 60	7.9" x 7.9" x 2.4"	31
GN220F	Ø220 x 60	8.7" x 2.4"	32
GN205Z	206 x 206 x 72	8.1" x 8.1" x 2.8"	33
GN250K	Ø254 x 89	10" x 3.5"	34
<b>GR Series - AC centrifugal fan</b>			<b>35</b>
GR175A	Ø175 x 65	6.9" x 2.6"	36
GR190A	Ø190 x 61	7.5" x 2.4"	37
GR220A	Ø220 x 64	8.7" x 2.5"	38
GR225B	Ø225 x 89	8.9" x 3.5"	39
GR250A	Ø250 x 86	9.8" x 3.4"	40

## GW Series - Full metal AC axial fan

Customization options for special applications:

- IP67-rated Protection: Waterproof & Dustproof
- Anti-Salt spray
- High temperature resistance up to 150°C



# GW80B

80x80x38mm (3.1"x3.1"x1.5")



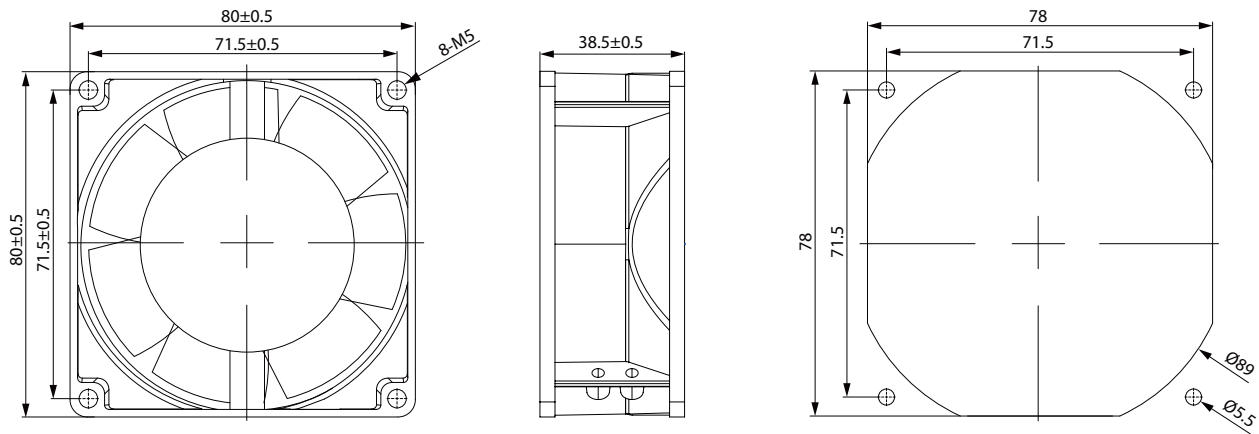
Full Metal

Fan Frame: Die-cast Aluminum(Black or Silver coating)  
 Fan Impeller: Metal  
 Operation Temp.: -30~80°C  
 Operation Voltage Range: 110V(±10%); 220V(±10%)  
 Dielectric Strength: 5mA Max.at 1500V for 1 min  
 Safety: Impedance Protected  
 Termination: Lead Wire; Pin  
 Weight: 400g  
 Protection Class: IP44  
 Insulation: Class A  
 Option: Customized high temperature 150°C; IP55/IP67

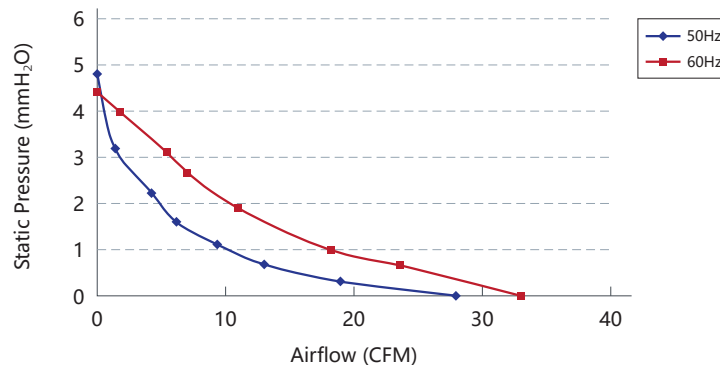
## Specifications

Model	Bearing	Blades	Voltage	Freq.	Current	Power	Speed	Noise	Max. Air Flow	Pressure	
No.			VAC	Hz	A	W	RPM	dB(A)	m³/h	CFM	mmH <sub>2</sub> O
GW80B1	Ball	7	100/125	50/60	0.18/0.16	17/14	2700/3100	30/36	47.6/56.1	28/33	4.8/4.4
GW80B2	Ball	7	200/240	50/60	0.09/0.08	17/14	2700/3100	30/36	47.6/56.1	28/33	4.8/4.4

## Engineering Drawing (mm)



## Air Performance



# GW92B

92x92x38mm (3.6"x3.6"x1.5")



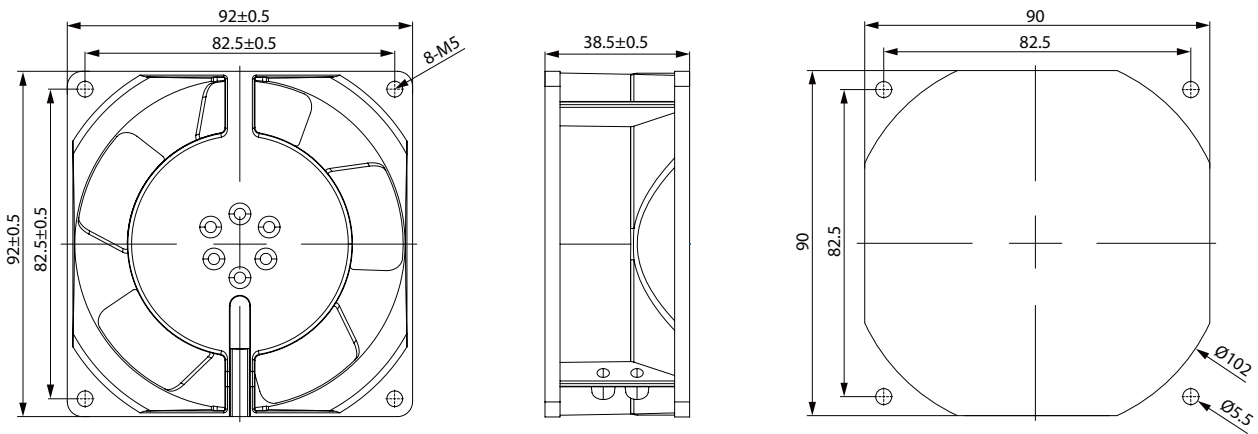
Full Metal

Fan Frame: Die-cast Aluminum(Black or Silver coating)  
 Fan Impeller: Metal  
 Operation Temp.: -30~80°C  
 Operation Voltage Range: 110V(±10%); 220V(±10%)  
 Dielectric Strength: 5mA Max.at 1500V for 1 min  
 Safety: Impedance Protected  
 Termination: Lead Wire; Pin  
 Weight: 480g  
 Protection Class: IP44  
 Insulation: Class A  
 Option: Customized high temperature 150°C; IP55/IP67

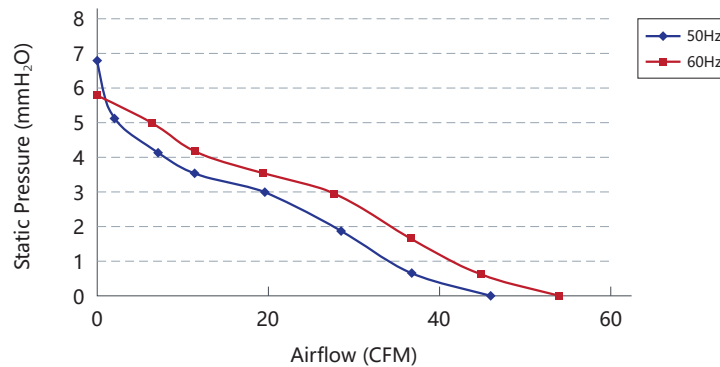
## Specifications

Model	Bearing	Blades	Voltage	Freq.	Current	Power	Speed	Noise	Max. Air Flow	Pressure	
No.			VAC	Hz	A	W	RPM	dB(A)	m³/h	CFM	mmH <sub>2</sub> O
GW92B1	Ball	5	100/125	50/60	0.18/0.16	17/14	2600/3000	38/40	78.2/91.8	46/54	6.8/5.8
GW92B2	Ball	5	200/240	50/60	0.09/0.08	17/14	2600/3000	38/40	78.2/91.8	46/54	6.8/5.8

## Engineering Drawing (mm)



## Air Performance





# GW120B

120x120x38mm (4.7"x4.7"x1.5")



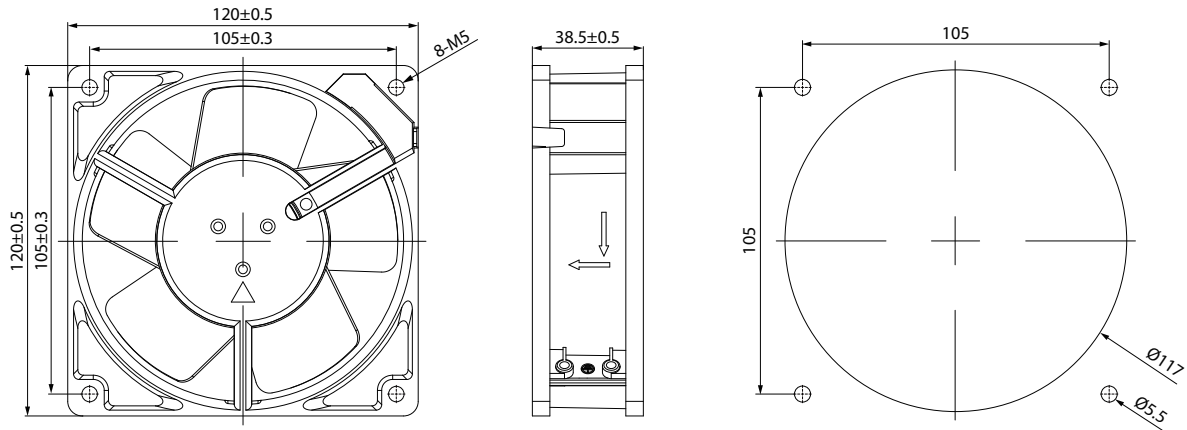
Full Metal

Fan Frame: Die-cast Aluminum(Black or Silver coating)  
 Fan Impeller: Metal  
 Operation Temp.: -30~80°C  
 Operation Voltage Range: 110V(±10%); 220V(±10%)  
 Dielectric Strength: 5mA Max.at 1500V for 1 min  
 Safety: Impedance Protected  
 Termination: Lead Wire; Pin  
 Weight: 600g  
 Protection Class: IP44  
 Insulation: Class A  
 Option: Customized high temperature 150°C; IP55/IP67

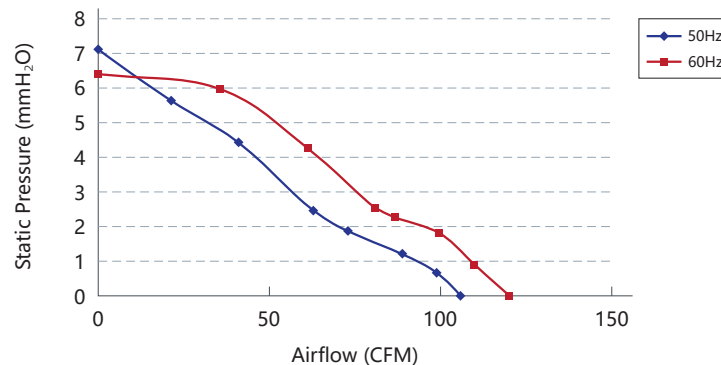
## Specifications

Model	Bearing	Blades	Voltage	Freq.	Current	Power	Speed	Noise	Max. Air Flow	Pressure	
No.			VAC	Hz	A	W	RPM	dB(A)	m³/h	CFM	mmH <sub>2</sub> O
GW120B1	Ball	5	100/125	50/60	0.22/0.2	20/18	2600/3000	46/50	180.2/204	106/120	7.1/6.4
GW120B2	Ball	5	200/240	50/60	0.12/0.11	20/18	2600/3000	46/50	180.2/204	106/120	7.1/6.4
GW120B3	Ball	5	360/400	50/60	0.06/0.05	20/18	2600/3000	46/50	180.2/204	106/120	7.1/6.4

## Engineering Drawing (mm)



## Air Performance



# GW170E

170x150x55mm (6.7"x5.9"x2.1")



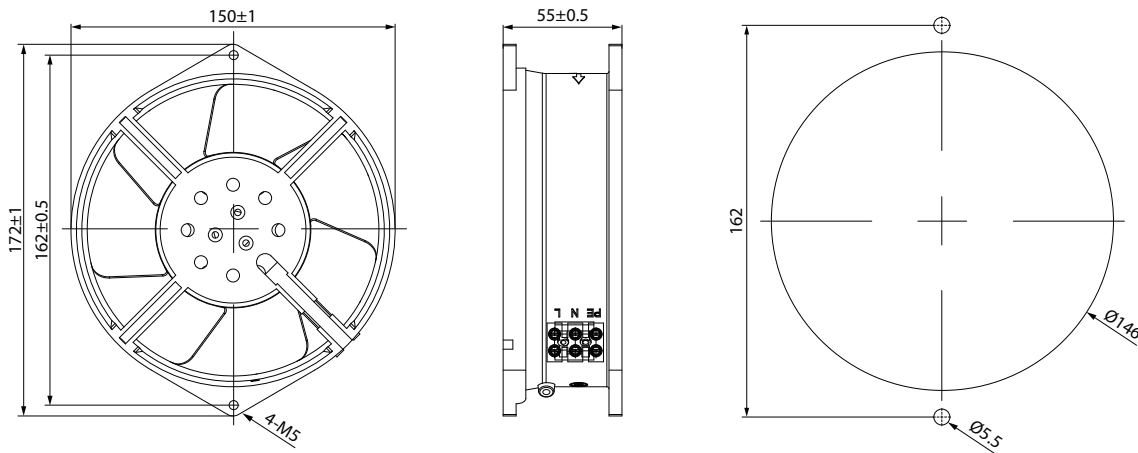
Full Metal

Fan Frame: Die-cast Aluminum(Black or Silver coating)  
 Fan Impeller: Metal  
 Operation Temp.: -30~80°C  
 Operation Voltage Range: 110V(±10%); 220V(±10%)  
 Dielectric Strength: 5mA Max.at 1500V for 1 min  
 Safety: Impedance Protected  
 Termination: Lead Wire; Pin  
 Weight: 1200g  
 Protection Class: IP44  
 Insulation: Class A  
 Option: Customized high temperature 150°C; IP55/IP67

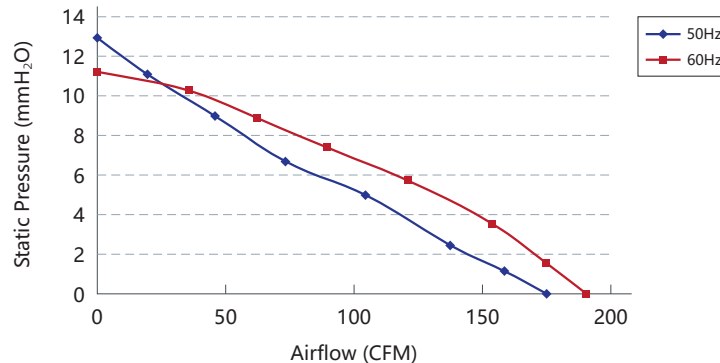
## Specifications

Model	Bearing	Blades	Voltage	Freq.	Current	Power	Speed	Noise	Max. Air Flow	Pressure	
No.			VAC	Hz	A	W	RPM	dB(A)	m³/h	CFM	mmH <sub>2</sub> O
GW170E1	Ball	7	100/125	50/60	0.55/0.58	37/35	2800/3100	48/52	297.5/323	175/190	12.9/11.2
GW170E2	Ball	7	200/240	50/60	0.22/0.2	37/35	2800/3100	48/52	297.5/323	175/190	12.9/11.2
GW170E3	Ball	7	360/400	50/60	0.12/0.1	37/35	2800/3100	48/52	297.5/323	175/190	12.9/11.2

## Engineering Drawing (mm)



## Air Performance



# GW205Z

206x206x72mm (8.1"x8.1"x2.8")



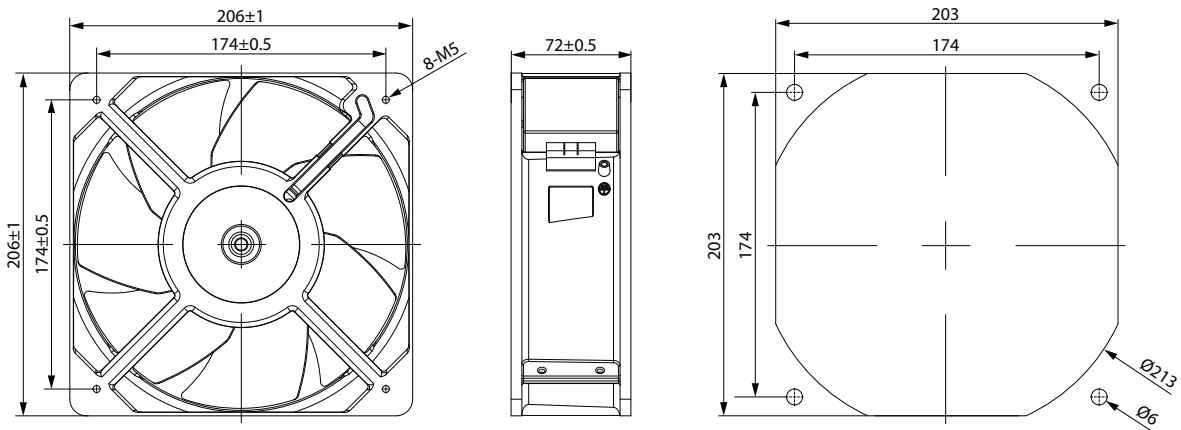
Full Metal

Fan Frame: Die-cast Aluminum(Black or Silver coating)  
 Fan Impeller: Metal  
 Operation Temp.: -30~80°C  
 Operation Voltage Range: 110V(±10%); 220V(±10%)  
 Dielectric Strength: 5mA Max.at 1500V for 1 min  
 Safety: Impedance Protected  
 Termination: Lead Wire; Pin  
 Weight: 2200g  
 Protection Class: IP44  
 Insulation: Class A  
 Option: Customized high temperature 150°C; IP55/IP67

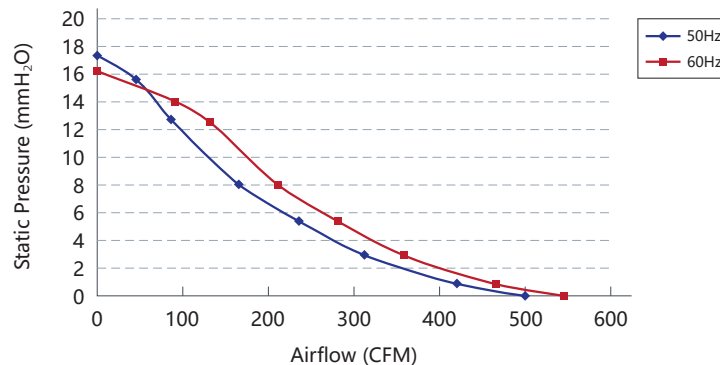
## Specifications

Model	Bearing	Blades	Voltage	Freq.	Current	Power	Speed	Noise	Max. Air Flow	Pressure	Capacitor	
No.			VAC	Hz	A	W	RPM	dB(A)	m³/h	CFM	mmH <sub>2</sub> O	uf
GW205Z1	Ball	7	100/125	50/60	0.55/0.65	55/65	2600/2800	59/61	850/926.5	500/545	17.3/16.2	4uf/250v
GW205Z2	Ball	7	200/240	50/60	0.3/0.35	55/65	2600/2800	59/61	850/926.5	500/545	17.3/16.2	2.2uf/450v
GW205Z3	Ball	7	360/400	50/60	0.22/0.2	55/65	2600/2800	59/61	850/926.5	500/545	17.3/16.2	0.7uf/630v

## Engineering Drawing (mm)



## Air Performance



# GW225H

225x225x80mm (8.9"x8.9"x3.1")



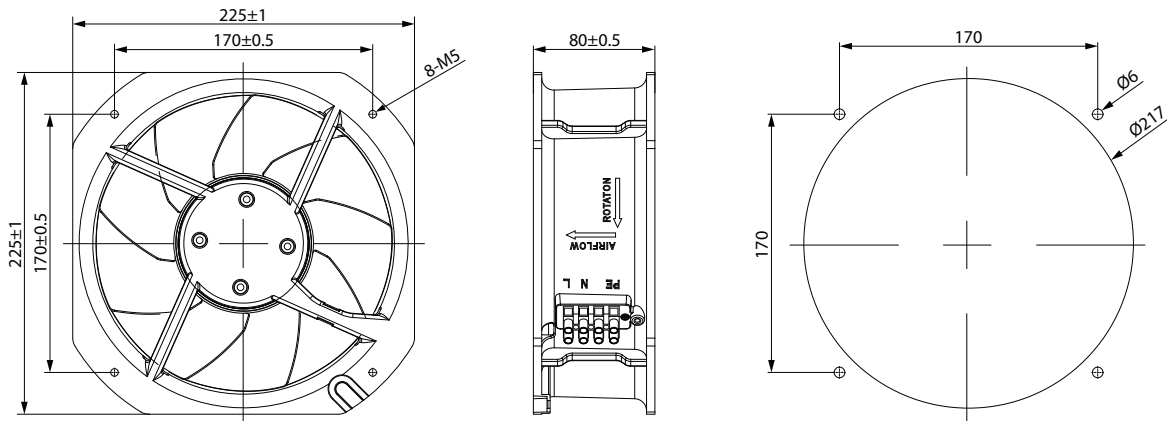
Full Metal

Fan Frame: Die-cast Aluminum(Black or Silver coating)  
 Fan Impeller: Metal  
 Operation Temp.: -30~80°C  
 Operation Voltage Range: 110V(±10%); 220V(±10%)  
 Dielectric Strength: 5mA Max.at 1500V for 1 min  
 Safety: Impedance Protected  
 Termination: Lead Wire; Pin  
 Weight: 2200g  
 Protection Class: IP44  
 Insulation: Class A  
 Option: Customized high temperature 150°C; IP55/IP67

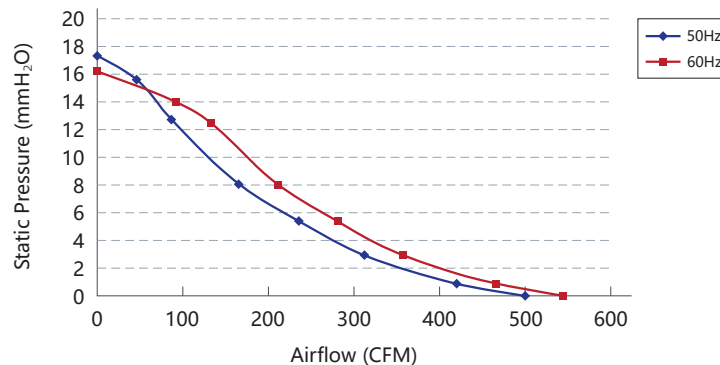
## Specifications

Model	Bearing	Blades	Voltage	Freq.	Current	Power	Speed	Noise	Max. Air Flow	Pressure	Capacitor	
No.			VAC	Hz	A	W	RPM	dB(A)	m³/h	CFM	mmH₂O	uf
GW225H1	Ball	9	100/125	50/60	0.55/0.65	55/65	2600/2800	59/61	850/926.5	500/545	17.3/16.2	4uf/250v
GW225H2	Ball	9	200/240	50/60	0.3/0.35	55/65	2600/2800	59/61	850/926.5	500/545	17.3/16.2	2.2uf/450v
GW225H3	Ball	9	360/400	50/60	0.22/0.2	55/65	2600/2800	59/61	850/926.5	500/545	17.3/16.2	0.7uf/630v

## Engineering Drawing (mm)



## Air Performance



# GW250K

Ø254x89mm (10"x3.5")



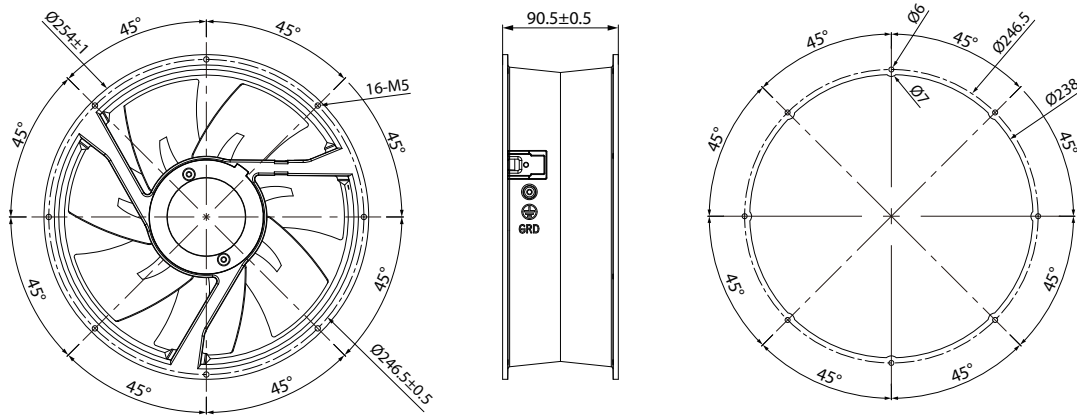
Full Metal

Fan Frame: Die-cast Aluminum(Black or Silver coating)  
 Fan Impeller: Metal  
 Operation Temp.: -30~80°C  
 Operation Voltage Range: 110V(±10%); 220V(±10%)  
 Dielectric Strength: 5mA Max.at 1500V for 1 min  
 Safety: Impedance Protected  
 Termination: Lead Wire; Pin  
 Weight: 2800g  
 Protection Class: IP44  
 Insulation: Class A  
 Option: Customized high temperature 150°C; IP55/IP67

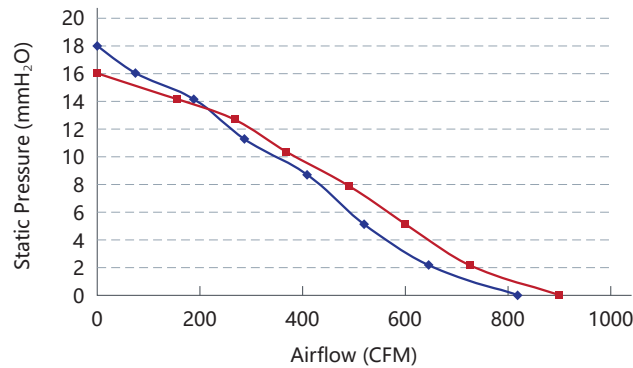
## Specifications

Model	Bearing	Blades	Voltage	Freq.	Current	Power	Speed	Noise	Max. Air Flow	Pressure	Capacitor	
No.			VAC	Hz	A	W	RPM	dB(A)	m³/h	CFM	mmH <sub>2</sub> O	uf
GW250K1	Ball	7	100/125	50/60	0.9/1	100/130	2600/2800	65/68	1394/1530	820/900	18/16	6.0uf/450v
GW250K2	Ball	7	200/240	50/60	0.5/0.65	100/130	2600/2800	65/68	1394/1530	820/900	18/16	3.0uf/400v
GW250K3	Ball	7	360/400	50/60	0.25/0.27	100/130	2600/2800	65/68	1394/1530	820/900	18/16	1uf/630v

## Engineering Drawing (mm)



## Air Performance



# GW280H

280x280x80mm (11"x11"x3.1")



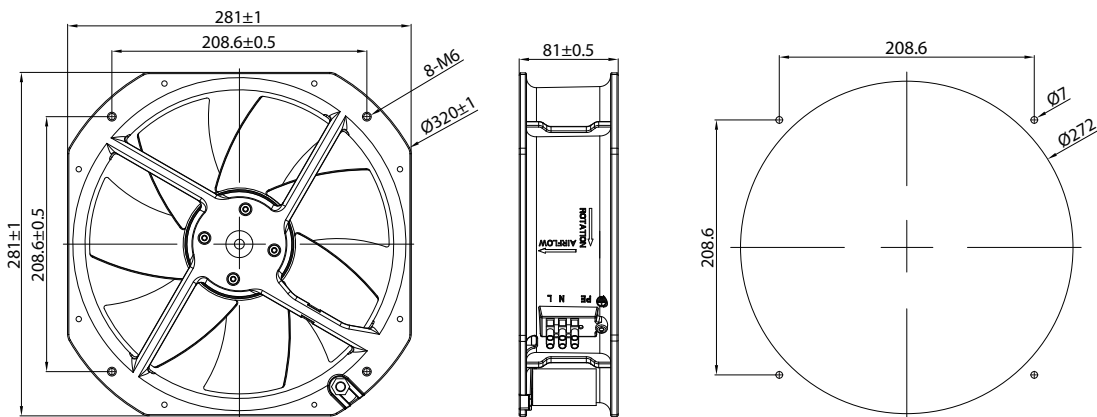
Full Metal

Fan Frame:	Die-cast Aluminum(Black or Silver coating)
Fan Impeller:	Metal
Operation Temp.:	-30~80°C
Operation Voltage Range:	110V(±10%); 220V(±10%)
Dielectric Strength:	5mA Max.at 1500V for 1 min
Safety:	Impedance Protected
Termination:	Lead Wire; Pin
Weight:	280g
Protection Class:	IP44
Insulation:	Class A
Option:	Customized high temperature 150°C; IP55/IP67

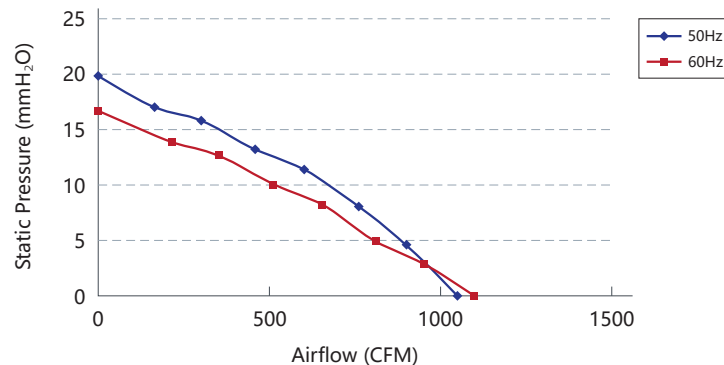
## Specifications

Model	Bearing	Blades	Voltage	Freq.	Current	Power	Speed	Noise	Max. Air Flow	Pressure	Capacitor	
No.			VAC	Hz	A	W	RPM	dB(A)	m <sup>3</sup> /h	CFM	mmH <sub>2</sub> O	uf
GW280H1	Ball	7	100/125	50/60	1/1.1	110/150	2550/2700	69/71	1785/1870	1050/1100	19.8/16.8	10uf/250v
GW280H2	Ball	7	200/240	50/60	0.55/0.65	110/150	2550/2700	69/71	1785/1870	1050/1100	19.8/16.8	4uf/450v
GW280H3	Ball	7	360/400	50/60	0.3/0.35	110/150	2550/2700	69/71	1785/1870	1050/1100	19.8/16.8	1uf/630v

## Engineering Drawing (mm)



## Air Performance



# GW280K

280x280x90mm (11"x11"x3.5")



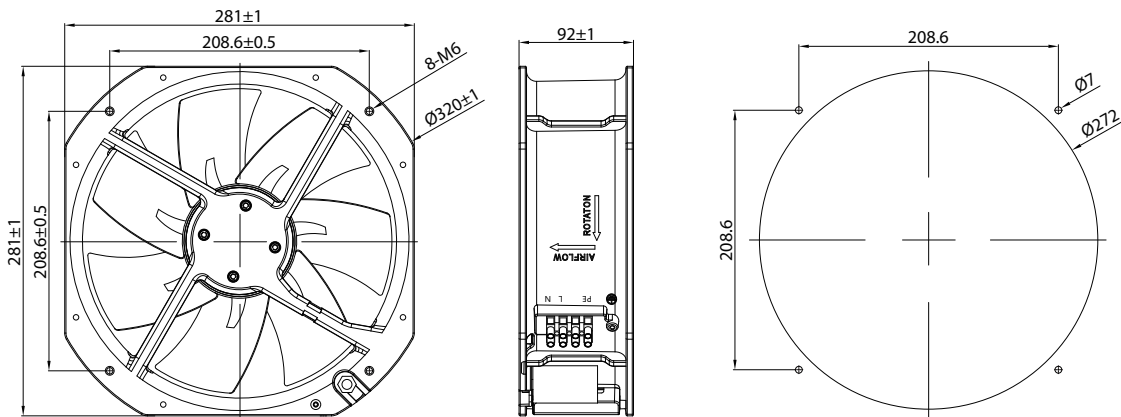
Full Metal

Fan Frame:	Die-cast Aluminum(Black or Silver coating)
Fan Impeller:	Metal
Operation Temp.:	-30~80°C
Operation Voltage Range:	110V(±10%); 220V(±10%)
Dielectric Strength:	5mA Max.at 1500V for 1 min
Safety:	Impedance Protected
Termination:	Lead Wire; Pin
Weight:	2800g
Protection Class:	IP44
Insulation:	Class A
Option:	Customized high temperature 150°C; IP55/IP67

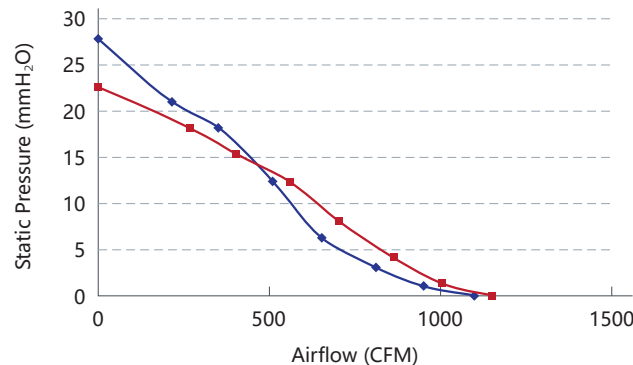
## Specifications

Model	Bearing	Blades	Voltage	Freq.	Current	Power	Speed	Noise	Max. Air Flow	Pressure	Capacitor	
No.			VAC	Hz	A	W	RPM	dB(A)	m³/h	CFM	mmH <sub>2</sub> O	uf
GW280K1	Ball	7	100/125	50/60	1.1/1.2	110/150	2700/3000	70/72	1870/1955	1100/1150	27.8/22.6	10uf/250v
GW280K2	Ball	7	200/240	50/60	0.6/0.7	110/150	2700/3000	70/72	1870/1955	1100/1150	27.8/22.6	4uf/450v
GW280K3	Ball	7	360/400	50/60	0.35/0.37	110/150	2700/3000	70/72	1870/1955	1100/1150	27.8/22.6	1uf/630v

## Engineering Drawing (mm)



## Air Performance



## GN Series - Classic AC Axial Fan

- Super stability
- Cost-effective





# GN80A

80x80x25mm (3.1"x3.1"x1")

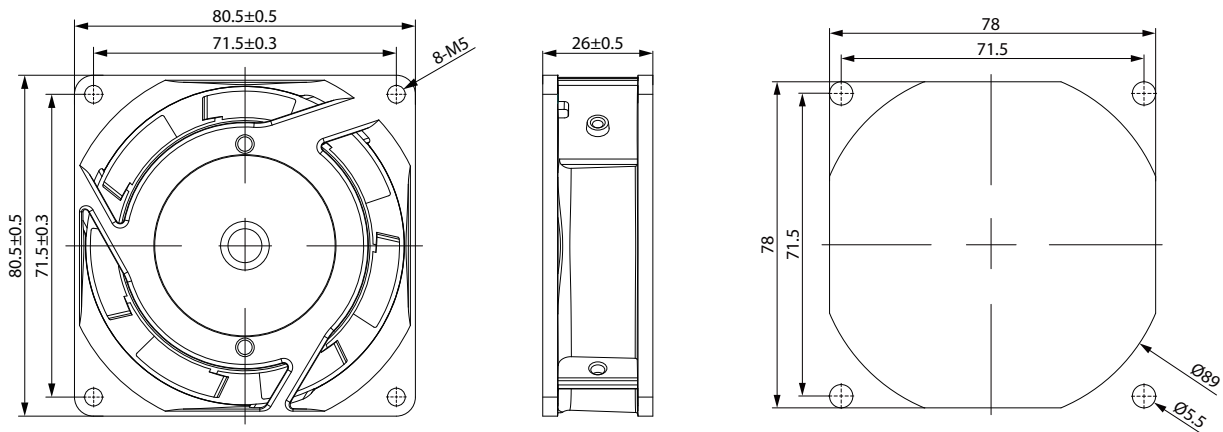


Fan Frame:	Die-cast Aluminum(Black or Silver coating)
Fan Impeller:	Plastic
Operation Temp.:	-30~60°C
Operation Voltage Range:	110V(±10%); 220V(±10%)
Dielectric Strength:	5mA Max.at 1500V for 1 min
Safety:	Impedance Protected
Termination:	Lead Wire; Pin
Weight:	260g
Protection Class:	IP44
Insulation:	Class A

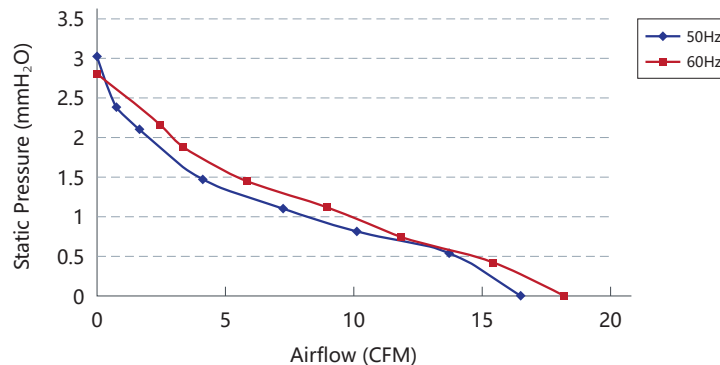
## Specifications

Model	Bearing	Blades	Voltage	Freq.	Current	Power	Speed	Noise	Max. Air Flow	Pressure	
No.			VAC	Hz	A	W	RPM	dB(A)	m³/h	CFM	mmH <sub>2</sub> O
GN80A1	Ball	7	100/125	50/60	0.12/0.11	12/11	2500/2800	26/28	28/30.9	16.5/18.2	3.02/2.8
GN80A2	Ball	7	200/240	50/60	0.07/0.06	12/11	2500/2800	26/28	28/30.9	16.5/18.2	3.02/2.8
GN80A3	Ball	7	360/400	50/60	0.05/0.04	12/11	2500/2800	26/28	28/30.9	16.5/18.2	3.02/2.8

## Engineering Drawing (mm)



## Air Performance



# GN80B

80x80x38mm (3.1"x3.1"x1.5")

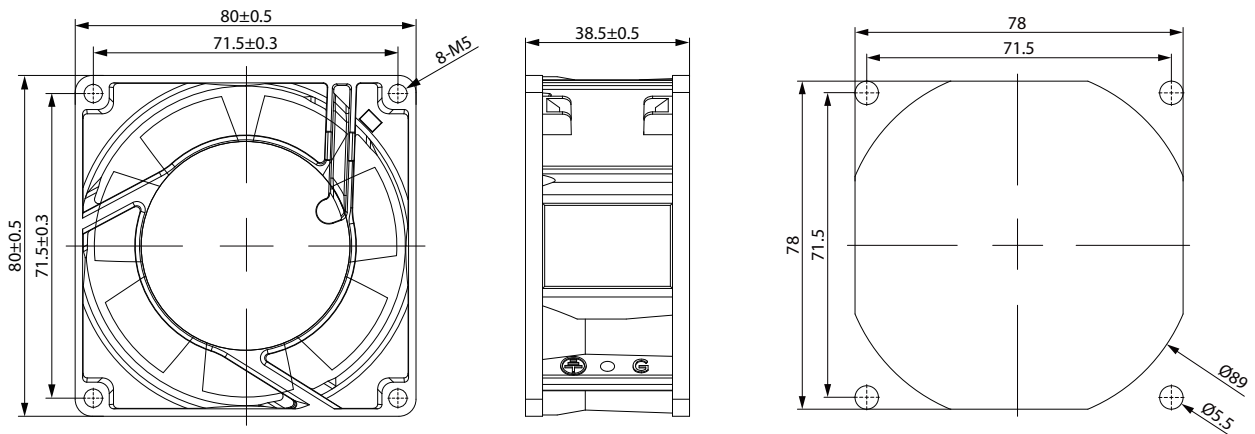


Fan Frame: Die-cast Aluminum(Black or Silver coating)  
 Fan Impeller: Plastic  
 Operation Temp.: -30~60°C  
 Operation Voltage Range: 110V(±10%); 220V(±10%)  
 Dielectric Strength: 5mA Max.at 1500V for 1 min  
 Safety: Impedance Protected  
 Termination: Lead Wire; Pin  
 Weight: 275g  
 Protection Class: IP44  
 Insulation: Class A  
 Option: Customized Dual Voltage 110V/220V

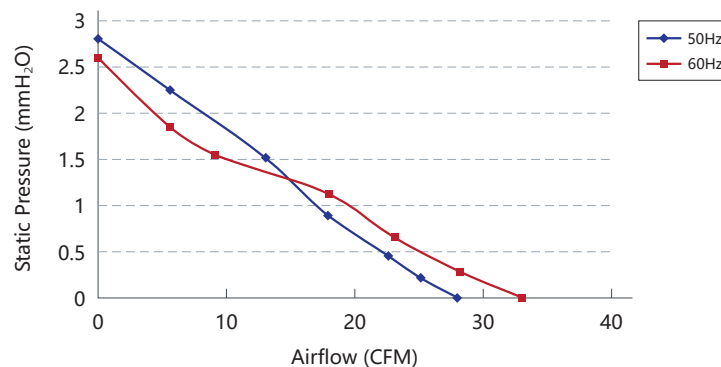
## Specifications

Model	Bearing	Blades	Voltage	Freq.	Current	Power	Speed	Noise	Max. Air Flow	Pressure	
No.			VAC	Hz	A	W	RPM	dB(A)	m³/h	CFM	mmH <sub>2</sub> O
GN80B1	Ball	7	100/125	50/60	0.16/0.14	13/12	2300/2500	28/32	47.6/56.1	28/33	2.8/2.6
GN80B2	Ball	7	200/240	50/60	0.09/0.08	13/12	2300/2500	28/32	47.6/56.1	28/33	2.8/2.6
GN80B3	Ball	7	360/400	50/60	0.05/0.04	13/12	2300/2500	28/32	47.6/56.1	28/33	2.8/2.6

## Engineering Drawing (mm)



## Air Performance



# GN92A

92x92x25mm (3.6"x3.6"x1")

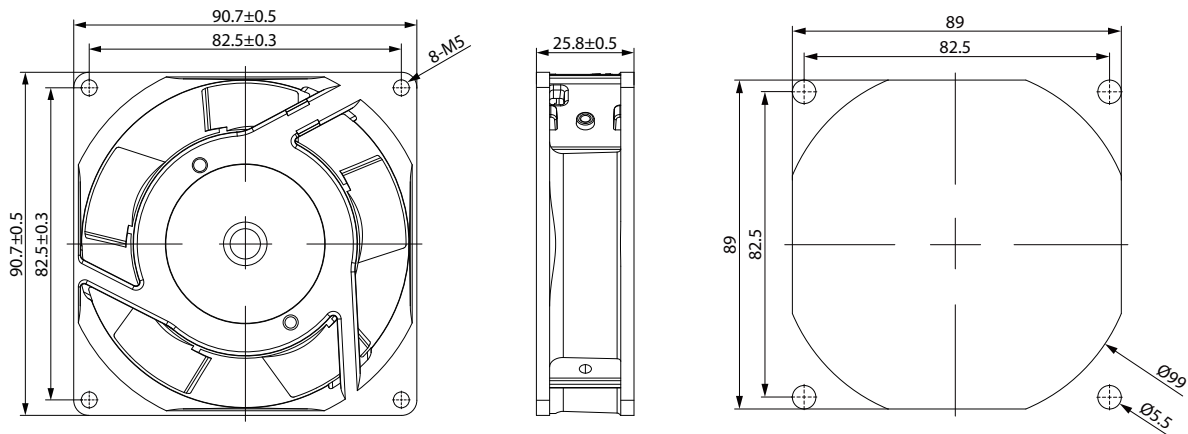


Fan Frame:	Die-cast Aluminum(Black or Silver coating)
Fan Impeller:	Plastic
Operation Temp.:	-30~60°C
Operation Voltage Range:	110V(±10%); 220V(±10%)
Dielectric Strength:	5mA Max.at 1500V for 1 min
Safety:	Impedance Protected
Termination:	Lead Wire; Pin
Weight:	270g
Protection Class:	IP44
Insulation:	Class A

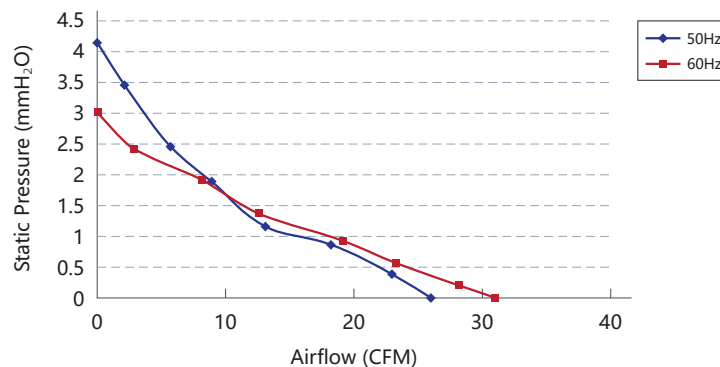
## Specifications

Model	Bearing	Blades	Voltage	Freq.	Current	Power	Speed	Noise	Max. Air Flow	Pressure	
No.			VAC	Hz	A	W	RPM	dB(A)	m³/h	CFM	mmH <sub>2</sub> O
GN92A1	Ball	5	100/125	50/60	0.12/0.11	12/11	2350/2700	34/36	44.2/52.7	26/31	4.14/3.01
GN92A2	Ball	5	200/240	50/60	0.07/0.06	12/11	2350/2700	34/36	44.2/52.7	26/31	4.14/3.01
GN92A3	Ball	5	360/400	50/60	0.05/0.04	12/11	2350/2700	34/36	44.2/52.7	26/31	4.14/3.01

## Engineering Drawing (mm)



## Air Performance



# GN92B

92x92x38mm (3.6"x3.6"x1.5")

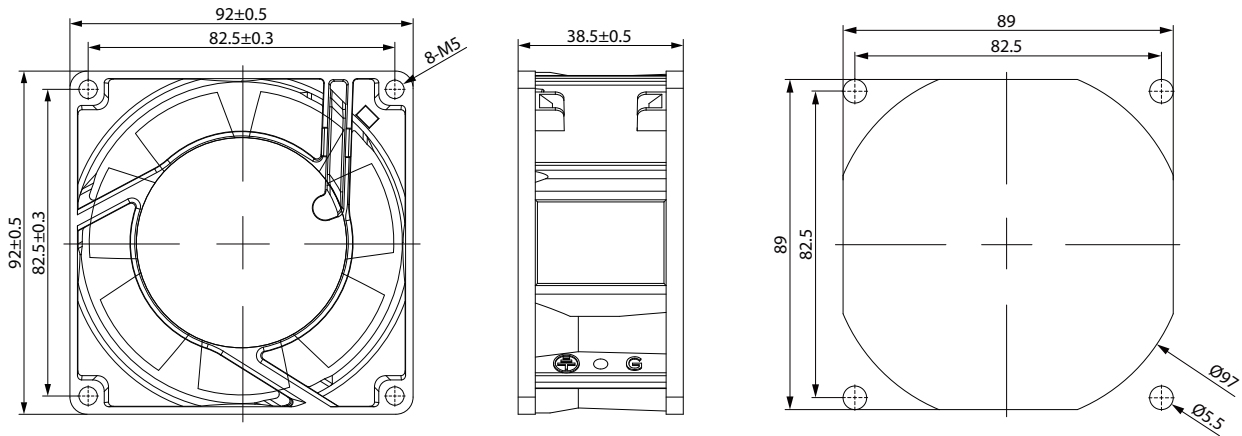


Fan Frame: Die-cast Aluminum(Black or Silver coating)  
 Fan Impeller: Plastic  
 Operation Temp.: -30~60°C  
 Operation Voltage Range: 110V(±10%); 220V(±10%)  
 Dielectric Strength: 5mA Max.at 1500V for 1 min  
 Safety: Impedance Protected  
 Termination: Lead Wire; Pin  
 Weight: 290g  
 Protection Class: IP44  
 Insulation: Class A  
 Option: Customized Dual Voltage 110V/220V

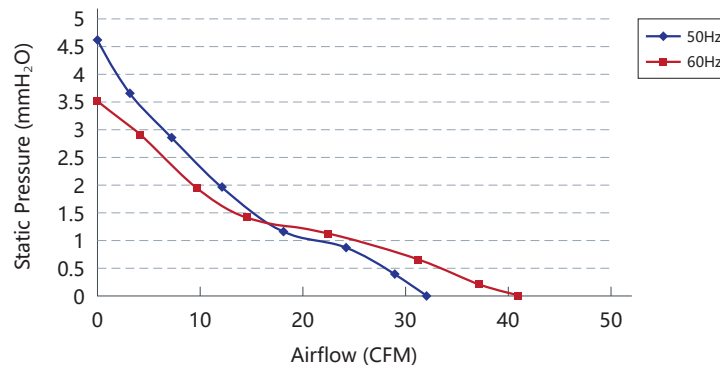
## Specifications

Model	Bearing	Blades	Voltage	Freq.	Current	Power	Speed	Noise	Max. Air Flow	Pressure	
No.			VAC	Hz	A	W	RPM	dB(A)	m³/h	CFM	mmH <sub>2</sub> O
GN92B1	Ball	7	100/125	50/60	0.16/0.14	13/12	2300/2500	31/35	54.4/69.7	32/41	4.6/3.5
GN92B2	Ball	7	200/240	50/60	0.09/0.08	13/12	2300/2500	31/35	54.4/69.7	32/41	4.6/3.5
GN92B3	Ball	7	360/400	50/60	0.05/0.04	13/12	2300/2500	31/35	54.4/69.7	32/41	4.6/3.5

## Engineering Drawing (mm)



## Air Performance



# GN110A

110x110x25mm (4.3"x4.3"x1")

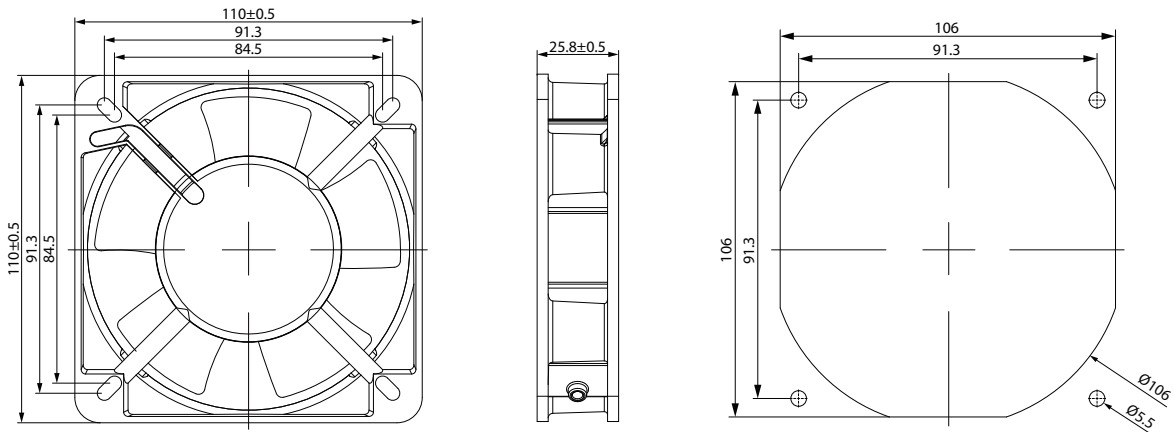


Fan Frame: Die-cast Aluminum(Black or Silver coating)  
 Fan Impeller: Plastic  
 Operation Temp.: -30~60°C  
 Operation Voltage Range: 110V(±10%); 220V(±10%)  
 Dielectric Strength: 5mA Max.at 1500V for 1 min  
 Safety: Impedance Protected  
 Termination: Lead Wire; Pin  
 Weight: 310g  
 Protection Class: IP44  
 Insulation: Class A

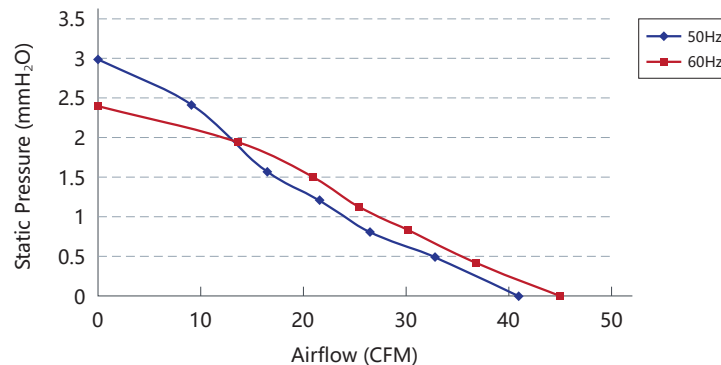
## Specifications

Model	Bearing	Blades	Voltage	Freq.	Current	Power	Speed	Noise	Max. Air Flow	Pressure	
No.			VAC	Hz	A	W	RPM	dB(A)	m³/h	CFM	mmH <sub>2</sub> O
GN110A1	Ball	5	100/125	50/60	0.12/0.11	12/11	2000/2200	36/38	69.7/76.5	41/45	2.99/2.4
GN110A2	Ball	5	200/240	50/60	0.07/0.06	12/11	2000/2200	36/38	69.7/76.5	41/45	2.99/2.4
GN110A3	Ball	5	360/400	50/60	0.05/0.04	12/11	2000/2200	36/38	69.7/76.5	41/45	2.99/2.4

## Engineering Drawing (mm)



## Air Performance



# GN120A-5

120x120x25mm (4.7"x4.7"x1")

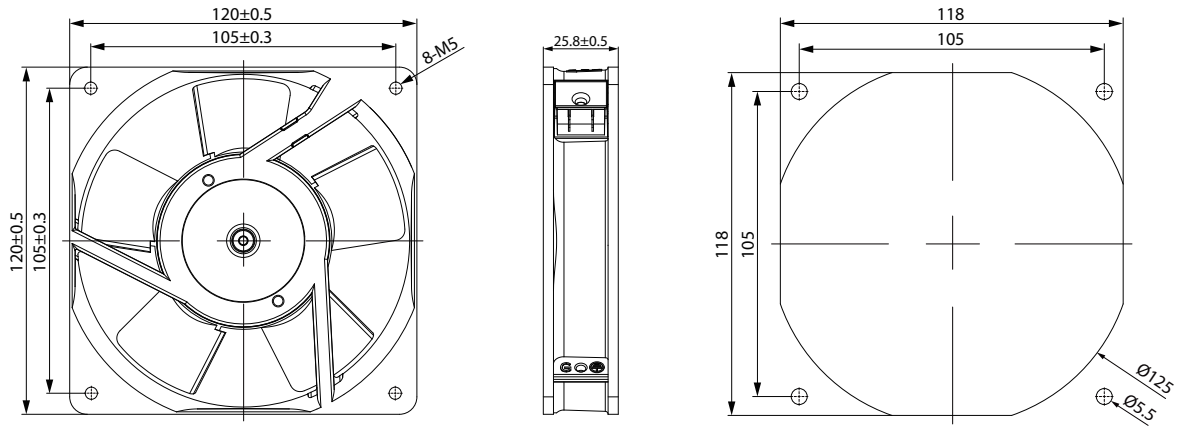


Fan Frame: Die-cast Aluminum(Black or Silver coating)  
 Fan Impeller: Plastic  
 Operation Temp.: -30~60°C  
 Operation Voltage Range: 110V(±10%); 220V(±10%)  
 Dielectric Strength: 5mA Max.at 1500V for 1 min  
 Safety: Impedance Protected  
 Termination: Lead Wire; Pin  
 Weight: 350g  
 Protection Class: IP44  
 Insulation: Class A

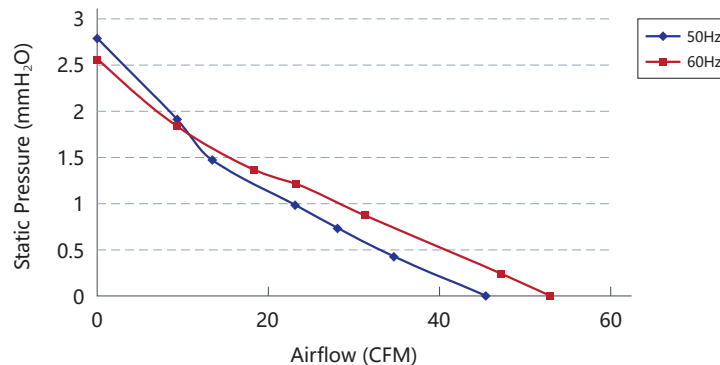
## Specifications

Model	Bearing	Blades	Voltage	Freq.	Current	Power	Speed	Noise	Max. Air Flow	Pressure	
No.			VAC	Hz	A	W	RPM	dB(A)	m³/h	CFM	mmH <sub>2</sub> O
GN120A1	Ball	5	100/125	50/60	0.12/0.11	12/11	1800/2000	39/41	76.5/89.7	45/52.8	2.79/2.56
GN120A2	Ball	5	200/240	50/60	0.07/0.06	12/11	1800/2000	39/41	76.5/89.7	45/52.8	2.79/2.56
GN120A3	Ball	5	360/400	50/60	0.05/0.04	12/11	1800/2000	39/41	76.5/89.7	45/52.8	2.79/2.56

## Engineering Drawing (mm)



## Air Performance



# GN120A-7

120x120x25mm (4.7"x4.7"x1")

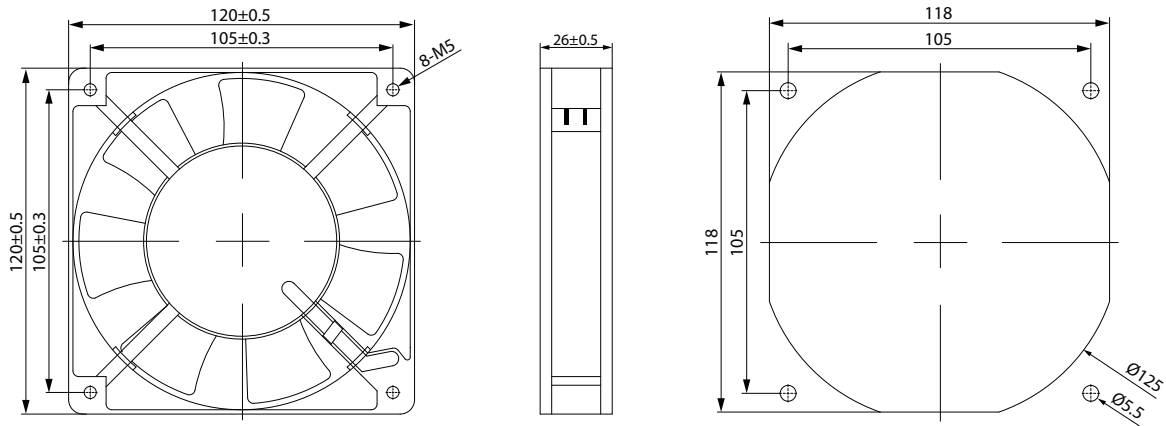


Fan Frame: Die-cast Aluminum(Black or Silver coating)  
 Fan Impeller: Plastic  
 Operation Temp.: -30~60°C  
 Operation Voltage Range: 110V(±10%); 220V(±10%)  
 Dielectric Strength: 5mA Max.at 1500V for 1 min  
 Safety: Impedance Protected  
 Termination: Lead Wire; Pin  
 Weight: 360g  
 Protection Class: IP44  
 Insulation: Class A

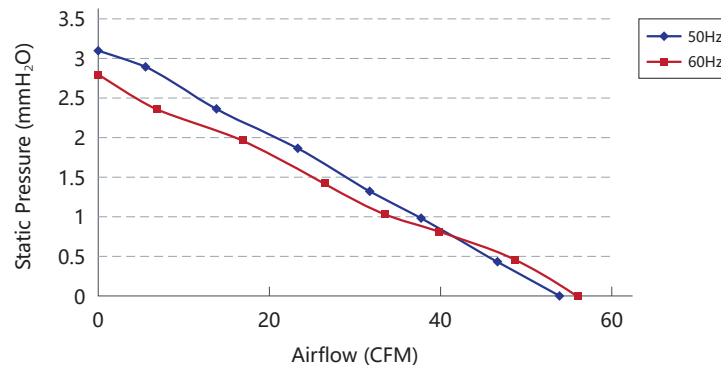
## Specifications

Model	Bearing	Blades	Voltage	Freq.	Current	Power	Speed	Noise	Max. Air Flow	Pressure	
No.			VAC	Hz	A	W	RPM	dB(A)	m³/h	CFM	mmH <sub>2</sub> O
GN120A1	Ball	7	100/125	50/60	0.14/0.12	13	2000/2200	39/41	91.8/95.2	54/56	3.1/2.8
GN120A2	Ball	7	200/240	50/60	0.08/0.07	13	2000/2200	39/41	91.8/95.2	54/56	3.1/2.8
GN120A3	Ball	7	360/400	50/60	0.05/0.04	13	2000/2200	39/41	91.8/95.2	54/56	3.1/2.8

## Engineering Drawing (mm)



## Air Performance



NEW



Alu. impeller

# GN120A Metal

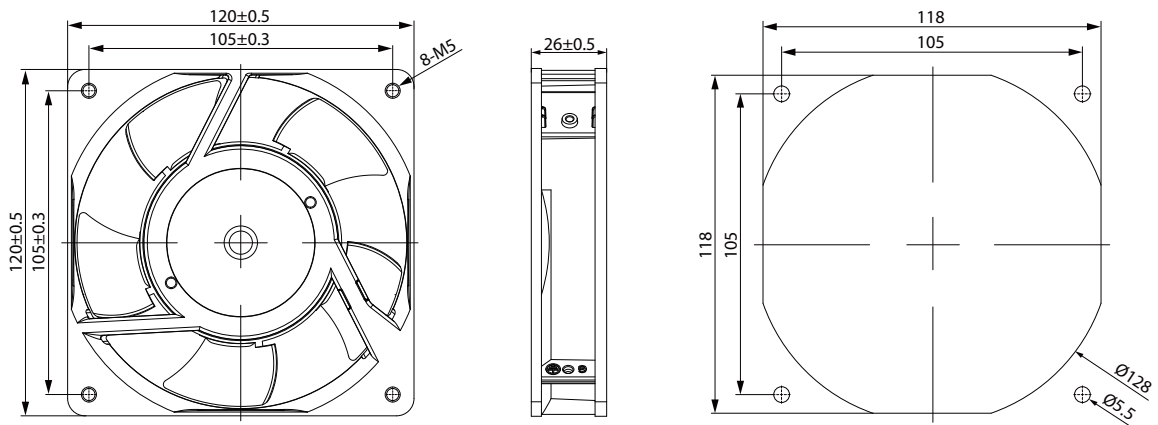
120x120x25mm (4.7"x4.7"x1")

Fan Frame:	Die-cast Aluminum(Black or Silver coating)
Fan Impeller:	Metal
Operation Temp.:	-30~60°C
Operation Voltage Range:	110V(±10%); 220V(±10%)
Dielectric Strength:	5mA Max.at 1500V for 1 min
Safety:	Impedance Protected
Termination:	Lead Wire; Pin
Weight:	370g
Protection Class:	IP44
Insulation:	Class F

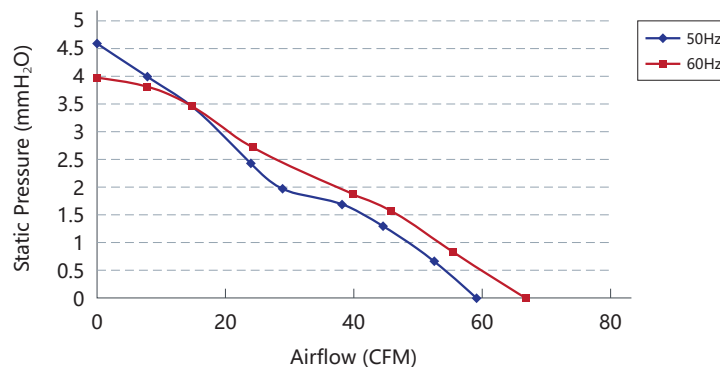
## Specifications

Model	Bearing	Blades	Voltage	Freq.	Current	Power	Speed	Noise	Max. Air Flow	Pressure	
No.			VAC	Hz	A	W	RPM	dB(A)	m³/h	CFM	mmH <sub>2</sub> O
GN120A1	Ball	5	100/125	50/60	0.16/0.14	14/13	2200/2400	39/41	100/113	59/67	4.6/4.0
GN120A2	Ball	5	200/240	50/60	0.1/0.08	14/13	2200/2400	39/41	100/113	59/67	4.6/4.0
GN120A3	Ball	5	360/400	50/60	0.06/0.05	14/13	2200/2400	39/41	100/113	59/67	4.6/4.0

## Engineering Drawing (mm)



## Air Performance





# GN120B-5

120x120x38mm (4.7"x4.7"x1.5")

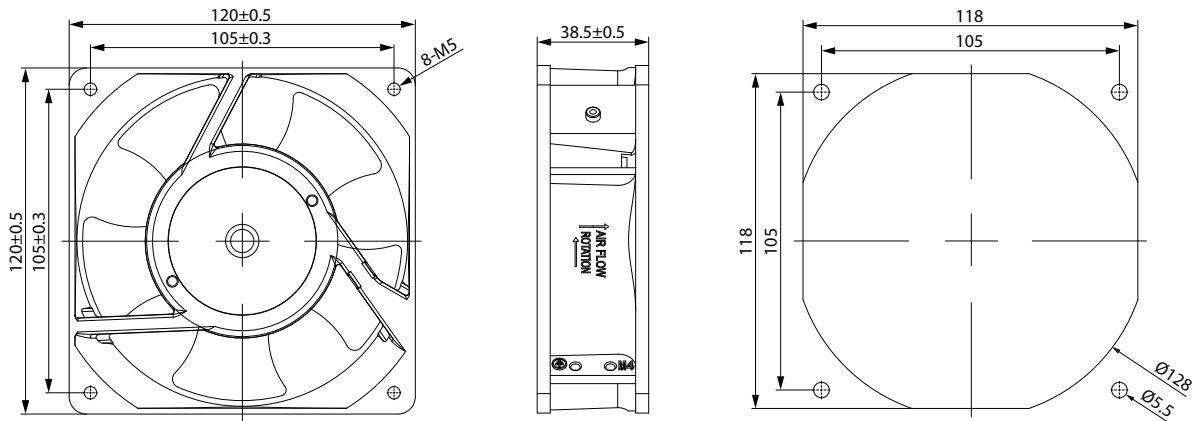


Fan Frame:	Die-cast Aluminum(Black or Silver coating)
Fan Impeller:	Plastic
Operation Temp.:	-30~60°C
Operation Voltage Range:	110V(±10%); 220V(±10%)
Dielectric Strength:	5mA Max.at 1500V for 1 min
Safety:	Impedance Protected
Termination:	Lead Wire; Pin
Weight:	475g
Protection Class:	IP44
Insulation:	Class A
Option:	Customized Dual Voltage 110V/220V

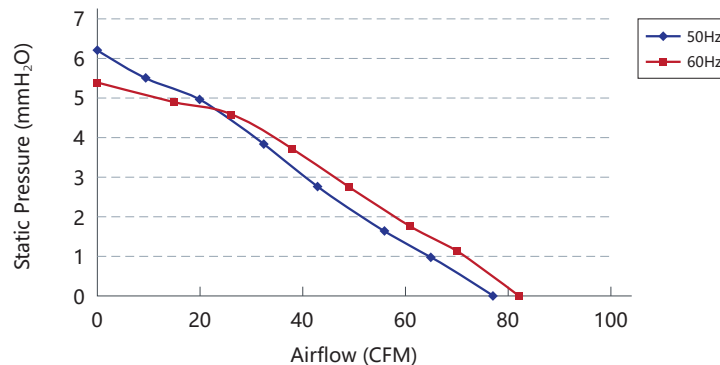
## Specifications

Model	Bearing	Blades	Voltage	Freq.	Current	Power	Speed	Noise	Max. Air Flow	Pressure	
No.			VAC	Hz	A	W	RPM	dB(A)	m³/h	CFM	mmH <sub>2</sub> O
GN120B1	Ball	5	100/125	50/60	0.24/0.22	19/18	2600/2900	42/44	130.9/139.4	77/82	6.2/5.4
GN120B2	Ball	5	200/240	50/60	0.12/0.11	19/18	2600/2900	42/44	130.9/139.4	77/82	6.2/5.4
GN120B3	Ball	5	360/400	50/60	0.09/0.08	19/18	2600/2900	42/44	130.9/139.4	77/82	6.2/5.4

## Engineering Drawing (mm)



## Air Performance



# GN120B-7

120x120x38mm (4.7"x4.7"x1.5")

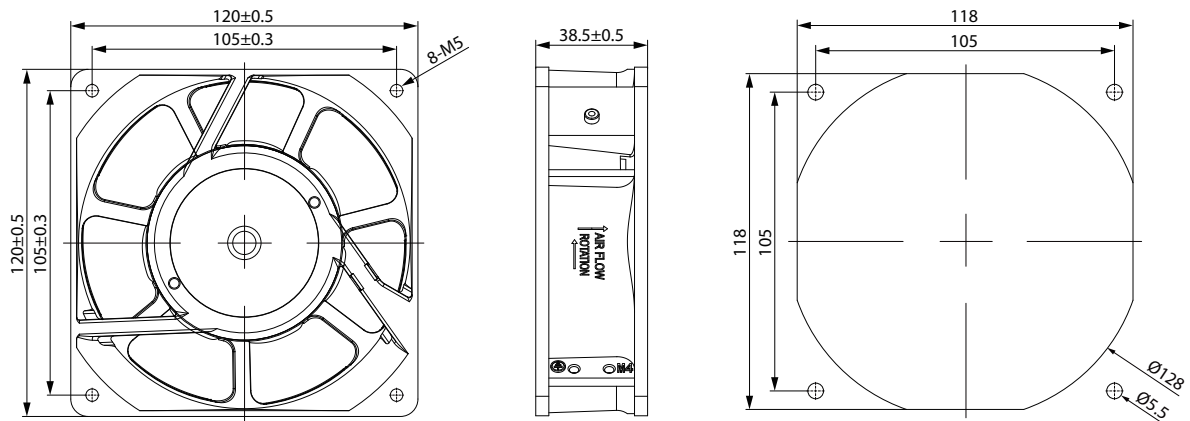


Fan Frame:	Die-cast Aluminum(Black or Silver coating)
Fan Impeller:	Plastic
Operation Temp.:	-30~60°C
Operation Voltage Range:	110V(±10%); 220V(±10%)
Dielectric Strength:	5mA Max.at 1500V for 1 min
Safety:	Impedance Protected
Termination:	Lead Wire; Pin
Weight:	490g
Protection Class:	IP44
Insulation:	Class A
Option:	Customized Dual Voltage 110V/220V

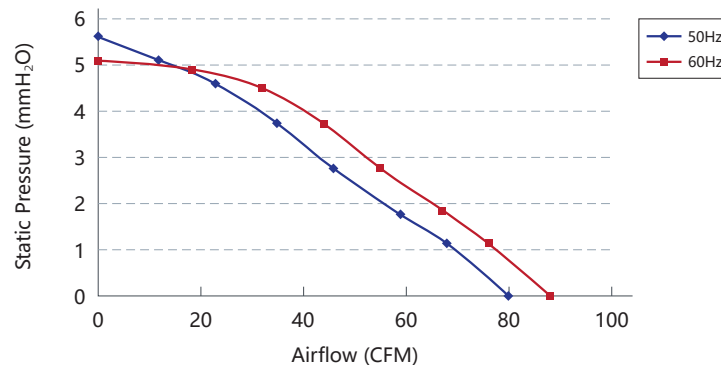
## Specifications

Model	Bearing	Blades	Voltage	Freq.	Current	Power	Speed	Noise	Max. Air Flow	Pressure	
No.			VAC	Hz	A	W	RPM	dB(A)	m³/h	CFM	mmH <sub>2</sub> O
GN120B1	Ball	7	100/125	50/60	0.24/0.22	19/18	2500/2700	44/46	136/149.6	80/88	5.6/5.1
GN120B2	Ball	7	200/240	50/60	0.12/0.11	19/18	2500/2700	44/46	136/149.6	80/88	5.6/5.1
GN120B3	Ball	7	360/400	50/60	0.09/0.08	19/18	2500/2700	44/46	136/149.6	80/88	5.6/5.1

## Engineering Drawing (mm)



## Air Performance



NEW



Alu. impeller

# GN120B Metal

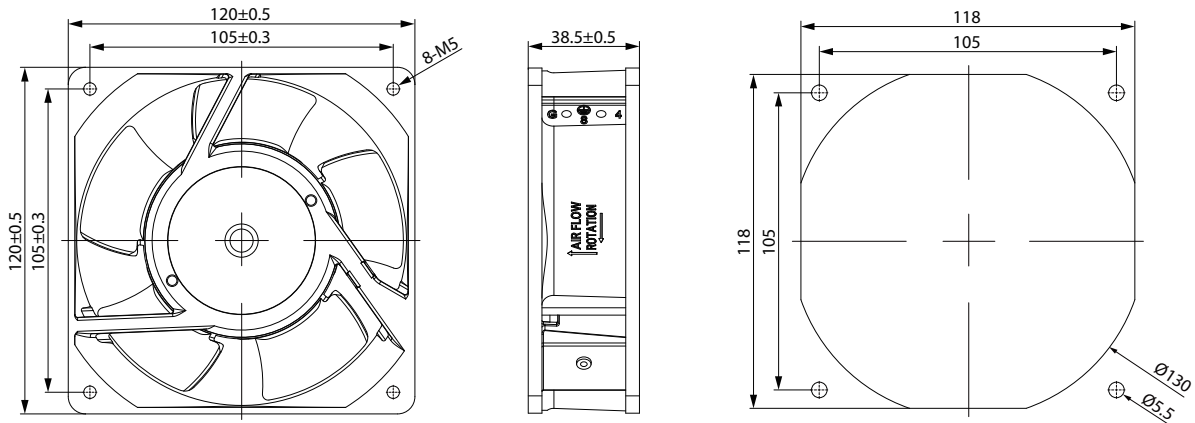
120x120x38mm (4.7"x4.7"x1.5")

Fan Frame:	Die-cast Aluminum(Black or Silver coating)
Fan Impeller:	Metal
Operation Temp.:	-30~60°C
Operation Voltage Range:	110V(±10%); 220V(±10%)
Dielectric Strength:	5mA Max.at 1500V for 1 min
Safety:	Impedance Protected
Termination:	Lead Wire; Pin
Weight:	500g
Protection Class:	IP44
Insulation:	Class F
Option:	Customized Dual Voltage 110V/220V

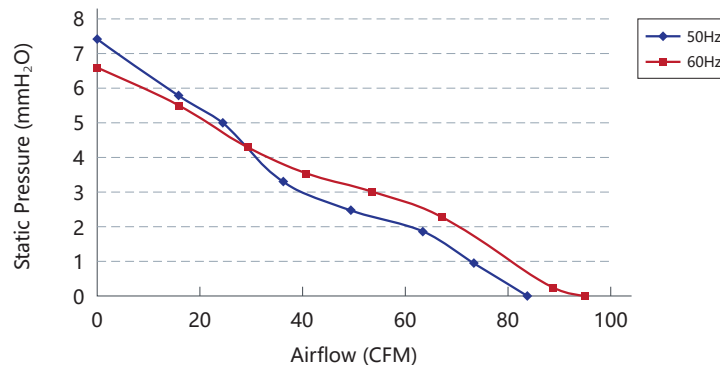
## Specifications

Model	Bearing	Blades	Voltage	Freq.	Current	Power	Speed	Noise	Max. Air Flow	Pressure	
No.			VAC	Hz	A	W	RPM	dB(A)	m³/h	CFM	mmH <sub>2</sub> O
GN120B1	Ball	5	100/125	50/60	0.24/0.22	19/18	2600/3000	43/45	142.8/161.5	84/95	7.4/6.6
GN120B2	Ball	5	200/240	50/60	0.12/0.11	19/18	2600/3000	43/45	142.8/161.5	84/95	7.4/6.6
GN120B3	Ball	5	360/400	50/60	0.09/0.08	19/18	2600/3000	43/45	142.8/161.5	84/95	7.4/6.6

## Engineering Drawing (mm)



## Air Performance



# GN135B

135x135x38mm (5.3"x5.3"x1.5")

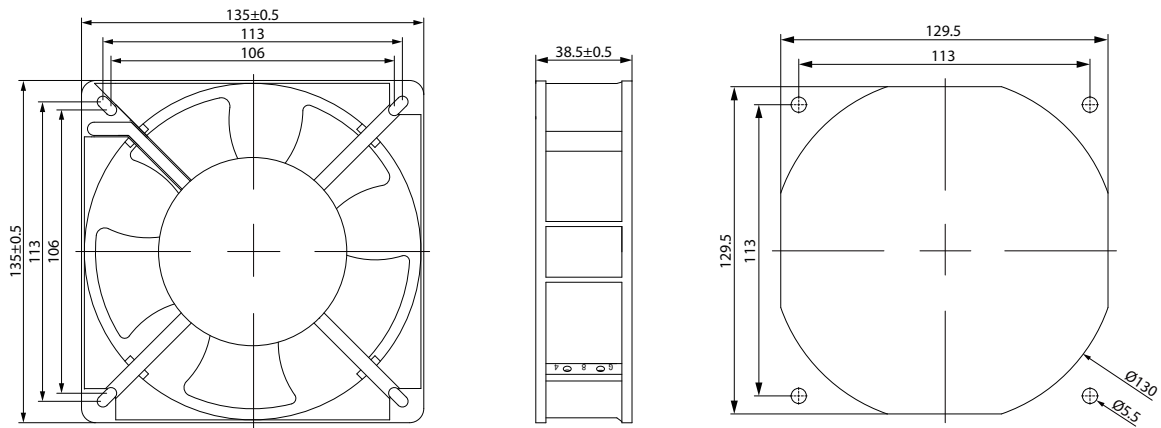


Fan Frame: Die-cast Aluminum(Black or Silver coating)  
 Fan Impeller: Plastic  
 Operation Temp.: -30~60°C  
 Operation Voltage Range: 110V(±10%); 220V(±10%)  
 Dielectric Strength: 5mA Max.at 1500V for 1 min  
 Safety: Impedance Protected  
 Termination: Lead Wire; Pin  
 Weight: 550g  
 Protection Class: IP44  
 Insulation: Class A

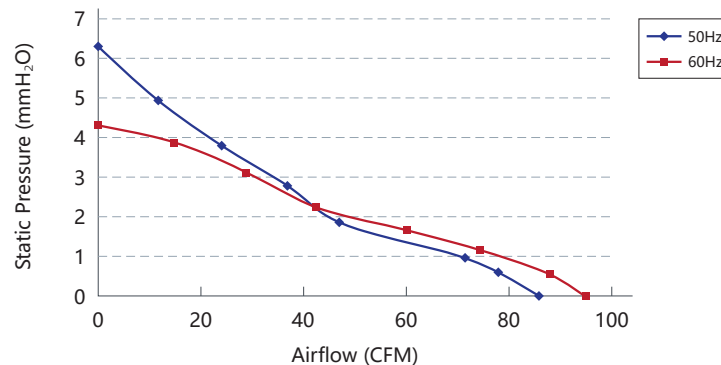
## Specifications

Model	Bearing	Blades	Voltage	Freq.	Current	Power	Speed	Noise	Max. Air Flow	Pressure	
No.			VAC	Hz	A	W	RPM	dB(A)	m³/h	CFM	mmH <sub>2</sub> O
GN135B1	Ball	5	100/125	50/60	0.24/0.22	20/18	2600/2800	45/47	146.2/161.5	86/95	6.3/4.3
GN135B2	Ball	5	200/240	50/60	0.12/0.11	20/18	2600/2800	45/47	146.2/161.5	86/95	6.3/4.3
GN135B3	Ball	5	360/400	50/60	0.09/0.08	20/18	2600/2800	45/47	146.2/161.5	86/95	6.3/4.3

## Engineering Drawing (mm)



## Air Performance



# GN150D-5

150x150x50mm (5.9"x5.9"x2")

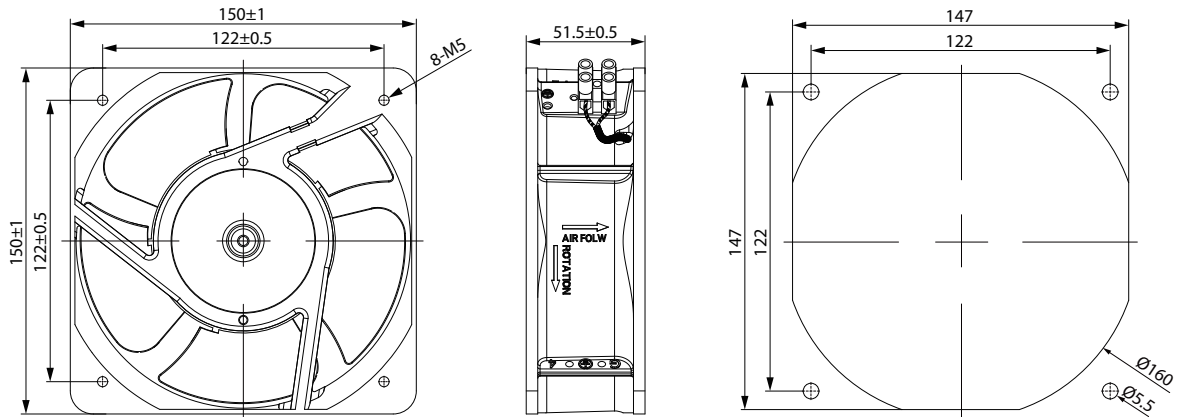


Fan Frame:	Die-cast Aluminum(Black or Silver coating)
Fan Impeller:	Plastic
Operation Temp.:	-30~60°C
Operation Voltage Range:	110V(±10%); 220V(±10%)
Dielectric Strength:	5mA Max.at 1500V for 1 min
Safety:	Impedance Protected
Termination:	Lead Wire; Pin
Weight:	800g
Protection Class:	IP44
Insulation:	Class A
Option:	Customized Dual Voltage 110V/220V

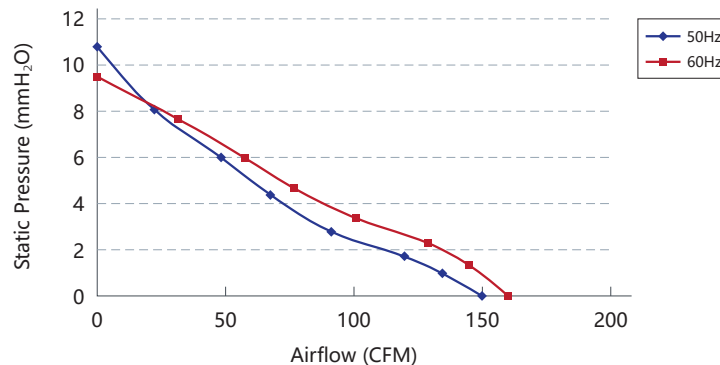
## Specifications

Model	Bearing	Blades	Voltage	Freq.	Current	Power	Speed	Noise	Max. Air Flow	Pressure	
No.			VAC	Hz	A	W	RPM	dB(A)	m³/h	CFM	mmH <sub>2</sub> O
GN150D1	Ball	5	100/125	50/60	0.45/0.42	30/28	2700/3000	53/59	255/272	150/160	10.8/9.5
GN150D2	Ball	5	200/240	50/60	0.24/0.22	30/28	2700/3000	53/59	255/272	150/160	10.8/9.5
GN150D3	Ball	5	360/400	50/60	0.12/0.11	30/28	2700/3000	53/59	255/272	150/160	10.8/9.5

## Engineering Drawing (mm)



## Air Performance



# GN150D-7

150x150x50mm (5.9"x5.9"x2")

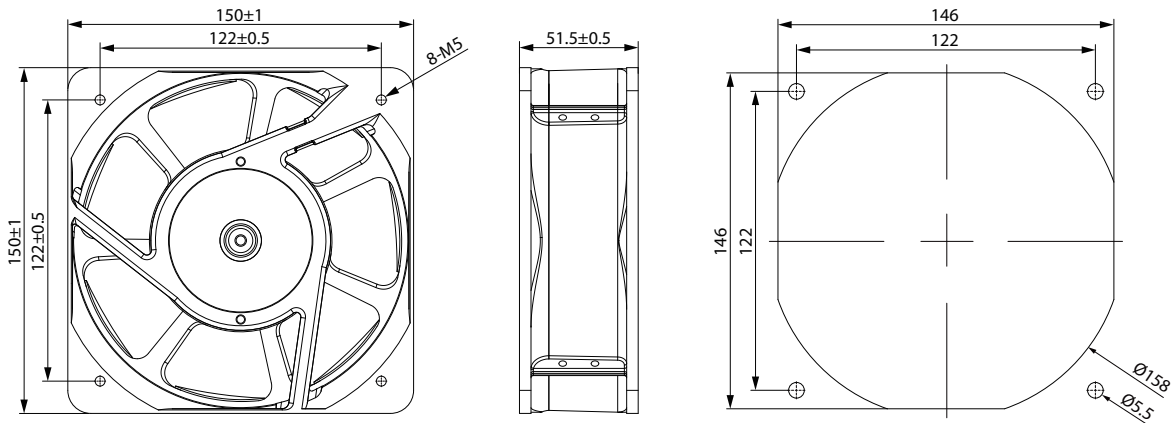


Fan Frame: Die-cast Aluminum(Black or Silver coating)  
 Fan Impeller: Plastic  
 Operation Temp.: -30~60°C  
 Operation Voltage Range: 110V(±10%); 220V(±10%)  
 Dielectric Strength: 5mA Max.at 1500V for 1 min  
 Safety: Impedance Protected  
 Termination: Lead Wire; Pin  
 Weight: 810g  
 Protection Class: IP44  
 Insulation: Class A  
 Option: Customized Dual Voltage 110V/220V

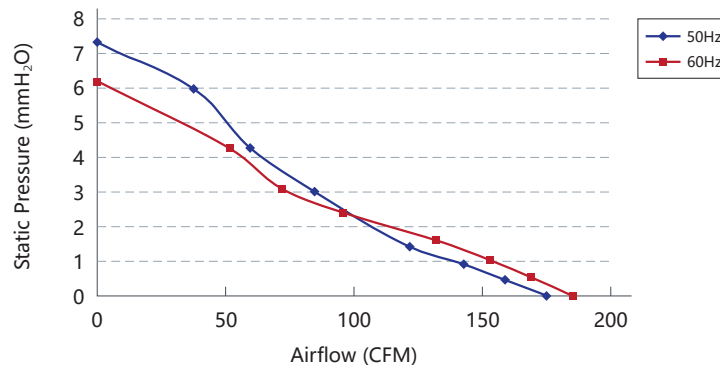
## Specifications

Model	Bearing	Blades	Voltage	Freq.	Current	Power	Speed	Noise	Max. Air Flow	Pressure	
No.			VAC	Hz	A	W	RPM	dB(A)	m³/h	CFM	mmH <sub>2</sub> O
GN150D1	Ball	7	100/125	50/60	0.45/0.42	32/30	2500/2600	54/58	297.5/314.5	175/185	7.3/6.2
GN150D2	Ball	7	200/240	50/60	0.24/0.22	32/30	2500/2600	54/58	297.5/314.5	175/185	7.3/6.2
GN150D3	Ball	7	360/400	50/60	0.12/0.11	32/30	2500/2600	54/58	297.5/314.5	175/185	7.3/6.2

## Engineering Drawing (mm)



## Air Performance



# GN170B

172x151x39mm (6.8"x5.9"x1.5")

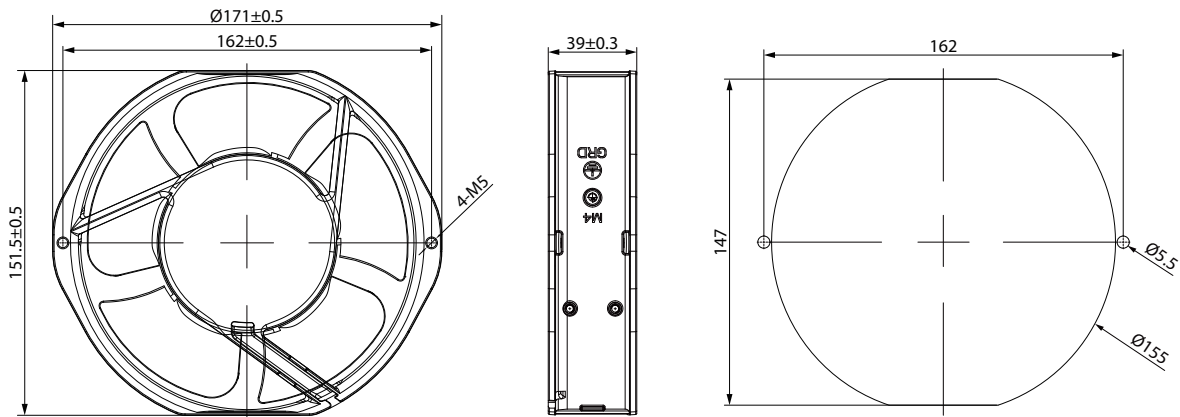


Fan Frame: Die-cast Aluminum(Black or Silver coating)  
 Fan Impeller: Plastic  
 Operation Temp.: -30~60°C  
 Operation Voltage Range: 110V(±10%); 220V(±10%)  
 Dielectric Strength: 5mA Max.at 1500V for 1 min  
 Safety: Impedance Protected  
 Termination: Lead Wire; Pin  
 Weight: 680g  
 Protection Class: IP44  
 Insulation: Class A

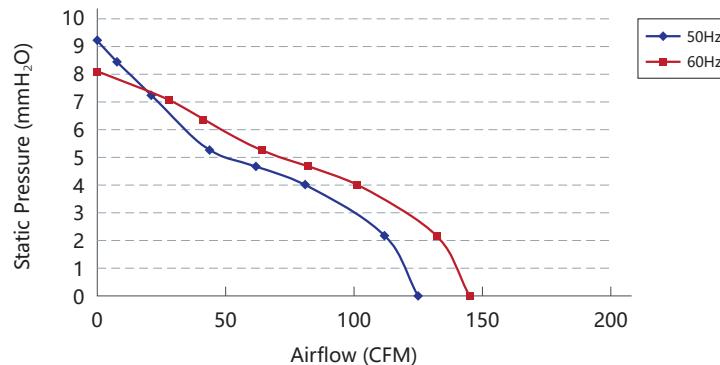
## Specifications

Model	Bearing	Blades	Voltage	Freq.	Current	Power	Speed	Noise	Max. Air Flow	Pressure	
No.			VAC	Hz	A	W	RPM	dB(A)	m³/h	CFM	mmH <sub>2</sub> O
GN170B1	Ball	5	100/125	50/60	0.4/0.38	25/24	2400/2700	51/54	212.5/246.5	125/145	9.2/8.1
GN170B2	Ball	5	200/240	50/60	0.2/0.18	25/24	2400/2700	51/54	212.5/246.5	125/145	9.2/8.1
GN170B3	Ball	5	360/400	50/60	0.1/0.09	25/24	2400/2700	51/54	212.5/246.5	125/145	9.2/8.1

## Engineering Drawing (mm)



## Air Performance



# GN170D-5

172x150x51mm (6.8"x5.9"x2")

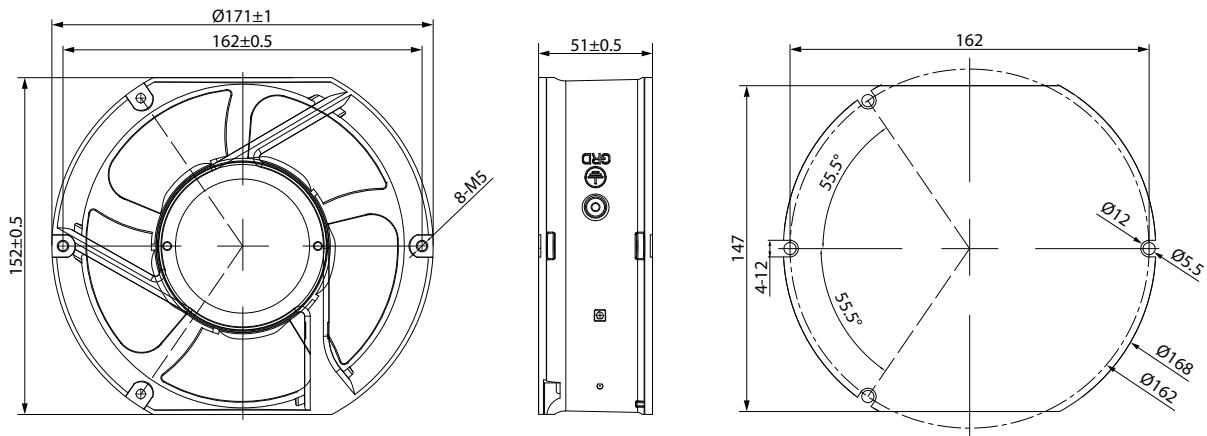


Fan Frame:	Die-cast Aluminum(Black or Silver coating)
Fan Impeller:	Plastic
Operation Temp.:	-30~60°C
Operation Voltage Range:	110V(±10%); 220V(±10%)
Dielectric Strength:	5mA Max.at 1500V for 1 min
Safety:	Impedance Protected
Termination:	Lead Wire; Pin
Weight:	820g
Protection Class:	IP44
Insulation:	Class A
Option:	Customized Dual Voltage 110V/220V

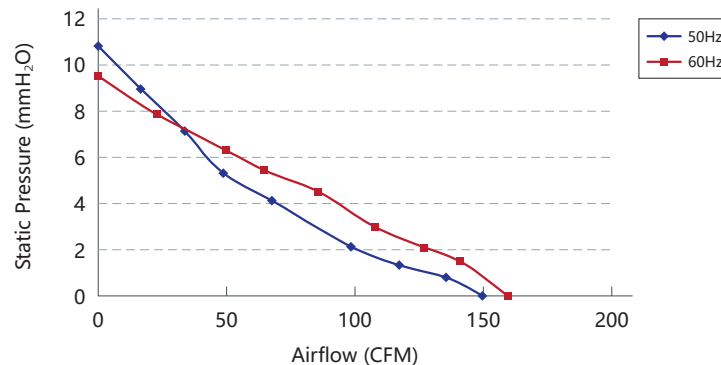
## Specifications

Model	Bearing	Blades	Voltage	Freq.	Current	Power	Speed	Noise	Max. Air Flow	Pressure	
No.			VAC	Hz	A	W	RPM	dB(A)	m³/h	CFM	mmH <sub>2</sub> O
GN170D1	Ball	5	100/125	50/60	0.45/0.42	30/28	2700/3000	53/59	255/272	150/160	10.8/9.5
GN170D2	Ball	5	200/240	50/60	0.24/0.22	30/28	2700/3000	53/59	255/272	150/160	10.8/9.5
GN170D3	Ball	5	360/400	50/60	0.12/0.11	30/28	2700/3000	53/59	255/272	150/160	10.8/9.5

## Engineering Drawing (mm)



## Air Performance





# GN170D-7

172x150x51mm (6.8"x5.9"x2")

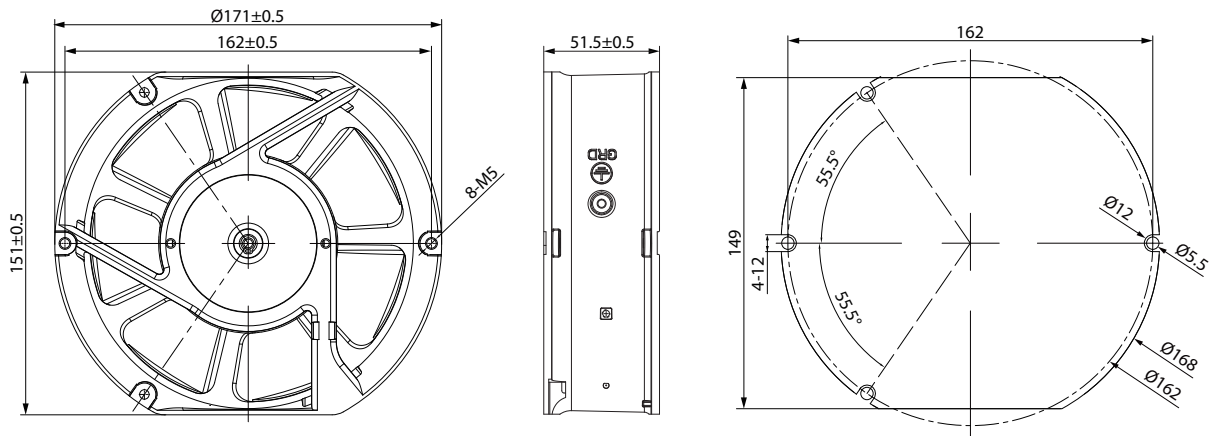


Fan Frame:	Die-cast Aluminum(Black or Silver coating)
Fan Impeller:	Plastic
Operation Temp.:	-30~60°C
Operation Voltage Range:	110V(±10%); 220V(±10%)
Dielectric Strength:	5mA Max.at 1500V for 1 min
Safety:	Impedance Protected
Termination:	Lead Wire; Pin
Weight:	830g
Protection Class:	IP44
Insulation:	Class A
Option:	Customized Dual Voltage 110V/220V

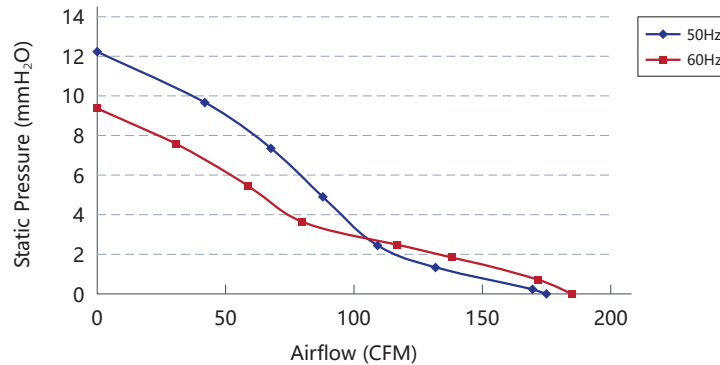
## Specifications

Model	Bearing	Blades	Voltage	Freq.	Current	Power	Speed	Noise	Max. Air Flow	Pressure	
No.			VAC	Hz	A	W	RPM	dB(A)	m³/h	CFM	mmH₂O
GN170D1	Ball	7	100/125	50/60	0.45/0.42	32/30	2500/2600	54/58	297.5/314.5	175/185	12.23/9.38
GN170D2	Ball	7	200/240	50/60	0.24/0.22	32/30	2500/2600	54/58	297.5/314.5	175/185	12.23/9.38
GN170D3	Ball	7	360/400	50/60	0.12/0.11	32/30	2500/2600	54/58	297.5/314.5	175/185	12.23/9.38

## Engineering Drawing (mm)



## Air Performance



NEW



Alu. impeller

# GN170D Metal

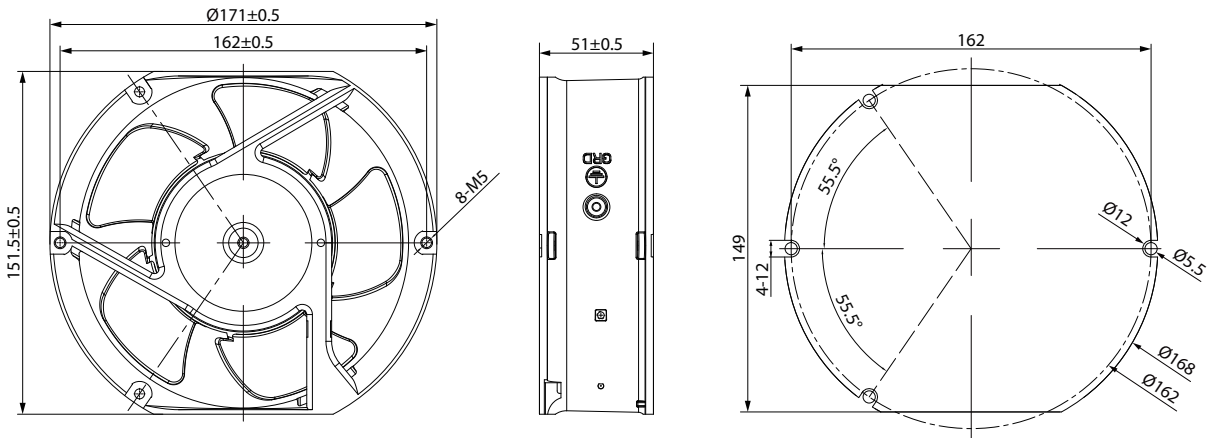
172x150x51mm (6.8"x5.9"x2")

Fan Frame:	Die-cast Aluminum(Black or Silver coating)
Fan Impeller:	Metal
Operation Temp.:	-30~60°C
Operation Voltage Range:	110V(±10%); 220V(±10%)
Dielectric Strength:	5mA Max.at 1500V for 1 min
Safety:	Impedance Protected
Termination:	Lead Wire; Pin
Weight:	810g
Protection Class:	IP44
Insulation:	Class A
Option:	Customized Dual Voltage 110V/220V

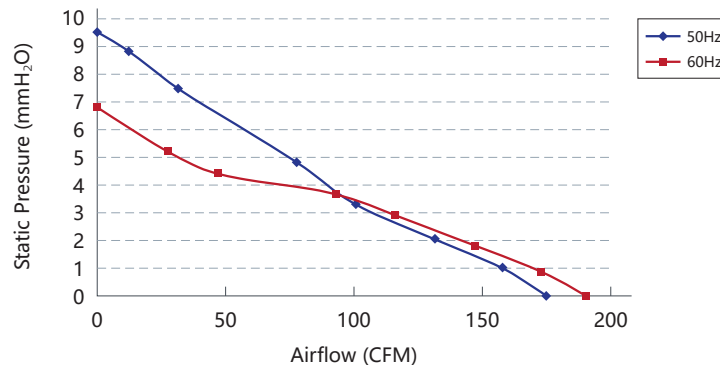
## Specifications

Model	Bearing	Blades	Voltage	Freq.	Current	Power	Speed	Noise	Max. Air Flow	Pressure	
No.			VAC	Hz	A	W	RPM	dB(A)	m³/h	CFM	mmH <sub>2</sub> O
GN170D1	Ball	5	100/125	50/60	0.45/0.42	32/30	2600/3000	53/55	297/323	175/190	9.5/6.8
GN170D2	Ball	5	200/240	50/60	0.24/0.22	32/30	2600/3000	53/55	297/323	175/190	9.5/6.8
GN170D3	Ball	5	360/400	50/60	0.15/0.14	32/30	2600/3000	53/55	297/323	175/190	9.5/6.8

## Engineering Drawing (mm)



## Air Performance



# GN180F

180x180x60mm (7"x7"x2.4")

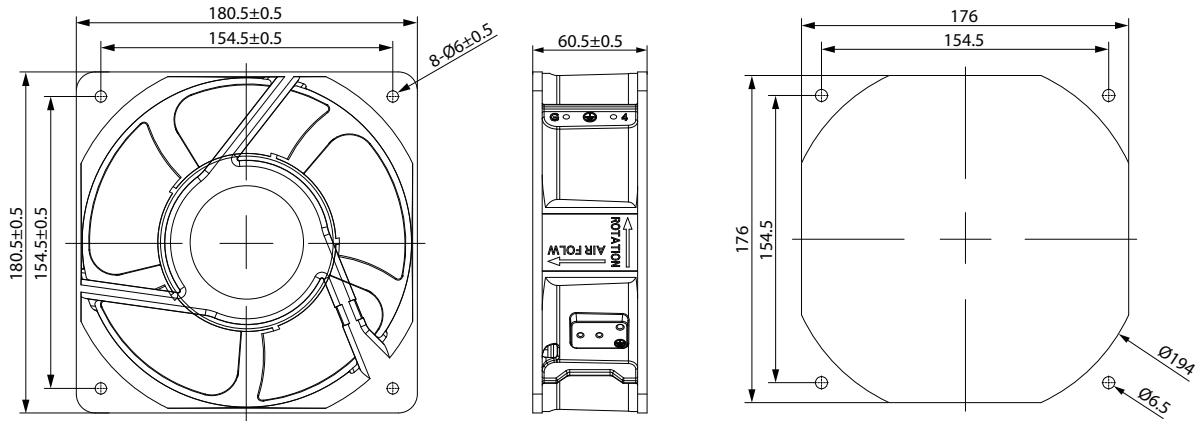


Fan Frame:	Die-cast Aluminum(Black or Silver coating)
Fan Impeller:	Plastic
Operation Temp.:	-30~60°C
Operation Voltage Range:	110V(±10%); 220V(±10%)
Dielectric Strength:	5mA Max.at 1500V for 1 min
Safety:	Impedance Protected
Termination:	Lead Wire; Pin
Weight:	1400g
Protection Class:	IP44
Insulation:	Class A
Option:	Customized Dual Voltage 110V/220V

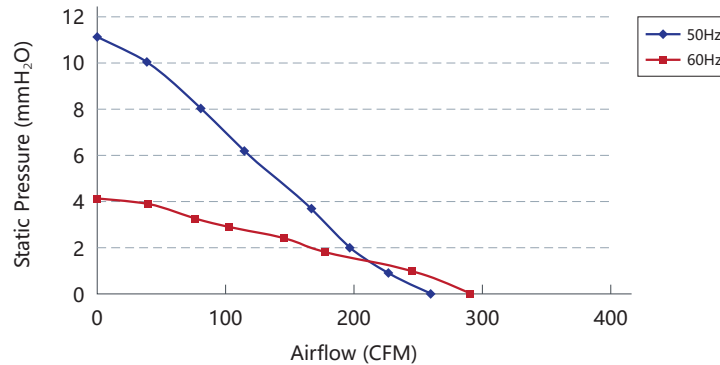
## Specifications

Model	Bearing	Blades	Voltage	Freq.	Current	Power	Speed	Noise	Max. Air Flow	Pressure	
No.			VAC	Hz	A	W	RPM	dB(A)	m³/h	CFM	mmH <sub>2</sub> O
GN180F1	Ball	5	100/125	50/60	0.54/0.52	42/40	2700/3000	61/64	442/493	260/290	11.95/4.1
GN180F2	Ball	5	200/240	50/60	0.35/0.32	42/40	2700/3000	61/64	442/493	260/290	11.95/4.1
GN180F3	Ball	5	360/400	50/60	0.2/0.18	42/40	2700/3000	61/64	442/493	260/290	11.95/4.1

## Engineering Drawing (mm)



## Air Performance



# GN200F

202x202x60mm (7.9"x7.9"x2.4")

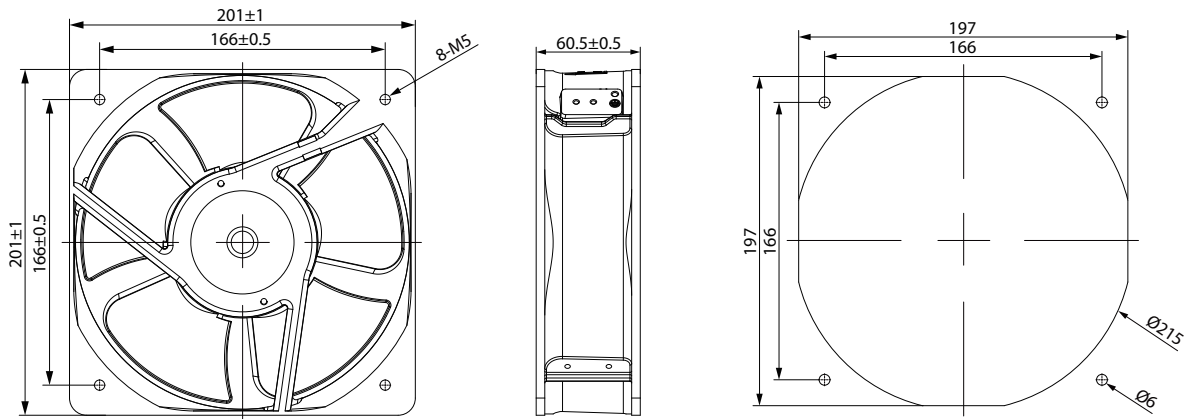


Fan Frame:	Die-cast Aluminum(Black or Silver coating)
Fan Impeller:	Plastic
Operation Temp.:	-30~60°C
Operation Voltage Range:	110V(±10%); 220V(±10%)
Dielectric Strength:	5mA Max.at 1500V for 1 min
Safety:	Impedance Protected
Termination:	Lead Wire; Pin
Weight:	1500g
Protection Class:	IP44
Insulation:	Class A
Option:	Customized Dual Voltage 110V/220V

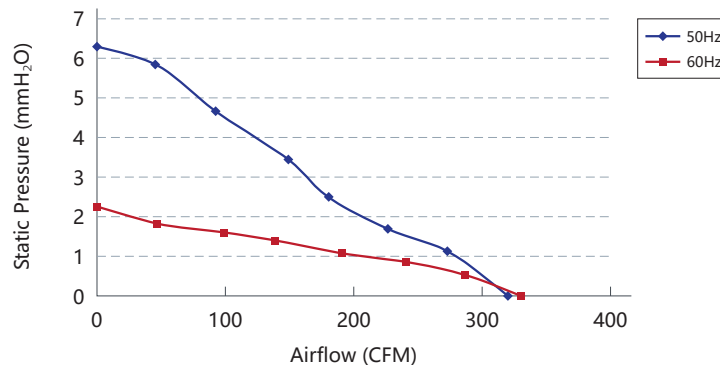
## Specifications

Model	Bearing	Blades	Voltage	Freq.	Current	Power	Speed	Noise	Max. Air Flow	Pressure	
No.			VAC	Hz	A	W	RPM	dB(A)	m³/h	CFM	mmH <sub>2</sub> O
GN200F1	Ball	5	100/125	50/60	0.6/0.58	45/42	2600/2700	63/65	544/561	320/330	6.28/2.25
GN200F2	Ball	5	200/240	50/60	0.35/0.32	45/42	2600/2700	63/65	544/561	320/330	6.28/2.25
GN200F3	Ball	5	360/400	50/60	0.2/0.18	45/42	2600/2700	63/65	544/561	320/330	6.28/2.25

## Engineering Drawing (mm)



## Air Performance



# GN220F

Ø220x60mm (8.7"x2.4")

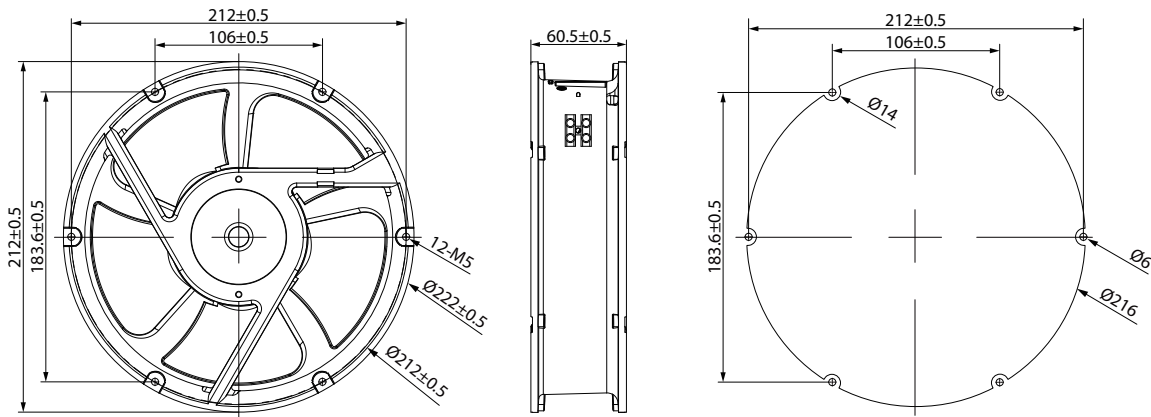


Fan Frame:	Die-cast Aluminum(Black or Silver coating)
Fan Impeller:	Plastic
Operation Temp.:	-30~60°C
Operation Voltage Range:	110V(±10%); 220V(±10%)
Dielectric Strength:	5mA Max.at 1500V for 1 min
Safety:	Impedance Protected
Termination:	Lead Wire; Pin
Weight:	1500g
Protection Class:	IP44
Insulation:	Class A
Option:	Customized Dual Voltage 110V/220V

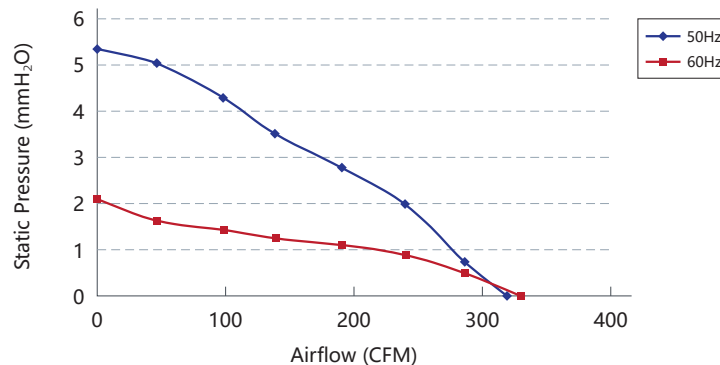
## Specifications

Model	Bearing	Blades	Voltage	Freq.	Current	Power	Speed	Noise	Max. Air Flow	Pressure	
No.			VAC	Hz	A	W	RPM	dB(A)	m³/h	CFM	mmH <sub>2</sub> O
GN220F1	Ball	5	100/125	50/60	0.58	45/42	2600/2700	63/65	544/561	320/330	5.34/2.1
GN220F2	Ball	5	200/240	50/60	0.35/0.32	45/42	2600/2700	63/65	544/561	320/330	5.34/2.1
GN220F3	Ball	5	360/400	50/60	0.2/18	45/42	2600/2700	63/65	544/561	320/330	5.34/2.1

## Engineering Drawing (mm)



## Air Performance



# GN205Z

206x206x72mm (8.1"x8.1"x2.8")



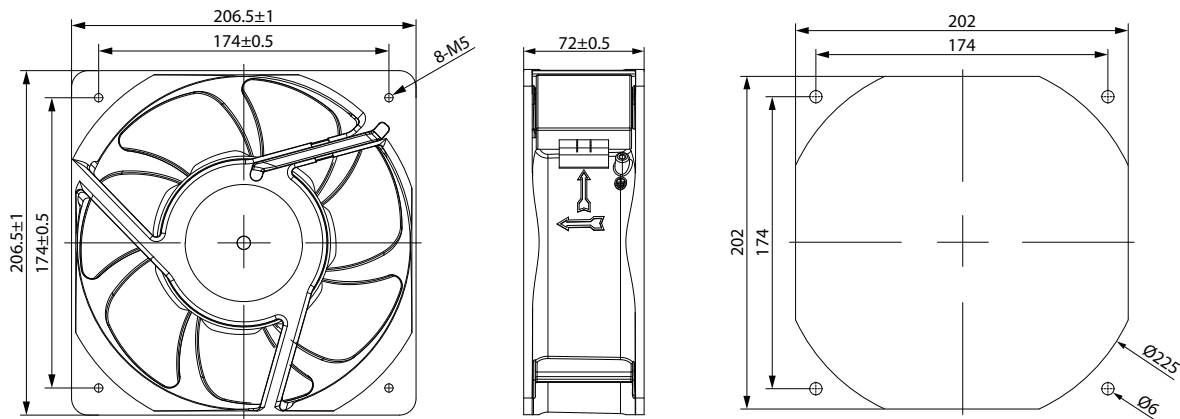
Capacitor Motor

Fan Frame: Die-cast Aluminum(Black or Silver coating)  
 Fan Impeller: Plastic  
 Operation Temp.: -30~60°C  
 Operation Voltage Range: 110V(±10%); 220V(±10%)  
 Dielectric Strength: 5mA Max.at 1500V for 1 min  
 Safety: Impedance Protected  
 Termination: Lead Wire; Pin  
 Weight: 2300g  
 Protection Class: IP44  
 Insulation: Class A

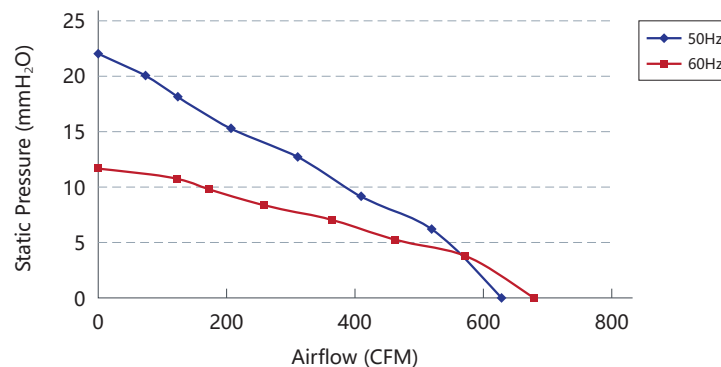
## Specifications

Model	Bearing	Blades	Voltage	Freq.	Current	Power	Speed	Noise	Max. Air Flow	Pressure	Capacitor	
No.			VAC	Hz	A	W	RPM	dB(A)	m <sup>3</sup> /h	CFM	mmH <sub>2</sub> O	uf
GN205Z1	Ball	7	100/125	50/60	0.6/0.7	60/80	2800/3200	67/69	1071/1156	630/680	22/11.7	6uf/250v
GN205Z2	Ball	7	200/240	50/60	0.3/0.4	60/80	2800/3200	67/69	1071/1156	630/680	22/11.7	3uf/450v

## Engineering Drawing (mm)



## Air Performance



# GN250K

Ø254x89mm (10"x3.5")



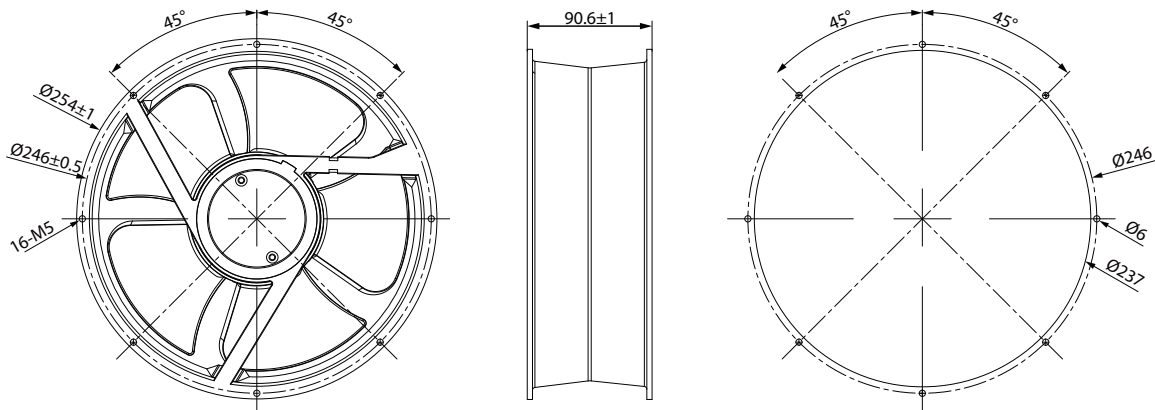
Capacitor Motor

Fan Frame: Die-cast Aluminum(Black or Silver coating)  
 Fan Impeller: Plastic  
 Operation Temp.: -30~60°C  
 Operation Voltage Range: 110V(±10%); 220V(±10%)  
 Dielectric Strength: 5mA Max.at 1500V for 1 min  
 Safety: Impedance Protected  
 Termination: Lead Wire; Pin  
 Weight: 2200g  
 Protection Class: IP44  
 Insulation: Class A

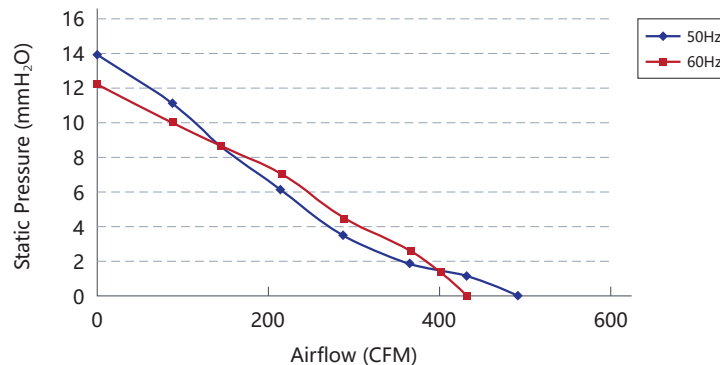
## Specifications

Model	Bearing	Blades	Voltage	Freq.	Current	Power	Speed	Noise	Max. Air Flow	Pressure	Capacitor	
No.			VAC	Hz	A	W	RPM	dB(A)	m³/h	CFM	mmH <sub>2</sub> O	uf
GN250K1	Ball	5	100/125	50/60	0.85	75.5/88.7	2275/2468	68/70	836.4/736.1	492/433	13.9/12.2	4uf/250V
GN250K2	Ball	5	200/240	50/60	0.4	75.5/88.7	2275/2468	68/70	836.4/736.1	492/433	13.9/12.2	1.5uf/450V
GN250K3	Ball	5	360/400	50/60	0.2	75.5/88.7	2275/2468	68/70	836.4/736.1	492/433	13.9/12.2	0.7uf/630V

## Engineering Drawing (mm)



## Air Performance



## GR Series - AC Centrifugal Fan

- Large Air Flow and High Air Pressure
- High efficiency





# GR175A

Ø175x65mm (6.9"x2.6")

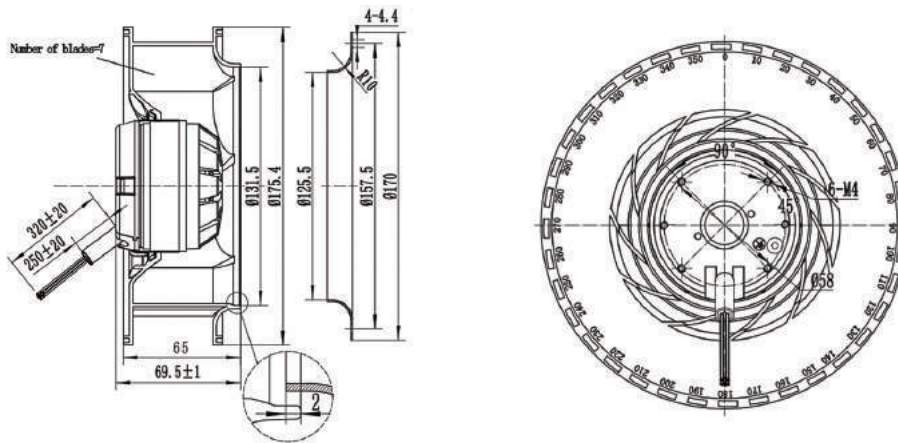


Fan Frame:	PA66 Nylon or Metal
Fan Impeller:	Plastic or Metal
Bearing system:	Ball bearing
Operation Temp.:	-30~60°C
Operation Voltage Range:	110V(±10%); 220V(±10%)
Dielectric Strength:	5mA Max.at 1500V for 1 min
Safety:	Impedance Protected
Termination:	Lead Wire; Pin
Weight:	1000g
Protection Class:	IP44
Insulation:	Class A

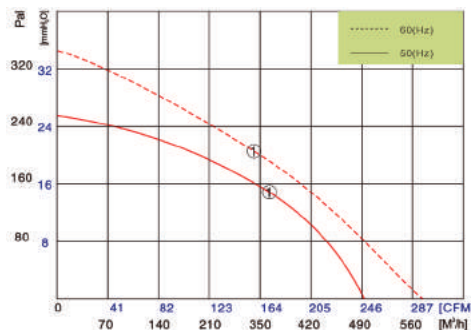
## Specifications

Model	Voltage	Freq.	Current	Power	Speed	Noise	Capacitor	Max. Air Flow	Static Pressure	Curve No.		
No.	VAC	Hz	A	W	RPM	dB(A)	uf	m³/h	CFM	Pa	mmH₂O	
GR175A1	100/125	60	0.56	51	3100	68	3.3uf/630v	570	335	350	35.7	①
GR175A2	200/240	50/60	0.28/0.25	51/56	2750/3100	63/68	1.5uf/630v	490/570	288/335	250/350	25.5/35.7	①

## Engineering Drawing (mm)



## Air Performance



# GR190A

Ø190x61mm (7.5"x2.4")

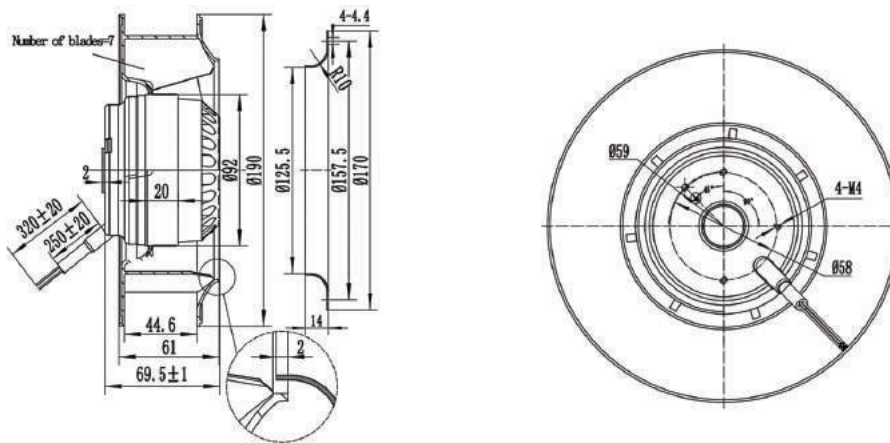


Fan Frame:	PA66 Nylon or Metal
Fan Impeller:	Plastic or Metal
Bearing system:	Ball bearing
Operation Temp.:	-30~60°C
Operation Voltage Range:	110V(±10%); 220V(±10%)
Dielectric Strength:	5mA Max.at 1500V for 1 min
Safety:	Impedance Protected
Termination:	Lead Wire; Pin
Weight:	1200g
Protection Class:	IP44
Insulation:	Class A

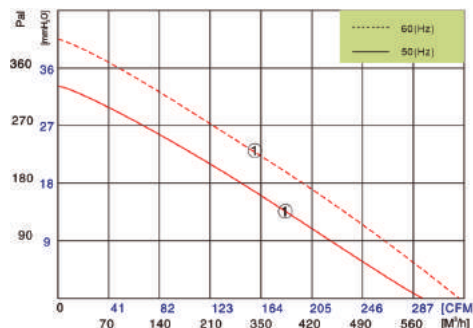
## Specifications

Model	Voltage	Freq.	Current	Power	Speed	Noise	Capacitor	Max. Air Flow	Static Pressure	Curve No.		
No.	VAC	Hz	A	W	RPM	dB(A)	uf	m³/h	CFM	Pa	mmH₂O	
GR190A1	100/125	50/60	0.65/0.75	70/90	2600/2950	62/64	8.0uf/250v	570/620	336/365	330/430	33.6/43.8	①
GR190A2	200/240	50/60	0.30/0.45	70/90	2600/2950	62/64	2.2uf/630v	570/620	336/365	330/430	33.6/43.8	①

## Engineering Drawing (mm)



## Air Performance



# GR220A

Ø220x64mm (8.7"x2.5")

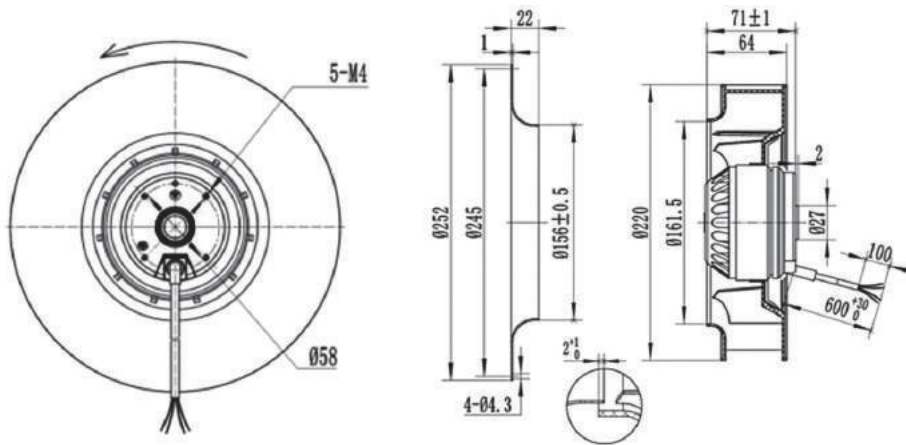


Fan Frame:	PA66 Nylon or Metal
Fan Impeller:	Plastic or Metal
Bearing system:	Ball bearing
Operation Temp.:	-30~60°C
Operation Voltage Range:	110V(±10%); 220V(±10%)
Dielectric Strength:	5mA Max.at 1500V for 1 min
Safety:	Impedance Protected
Termination:	Lead Wire; Pin
Weight:	1700g
Protection Class:	IP44
Insulation:	Class A

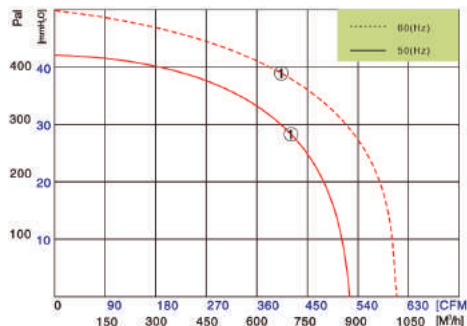
## Specifications

Model	Voltage	Freq.	Current	Power	Speed	Noise	Capacitor	Max. Air Flow	Static Pressure	Curve No.		
No.	VAC	Hz	A	W	RPM	dB(A)	uf	m³/h	CFM	Pa	mmH₂O	
GR220A1	100/125	50/60	0.90/1.17	115/134	2600/2950	73/74	8.0uf/250v	885/990	512/583	420/560	42.8/57.1	①
GR220A2	200/240	50/60	0.45/0.46	90/98	2600/2950	73/74	8.0uf/250v	885/990	512/583	420/560	42.8/57.1	①

## Engineering Drawing (mm)



## Air Performance



# GR225B

Ø225x89mm (8.9"x3.5")

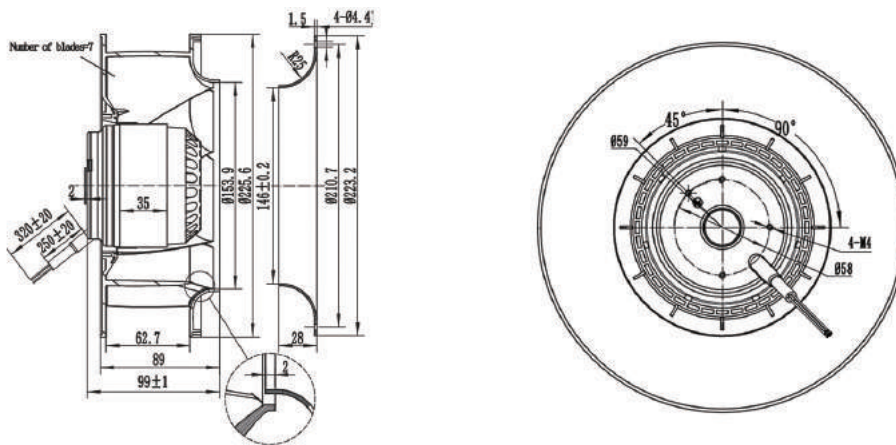


Fan Frame:	PA66 Nylon or Metal
Fan Impeller:	Plastic or Metal
Bearing system:	Ball bearing
Operation Temp.:	-30~60°C
Operation Voltage Range:	110V(±10%); 220V(±10%)
Dielectric Strength:	5mA Max.at 1500V for 1 min
Safety:	Impedance Protected
Termination:	Lead Wire; Pin
Weight:	2350g
Protection Class:	IP44
Insulation:	Class A

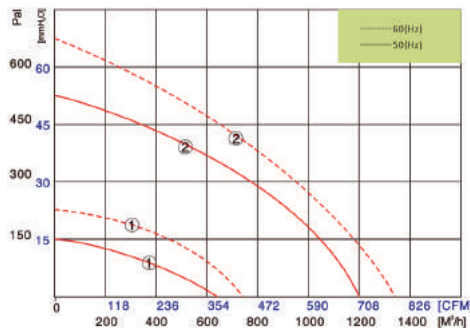
## Specifications

Model	Voltage	Freq.	Current	Power	Speed	Noise	Capacitor	Max. Air Flow	Static Pressure	Curve No.		
No.	VAC	Hz	A	W	RPM	dB(A)	uf	m³/h	CFM	Pa	mmH₂O	
GR225B1	115	50/60	1.3/1.7	120/180	2500/2700	69/71	20uf/450v	1200/1340	706/789	550/700	56.1/71.4	②
GR225B2	230	50/60	0.55/0.8	120/180	2500/2700	69/71	4uf/630v	1200/1340	706/789	550/700	56.1/71.4	②

## Engineering Drawing (mm)



## Air Performance



# GR250A

Ø250x86mm (9.8"x3.4")

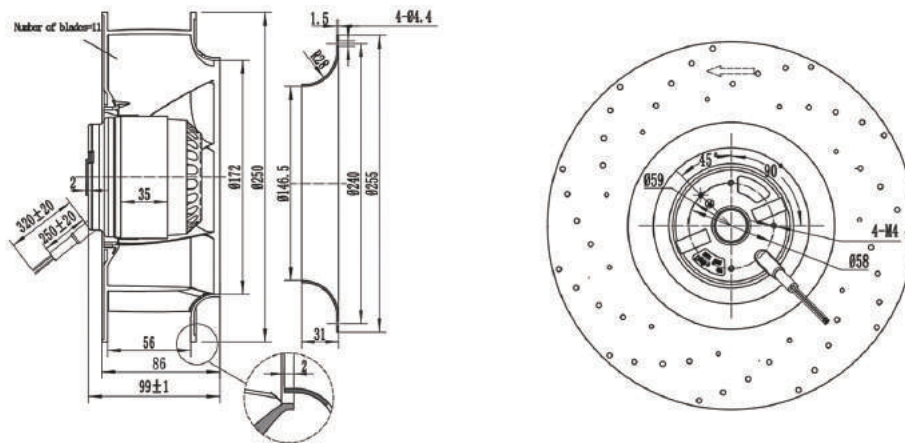


Fan Frame:	PA66 Nylon or Metal
Fan Impeller:	Metal or Plastic
Bearing system:	Ball bearing
Operation Temp.:	-30~60°C
Operation Voltage Range:	110V(±10%); 220V(±10%)
Dielectric Strength:	5mA Max.at 1500V for 1 min
Safety:	Impedance Protected
Termination:	Lead Wire; Pin
Weight:	2700g
Protection Class:	IP44
Insulation:	Class A

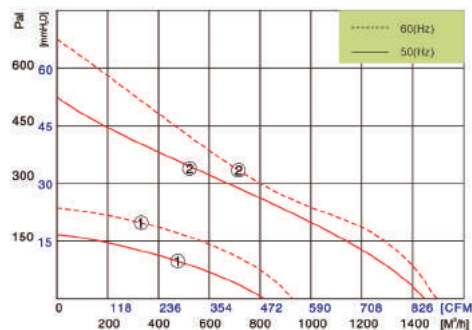
## Specifications

Model	Voltage	Freq.	Current	Power	Speed	Noise	Capacitor	Max. Air Flow	Static Pressure	Curve No.		
No.	VAC	Hz	A	W	RPM	dB(A)	uf	m³/h	CFM	Pa	mmH₂O	
GR250A1	100/125	50/60	1.3/1.8	120/210	2400/2500	75/78	20uf/450v	1450/1490	854/878	580/740	59.1/75.5	②
GR250A2	200/240	50/60	0.6/0.85	120/210	2400/2500	75/78	4uf/630v	1450/1490	854/878	580/740	59.1/75.5	②

## Engineering Drawing (mm)



## Air Performance





## **Guangzhou Guanxie Fan Manufacturing Co.,Ltd.**

Add: Buiding 4, No.7 Lanhua Street, Dagang Industrial Zone, Baiyunhu Street,  
Baiyun District, Guangzhou, China.

Tel: +86 020-36678158

Fax: +86 020-83377440

E-mail: [info@acdcfan.com.cn](mailto:info@acdcfan.com.cn)

Web: [www.acdcfan.com.cn](http://www.acdcfan.com.cn)