



PRODUCT CATALOG 2024



DC & EC Fans

直流风机 & EC风机



About ACDCFAN

ACDCFAN一直致力于散热风机的研发和制造，我们的产品广泛应用于工业机械、电力行业、光伏领域、储能和通讯等行业。我司生产的主要产品有AC轴流风机、AC离心风机、DC轴流风机、DC鼓风机以及EC轴流风机。凭借在该领域20多年的专注经验，ACDCFAN已成长为行业领先的高品质风扇专业制造商。

ACDCFAN一直追逐行业的前沿，始终如一地提供先进的解决方案以满足客户的多样化需求。我们是一家通过ISO认证的公司，拥有ISO9001和ISO14001证书。生产的散热风机符合RoHS标准，产品设计旨在满足UL、CE和TUV的严格要求。ACDCFAN对创新、可靠性和客户满意度的承诺使我们成为全球企业值得信赖的合作伙伴。我们了解每个应用需求都是独一无二的，针对定制解决方案我们提供OEM/ODM/OBM服务。ACDCFAN将致力于成为受人尊敬的全球品牌，并持续为散热风机行业的未来发展贡献自己的力量。

The ACDCFAN develops and manufactures compact cooling fans used in a wide range of industries, including Industrial machinery, Electric power Industry, PV field, Energy storage, and Telecommunications, among others. ACDCFAN produces AC axial fans, AC centrifugal fans, DC axial fans, DC blowers, and EC axial fans for customers around the world. With over 20 years of dedicated experience in the field, ACDCFAN has grown to be a leading professional manufacturer of high-quality fans based in China.

ACDCFAN has been at the forefront of the industry, consistently providing cutting-edge solutions to meet the diverse needs of our customers. We are an ISO certified company with ISO9001 and ISO14001 certificates. Our cooling fans are RoHS compliant and designed to meet the toughest standards of UL, CE and TUV. The commitment of ACDCFAN to innovation, reliability and customer satisfaction has made us a trusted partner for businesses worldwide. We understand that every application is unique, the OEM/ODM/OBM services are available to offer customized solutions. ACDCFAN strives to be a respected global brand and continue to contribute to the future development of the cooling fan industry.

Factory workshop 工厂车间



Certifications 资质证书

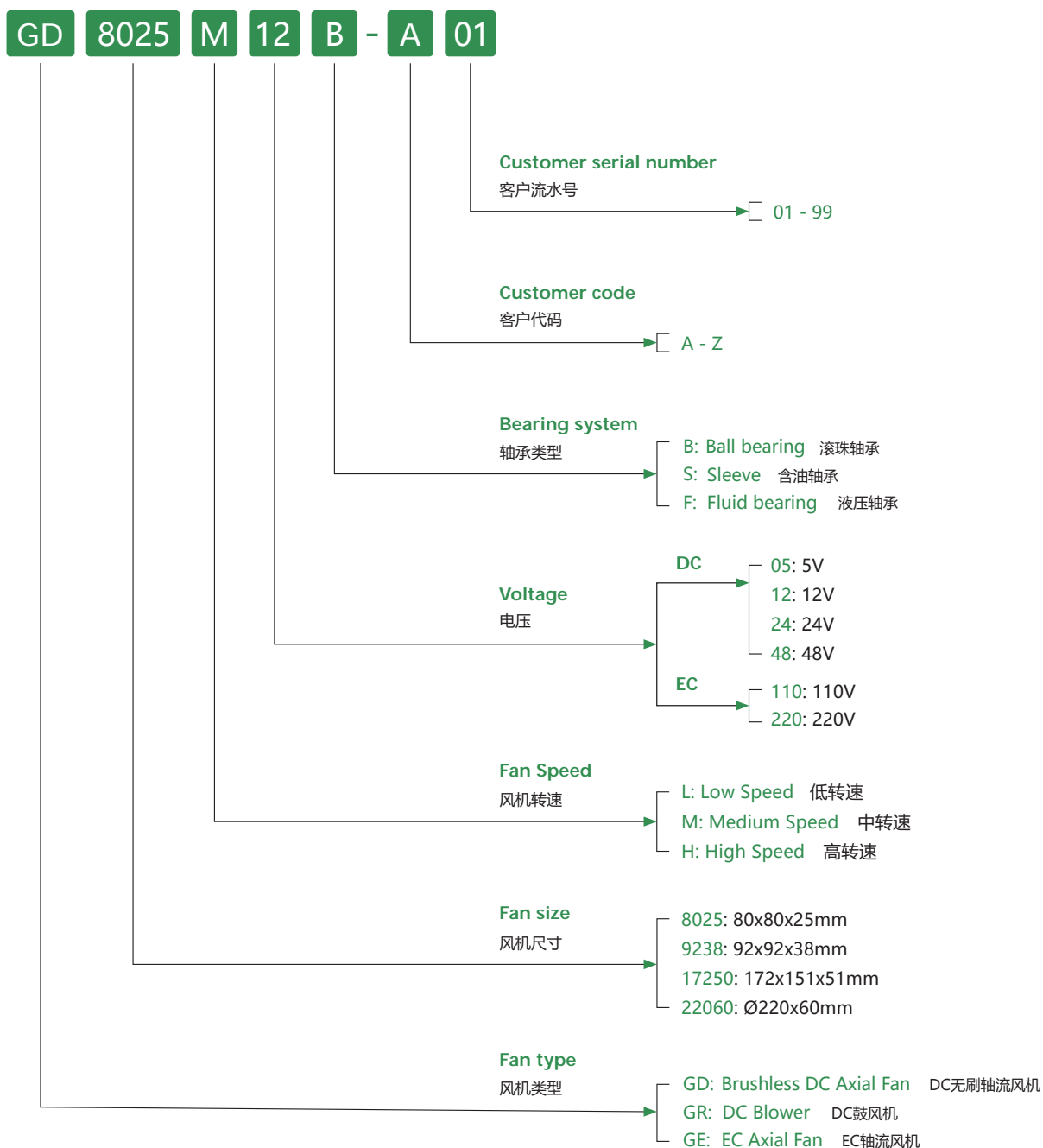
我们是一家通过ISO认证的公司，拥有ISO9001和ISO14001证书。生产的散热风机符合RoHS标准，产品设计旨在满足UL、CE和TUV的严格要求。

We are an ISO certified company with ISO9001 and ISO14001 certificates. Our cooling fans are RoHS compliant and designed to meet the toughest standards of UL, CE and TUV.



DC&EC Fans Part Numbering System

DC&EC风机型号编码原则



Function Description 功能说明

Motor protection 电机保护	Signal output 信号输出	Speed control mode 调速方式
RP: Reverse Protection 反接保护	FG: Frequency Generator (Tachometer) 转速检测	PWM: Pulse Width Modulation Control 占空比调速
SS: Soft Start 软启动	RD: Rotation Detection 正RD故障报警	TC: Temperature Control 温控调速
AS: Auto Restart 自动重启	RDB: Rotation Detection Complement 反RD故障报警	VC: Voltage Control 电压调速
CL: Current Limiting 限流保护	LD: Life Detection 低转速报警	CC: Current Source Signal Control 电源信号控制调速
OVP: Over-voltage Protection 过压保护		CS: Constant Speed 恒速

Contents 目录

DC Fan 直流风机

Model no. 型号	Size (mm) 尺寸	Size (inch) 尺寸	Page 页码
GD Series - Brushless DC Axial Fan DC无刷轴流风机			01
GD2510	25 x 25 x 10	1" x 1" x 0.4"	02
GD3010	30 x 30 x 10	1.2" x 1.2" x 0.4"	03
GD4010	40 x 40 x 10	1.6" x 1.6" x 0.4"	04
GD4020	40 x 40 x 20	1.6" x 1.6" x 0.8"	05
GD4028 NEW	40 x 40 x 28	1.6" x 1.6" x 1.1"	06
GD5010	50 x 50 x 10	2" x 2" x 0.4"	07
GD5015	50 x 50 x 15	2" x 2" x 0.6"	08
GD5020	50 x 50 x 20	2" x 2" x 0.8"	09
GD6015	60 x 60 x 15	2.4" x 2.4" x 0.6"	10
GD6020	60 x 60 x 20	2.4" x 2.4" x 0.8"	11
GD6025	60 x 60 x 25	2.4" x 2.4" x 1"	12
GD6038 Xflow 大流量 NEW	60 x 60 x 38	2.4" x 2.4" x 1.5"	13
GD7015	70 x 70 x 15	2.8" x 2.8" x 0.6"	14
GD7020	70 x 70 x 20	2.8" x 2.8" x 0.8"	15
GD7025	70 x 70 x 25	2.8" x 2.8" x 1"	16
GD8015	80 x 80 x 15	3.1" x 3.1" x 0.6"	17
GD8020	80 x 80 x 20	3.1" x 3.1" x 0.8"	18
GD8025	80 x 80 x 25	3.1" x 3.1" x 1"	19
GD8025 Xflow 大流量 NEW	80 x 80 x 25	3.1" x 3.1" x 1"	20
GD8038 XPressure 增压框	80 x 80 x 38	3.1" x 3.1" x 1.5"	21
GD9225	92 x 92 x 25	3.6" x 3.6" x 1"	22
GD9238 XPressure 增压框	92 x 92 x 38	3.6" x 3.6" x 1.5"	23
GD12025	120 x 120 x 25	4.7" x 4.7" x 1"	24
GD12038	120 x 120 x 38	4.7" x 4.7" x 1.5"	25
GD12038 XPressure 增压框	120 x 120 x 38	4.7" x 4.7" x 1.5"	26
GD15050	150 x 150 x 50	5.9" x 5.9" x 2"	27
GD17250	172 x 150 x 51	6.8" x 5.9" x 2"	28
GD18060 NEW	180 x 180 x 60	7" x 7" x 2.4"	29
GD20060	200 x 200 x 60	7.9" x 7.9" x 2.4"	30
GD22060	Ø220 x 60	8.7" x 2.4"	31
GD25489	Ø254 x 89	10" x 3.5"	32
GR Series - DC Blower DC鼓风机			33
GR5015	50 x 50 x 15	2" x 2" x 0.6"	34
GR5020	50 x 50 x 20	2" x 2" x 0.8"	35
GR5025	50 x 50 x 25	2" x 2" x 1"	36
GR7530	75 x 75 x 30	3" x 3" x 1.2"	37
GR9733	97 x 97 x 33	3.8" x 3.8" x 1.3"	38
GR10015 NEW	100 x 95 x 15	3.9" x 3.7" x 0.6"	39
GR12032	120 x 120 x 32	4.7" x 4.7" x 1.3"	40

EC Fan EC风机

Model no. 型号	Size (mm) 尺寸	Size (inch) 尺寸	Page 页码
GE Series - EC Axial Fan EC轴流风机			41
GE6025	60 x 60 x 25	2.4" x 2.4" x 1"	42
GE8025	80 x 80 x 25	3.1" x 3.1" x 1"	43
GE8025 Xflow 大流量 NEW	80 x 80 x 25	3.1" x 3.1" x 1"	44
GE8038 XPressure 增压框	80 x 80 x 38	3.1" x 3.1" x 1.5"	45
GE9225	92 x 92 x 25	3.6" x 3.6" x 1"	46
GE9238 XPressure 增压框	92 x 92 x 38	3.6" x 3.6" x 1.5"	47
GE12025	120 x 120 x 25	4.7" x 4.7" x 1"	48
GE12038	120 x 120 x 38	4.7" x 4.7" x 1.5"	49
GE15050	150 x 150 x 50	5.9" x 5.9" x 2"	50
GE17250	172 x 150 x 51	6.8" x 5.9" x 2"	51
GE18060 NEW	180 x 180 x 60	7" x 7" x 2.4"	52
GE20060	200 x 200 x 60	7.9" x 7.9" x 2.4"	53
GE22060	Ø220 x 60	8.7" x 2.4"	54

GD Series - Brushless DC Axial Fan

Customization options for special applications:

- IP68 protection
- High temperature resistance up to 120°C

GD系列 - DC无刷轴流风机

特殊应用定制选项:

- IP68防护等级 - 防水防尘
- 耐高温, 最高可定制耐温120°C



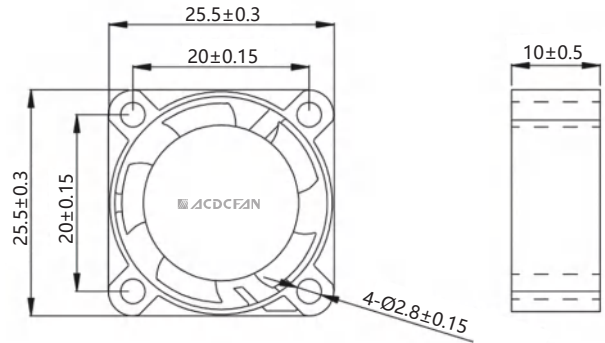
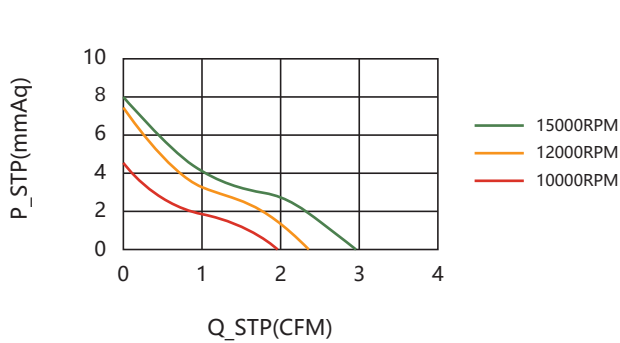
GD2510 Series

25x25x10mm (1"x1"x0.4")

Bearing system:	Ball bearing or Sleeve
Weight:	6.5g
Frame:	Thermoplastic PBT UL 94V-0
Impeller:	Thermoplastic PBT UL 94V-0



Parameter



P&Q Curve (At Rated Voltage)
Dimensions Drawing

Motor protection				
RP	SS	AS	CL	OVP
●	●	●	○	○

Signal output			
FG	RD	RDB	LD
●	●	○	○

Speed control mode				
PWM	TC	VC	CC	CS
●	○	○	○	○

Available Functions

Model	Voltage (VDC)	Voltage Range (VDC)	Current (A)	Power (W)	Speed (RPM)	Maximum Air Flow		Maximum Air Pressure		Noise dB(A)
						m ³ /min	CFM	mmH ₂ O	INH ₂ O	
GD2510L05	5	3.6 to 6.8	0.13	0.65	10000	0.056	1.99	4.48	0.18	22.8
GD2510L12	12	6.0 to 13.5	0.04	0.48						
GD2510M05	5	3.6 to 6.8	0.17	0.85	12000	0.067	2.38	7.37	0.29	25.2
GD2510M12	12	6.0 to 13.5	0.05	0.6						
GD2510H05	5	3.6 to 6.8	0.23	1.15	15000	0.084	2.98	7.98	0.31	28.9
GD2510H12	12	6.0 to 13.5	0.06	0.72						

Air Performance

GD3010 Series

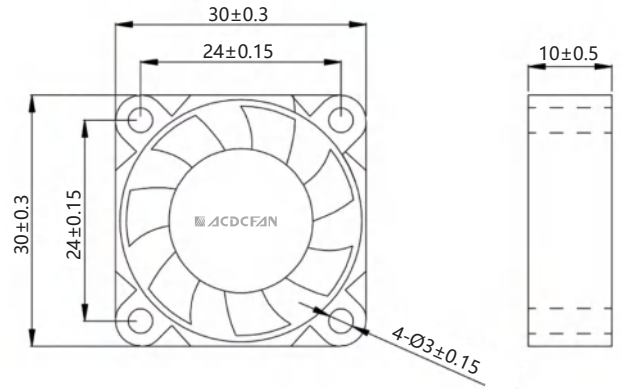
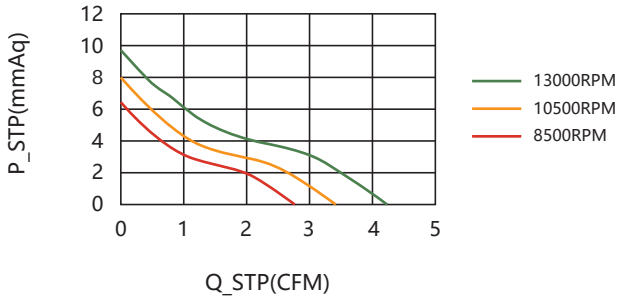
30x30x10mm (1.2"x1.2"x0.4")

Bearing system:	Ball bearing or Sleeve
Weight:	7.6g
Frame:	Thermoplastic PBT UL 94V-0
Impeller:	Thermoplastic PBT UL 94V-0



Parameter

P&Q Curve (At Rated Voltage)
Dimensions Drawing



Available Functions

Motor protection				
RP	SS	AS	CL	OVP
<input checked="" type="radio"/>	<input checked="" type="radio"/>	<input checked="" type="radio"/>	<input type="radio"/>	<input type="radio"/>

Signal output			
FG	RD	RDB	LD
<input checked="" type="radio"/>	<input checked="" type="radio"/>	<input type="radio"/>	<input type="radio"/>

Speed control mode				
PWM	TC	VC	CC	CS
<input checked="" type="radio"/>	<input type="radio"/>	<input type="radio"/>	<input type="radio"/>	<input type="radio"/>

Air Performance

Model	Voltage (VDC)	Voltage Range (VDC)	Current (A)	Power (W)	Speed (RPM)	Maximum Air Flow		Maximum Air Pressure		Noise dB(A)
						m ³ /min	CFM	mmH ₂ O	INH ₂ O	
GD3010L05	5	3.6 to 6.8	0.11	0.55	8500	0.08	2.76	6.39	0.25	27.5
GD3010L12	12	6.0 to 13.5	0.04	0.48						
GD3010L24	24	18 to 26.5	0.02	0.48						
GD3010M05	5	3.6 to 6.8	0.18	0.9	10500	0.1	3.41	7.89	0.31	30.2
GD3010M12	12	6.0 to 13.5	0.01	0.12						
GD3010M24	24	18 to 26.5	0.01	0.24						
GD3010H05	5	3.6 to 6.8	0.29	1.45	13000	0.12	4.22	9.77	0.39	34.2
GD3010H12	12	6.0 to 13.5	0.12	1.44						
GD3010H24	24	18 to 26.5	0.05	1.2						

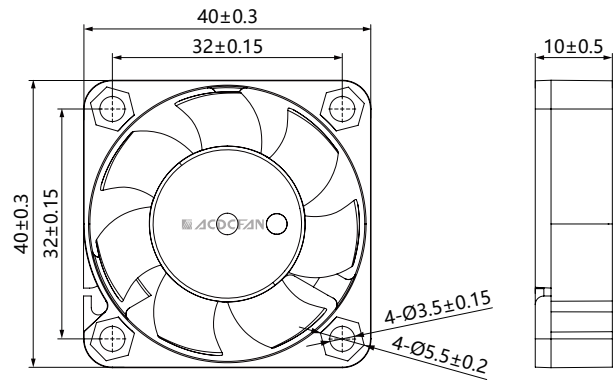
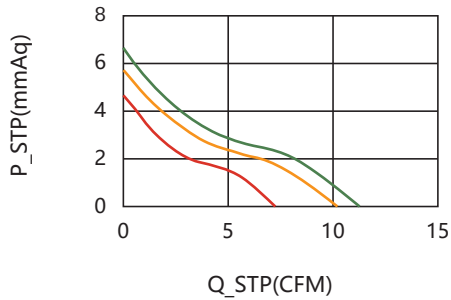
GD4010 Series

40x40x10mm (1.6"x1.6"x0.4")

Bearing system:	Ball bearing or Sleeve
Weight:	14.1g
Frame:	Thermoplastic PBT UL 94V-0
Impeller:	Thermoplastic PBT UL 94V-0



Parameter



P&Q Curve (At Rated Voltage)
Dimensions Drawing

Motor protection

RP	SS	AS	CL	OVP
●	●	●	○	○

Signal output

FG	RD	RDB	LD
●	●	○	○

Speed control mode

PWM	TC	VC	CC	CS
●	○	○	○	○

Available Functions

Model	Voltage (VDC)	Voltage Range (VDC)	Current (A)	Power (W)	Speed (RPM)	Maximum Air Flow		Maximum Air Pressure		Noise dB(A)
						m ³ /min	CFM	mmH ₂ O	INH ₂ O	
GD4010L05	5	3.6 to 6.8	0.2	1	6500	0.02	7.24	4.7	0.19	28.6
GD4010L12	12	6.0 to 13.5	0.12	1.44						
GD4010M12	12	6.0 to 13.5	0.15	1.8	7500	0.29	10.22	5.76	0.23	30.5
GD4010M24	24	18 to 26.5	0.06	1.44						
GD4010H12	12	6.0 to 13.5	0.19	2.28	8000	0.32	11.29	6.49	0.26	33.4
GD4010H24	24	18 to 26.5	0.08	1.92						

Air Performance

GD4020 Series

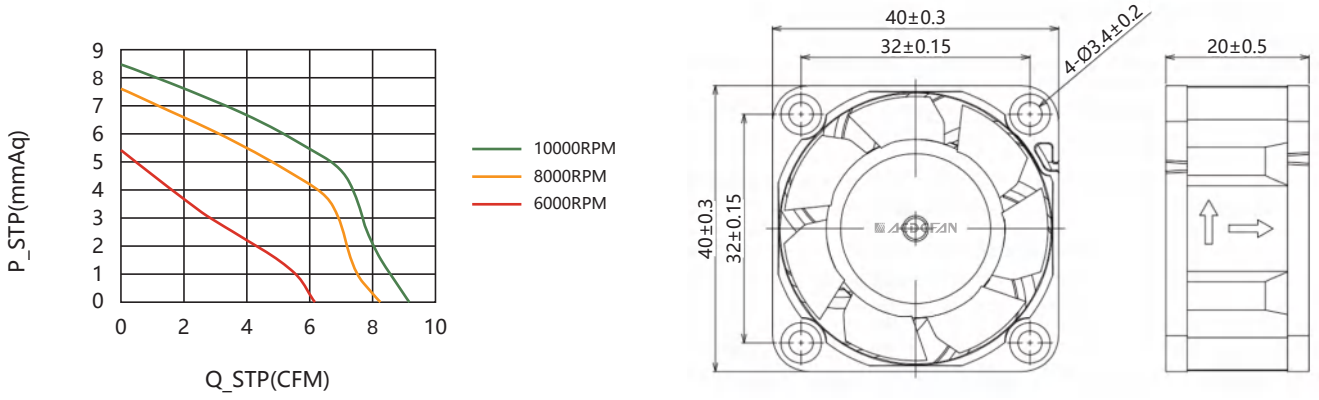
40x40x20mm (1.6"x1.6"x0.8")



Bearing system:	Ball bearing or Sleeve
Weight:	24.5g
Frame:	Thermoplastic PBT UL 94V-0
Impeller:	Thermoplastic PBT UL 94V-0

Parameter

P&Q Curve (At Rated Voltage)
Dimensions Drawing



Available Functions

Motor protection					Signal output				Speed control mode				
RP	SS	AS	CL	OVP	FG	RD	RDB	LD	PWM	TC	VC	CC	CS
●	●	●	○	○	●	●	○	○	●	○	○	○	○

Air Performance

Model	Voltage (VDC)	Voltage Range (VDC)	Current (A)	Power (W)	Speed (RPM)	Maximum Air Flow		Maximum Air Pressure		Noise dB(A)
						m³/min	CFM	mmH₂O	INH₂O	
GD4020L05	5	3.6 to 6.8	0.2	1	6000	0.17	6.16	5.4	0.21	23.6
GD4020L12	12	6.0 to 13.5	0.08	0.96						
GD4020L24	24	18 to 26.5	0.04	0.96						
GD4020M05	5	3.6 to 6.8	0.28	1.4	8000	0.23	8.23	7.62	0.3	25.4
GD4020M12	12	6.0 to 13.5	0.15	1.8						
GD4020M24	24	18 to 26.5	0.08	1.92						
GD4020H12	12	6.0 to 13.5	0.25	3	10000	0.26	9.15	8.5	0.33	27.2
GD4020H24	24	18 to 26.5	0.12	2.88						

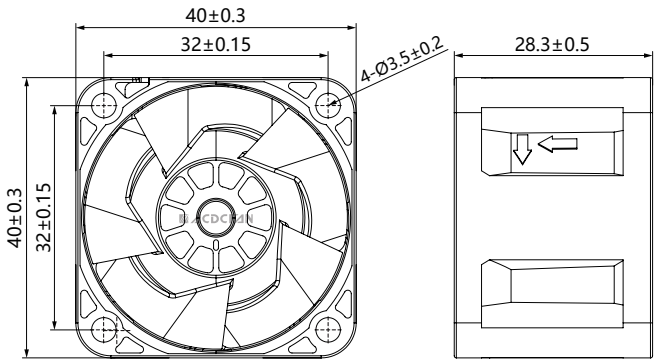
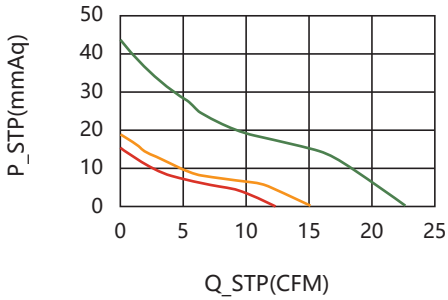
GD4028 Series

40x40x28mm (1.6"x1.6"x1.1")

Bearing system:	Ball bearing
Weight:	29.8g
Frame:	Thermoplastic PBT UL 94V-0
Impeller:	Thermoplastic PBT UL 94V-0



Parameter



P&Q Curve (At Rated Voltage)
Dimensions Drawing

Motor protection				
RP	SS	AS	CL	OVP
●	●	●	○	○

Signal output			
FG	RD	RDB	LD
●	●	○	○

Speed control mode				
PWM	TC	VC	CC	CS
●	○	○	○	○

Available Functions

Model	Voltage (VDC)	Voltage Range (VDC)	Current (A)	Power (W)	Speed (RPM)	Maximum Air Flow		Maximum Air Pressure		Noise dB(A)
						m³/min	CFM	mmH₂O	INH₂O	
GD4028L12	12	6.0 to 13.5	0.3	3.6	8500	0.354	12.5	15.5	0.61	35.5
GD4028L24	24	18 to 26.5	0.18	4.32						
GD4028M12	12	6.0 to 13.5	0.5	6	13000	0.43	15.2	19.2	0.76	40.2
GD4028M24	24	18 to 26.5	0.3	7.2						
GD4028H12	12	6.0 to 13.5	0.8	9.6	20000	0.616	21.8	43.63	1.72	58
GD4028H24	24	18 to 26.5	0.5	12						

Air Performance

GD5010 Series

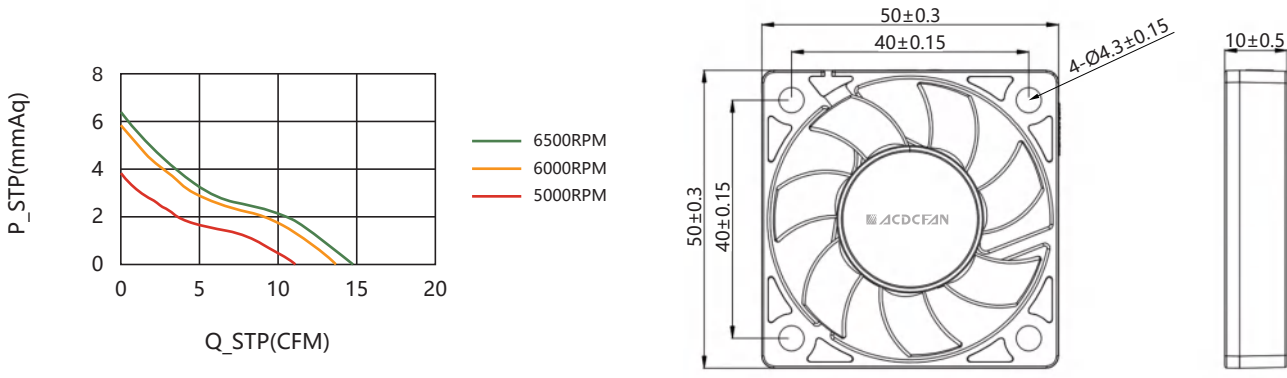
50x50x10mm (2"x2"x0.4")



Bearing system:	Ball bearing or Sleeve
Weight:	16.9g
Frame:	Thermoplastic PBT UL 94V-0
Impeller:	Thermoplastic PBT UL 94V-0

Parameter

P&Q Curve (At Rated Voltage)
Dimensions Drawing



Available Functions

Motor protection					Signal output				Speed control mode				
RP	SS	AS	CL	OVP	FG	RD	RDB	LD	PWM	TC	VC	CC	CS
●	●	●	○	○	●	●	○	○	●	○	○	○	○

Air Performance

Model	Voltage (VDC)	Voltage Range (VDC)	Current (A)	Power (W)	Speed (RPM)	Maximum Air Flow		Maximum Air Pressure		Noise dB(A)
						m³/min	CFM	mmH₂O	INH₂O	
GD5010L05	5	3.6 to 6.8	0.17	0.85	5000	0.32	11.23	3.8	0.15	28.5
GD5010L12	12	6.0 to 13.5	0.1	1.2						
GD5010M05	5	3.6 to 6.8	0.23	1.15	6000	0.38	13.61	5.89	0.23	32.6
GD5010M12	12	6.0 to 13.5	0.14	1.68						
GD5010M24	24	18 to 26.5	0.08	1.92						
GD5010H12	12	6.0 to 13.5	0.22	2.64	6500	0.42	14.74	6.38	0.25	34.2
GD5010H24	24	18 to 26.5	0.12	2.88						

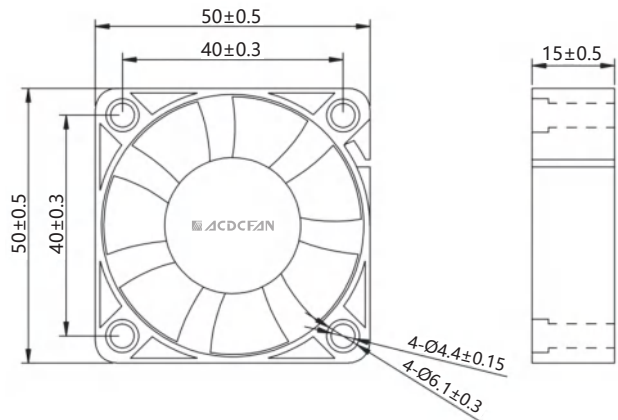
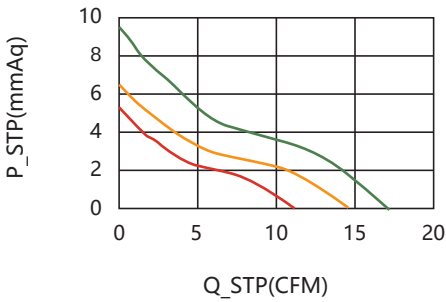
GD5015 Series

50x50x15mm (2"x2"x0.6")

Bearing system:	Ball bearing or Sleeve
Weight:	26.4g
Frame:	Thermoplastic PBT UL 94V-0
Impeller:	Thermoplastic PBT UL 94V-0



Parameter



P&Q Curve (At Rated Voltage)
Dimensions Drawing

Motor protection				
RP	SS	AS	CL	OVP
●	●	●	○	○

Signal output			
FG	RD	RDB	LD
●	●	○	○

Speed control mode				
PWM	TC	VC	CC	CS
●	○	○	○	○

Available Functions

Model	Voltage (VDC)	Voltage Range (VDC)	Current (A)	Power (W)	Speed (RPM)	Maximum Air Flow		Maximum Air Pressure		Noise dB(A)
						m ³ /min	CFM	mmH ₂ O	INH ₂ O	
GD5015L05	5	3.6 to 6.8	0.21	1.05	5300	0.311	11.11	5.29	0.21	32.2
GD5015L12	12	6.0 to 13.5	0.12	1.44						
GD5015L24	24	18 to 26.5	0.08	1.92						
GD5015M12	12	6.0 to 13.5	0.21	2.52	6400	0.411	14.66	6.5	0.26	34.6
GD5015M24	24	18 to 26.5	0.1	2.4						
GD5015H12	12	6.0 to 13.5	0.26	3.12	7500	0.491	17.18	9.5	0.37	38.1
GD5015H24	24	18 to 26.5	0.15	3.6						

Air Performance

GD5020 Series

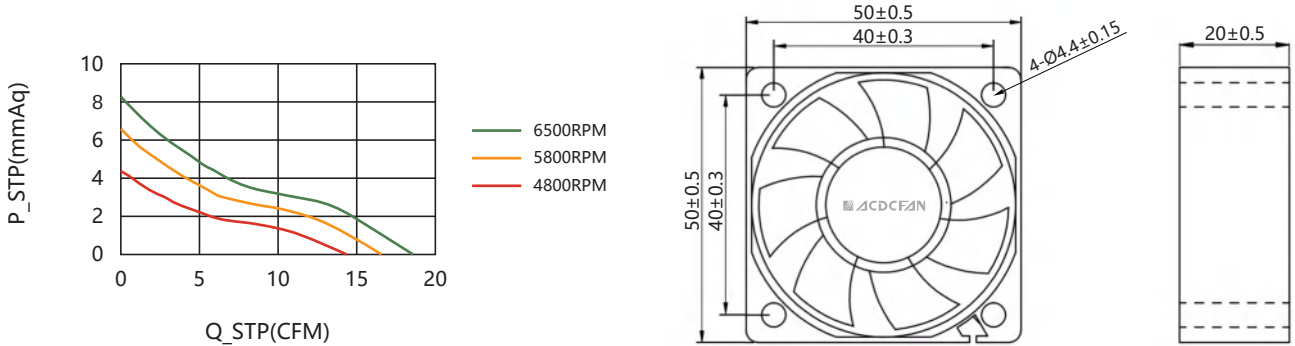
50x50x20mm (2"x2"x0.8")



Bearing system:	Ball bearing or Sleeve
Weight:	31.6g
Frame:	Thermoplastic PBT UL 94V-0
Impeller:	Thermoplastic PBT UL 94V-0

Parameter

P&Q Curve (At Rated Voltage)
Dimensions Drawing



Available Functions

Motor protection					Signal output				Speed control mode				
RP	SS	AS	CL	OVP	FG	RD	RDB	LD	PWM	TC	VC	CC	CS
●	●	●	○	○	●	●	○	○	●	○	○	○	○

Air Performance

Model	Voltage (VDC)	Voltage Range (VDC)	Current (A)	Power (W)	Speed (RPM)	Maximum Air Flow		Maximum Air Pressure		Noise dB(A)
						m³/min	CFM	mmH₂O	INH₂O	
GD5020L05	5	3.6 to 6.8	0.22	1.1	4800	0.41	14.36	4.39	0.17	28.7
GD5020L12	12	6.0 to 13.5	0.19	2.28						
GD5020L24	24	18 to 26.5	0.1	2.4						
GD5020M05	5	3.6 to 6.8	0.4	2	5800	0.47	16.67	6.59	0.26	34.3
GD5020M12	12	6.0 to 13.5	0.22	2.64						
GD5020M24	24	18 to 26.5	0.11	2.64						
GD5020H12	12	6.0 to 13.5	0.28	3.36	6500	0.53	18.68	8.2	0.32	39.2
GD5020H24	24	18 to 26.5	0.18	4.32						

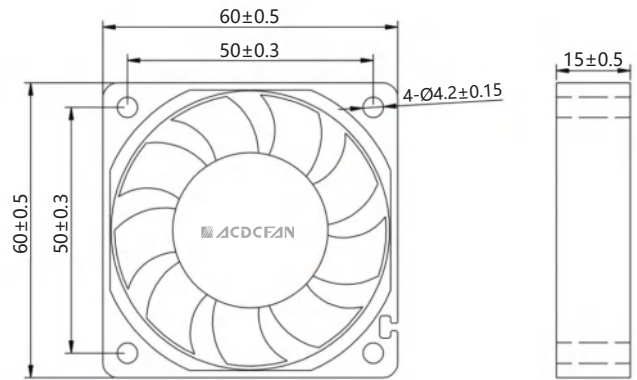
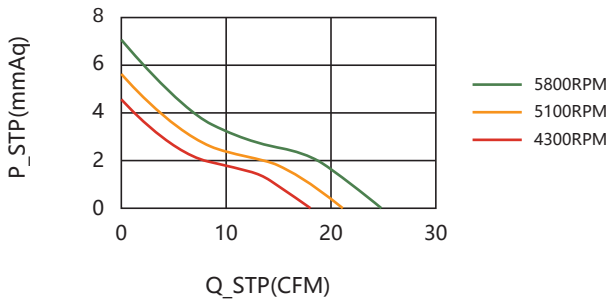
GD6015 Series

60x60x15mm (2.4"x2.4"x0.6")

Bearing system:	Ball bearing or Sleeve
Weight:	37.3g
Frame:	Thermoplastic PBT UL 94V-0
Impeller:	Thermoplastic PBT UL 94V-0



Parameter



P&Q Curve (At Rated Voltage)
Dimensions Drawing

Motor protection				
RP	SS	AS	CL	OVP
<input checked="" type="radio"/>	<input checked="" type="radio"/>	<input checked="" type="radio"/>	<input type="radio"/>	<input type="radio"/>

Signal output			
FG	RD	RDB	LD
<input checked="" type="radio"/>	<input checked="" type="radio"/>	<input type="radio"/>	<input type="radio"/>

Speed control mode				
PWM	TC	VC	CC	CS
<input checked="" type="radio"/>	<input type="radio"/>	<input type="radio"/>	<input type="radio"/>	<input type="radio"/>

Available Functions

Model	Voltage (VDC)	Voltage Range (VDC)	Current (A)	Power (W)	Speed (RPM)	Maximum Air Flow		Maximum Air Pressure		Noise dB(A)
						m ³ /min	CFM	mmH ₂ O	INH ₂ O	
GD6015L05	5	3.6 to 6.8	0.21	1.05	4300	0.51	18.17	4.6	0.18	35.1
GD6015L12	12	6.0 to 13.5	0.1	1.2						
GD6015L24	24	18 to 26.5	0.06	1.44						
GD6015M12	12	6.0 to 13.5	0.17	2.04	5100	0.61	21.27	5.68	0.22	37.4
GD6015M24	24	18 to 26.5	0.08	1.92						
GD6015H12	12	6.0 to 13.5	0.2	2.4	5800	0.71	24.79	7.1	0.28	39.8
GD6015H24	24	18 to 26.5	0.11	2.64						

Air Performance

GD6020 Series

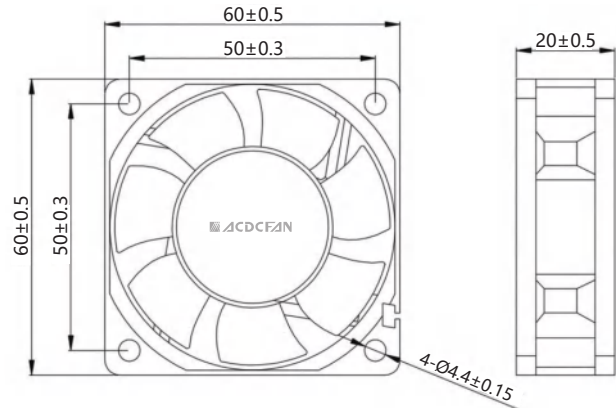
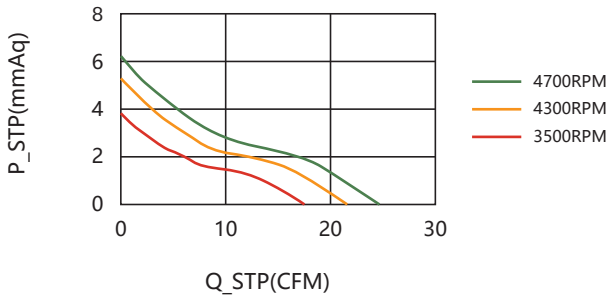
60x60x20mm (2.4"x2.4"x0.8")



Bearing system:	Ball bearing or Sleeve
Weight:	47.3g
Frame:	Thermoplastic PBT UL 94V-0
Impeller:	Thermoplastic PBT UL 94V-0

Parameter

P&Q Curve (At Rated Voltage)
Dimensions Drawing



Available Functions

Motor protection				
RP	SS	AS	CL	OVP
<input checked="" type="radio"/>	<input checked="" type="radio"/>	<input checked="" type="radio"/>	<input type="radio"/>	<input type="radio"/>

Signal output			
FG	RD	RDB	LD
<input checked="" type="radio"/>	<input checked="" type="radio"/>	<input type="radio"/>	<input type="radio"/>

Speed control mode				
PWM	TC	VC	CC	CS
<input checked="" type="radio"/>	<input type="radio"/>	<input type="radio"/>	<input type="radio"/>	<input type="radio"/>

Air Performance

Model	Voltage (VDC)	Voltage Range (VDC)	Current (A)	Power (W)	Speed (RPM)	Maximum Air Flow		Maximum Air Pressure		Noise dB(A)
						m³/min	CFM	mmH₂O	INH₂O	
GD6020L05	5	3.6 to 6.8	0.21	1.05	3500	0.51	17.83	3.87	0.15	27.9
GD6020L12	12	6.0 to 13.5	0.1	1.2						
GD6020L24	24	18 to 26.5	0.06	1.44						
GD6020M12	12	6.0 to 13.5	0.17	2.04	4300	0.62	21.81	5.3	0.21	34.2
GD6020M24	24	18 to 26.5	0.09	2.16						
GD6020H12	12	6.0 to 13.5	0.2	2.4	4700	0.71	24.91	6.2	0.24	36.8
GD6020H24	24	18 to 26.5	0.11	2.64						

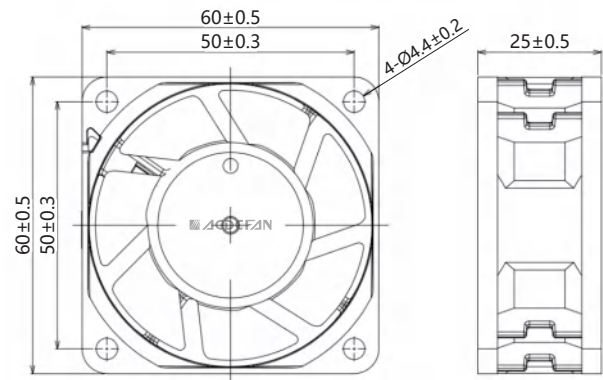
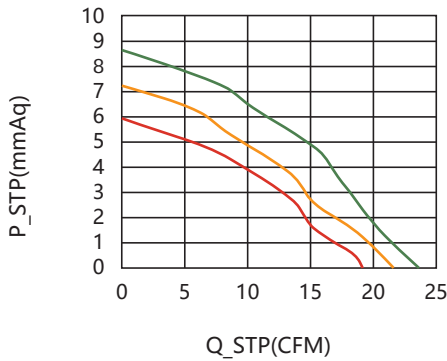
GD6025 Series

60x60x25mm (2.4"x2.4"x1")

Bearing system:	Ball bearing or Sleeve
Weight:	61.2g
Frame:	Thermoplastic PBT UL 94V-0
Impeller:	Thermoplastic PBT UL 94V-0
Option:	Customized IP67/IP68 protection level



Parameter



P&Q Curve (At Rated Voltage)
Dimensions Drawing

Motor protection				
RP	SS	AS	CL	OVP
●	●	●	○	○

Signal output			
FG	RD	RDB	LD
●	●	○	○

Speed control mode				
PWM	TC	VC	CC	CS
●	○	○	○	○

Available Functions

Model	Voltage (VDC)	Voltage Range (VDC)	Current (A)	Power (W)	Speed (RPM)	Maximum Air Flow		Maximum Air Pressure		Noise dB(A)
						m ³ /min	CFM	mmH ₂ O	INH ₂ O	
GD6025L12	12	6.0 to 13.5	0.15	1.8	4000	0.542	19.158	5.944	0.234	36.9
GD6025L24	24	18 to 26.5	0.08	1.92						
GD6025L48	48	36 to 54	0.04	1.92						
GD6025M12	12	6.0 to 13.5	0.3	3.6	5500	0.612	21.62	7.236	0.285	38
GD6025M24	24	18 to 26.5	0.15	3.6						
GD6025M48	48	36 to 54	0.08	3.84						
GD6025H12	12	6.0 to 13.5	0.45	5.4	7000	0.668	23.596	8.657	0.341	41.1
GD6025H24	24	18 to 26.5	0.25	6						
GD6025H48	48	36 to 54	0.12	5.76						

Air Performance

GD6038 Xflow Series

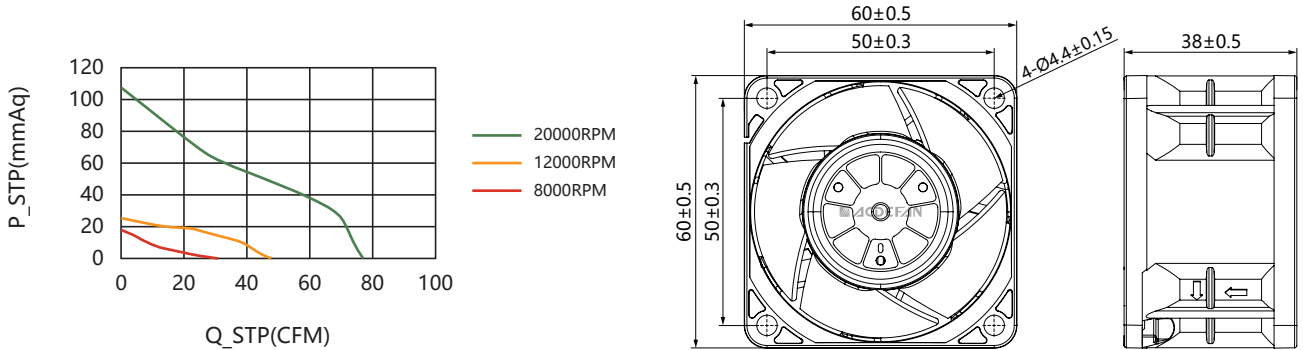
60x60x38mm (2.4"x2.4"x1.5")



Bearing system:	Ball bearing
Weight:	104g
Frame:	Thermoplastic PBT UL 94V-0
Impeller:	Thermoplastic PBT UL 94V-0

Parameter

P&Q Curve (At Rated Voltage)
Dimensions Drawing



Available Functions

Motor protection					Signal output				Speed control mode				
RP	SS	AS	CL	OVP	FG	RD	RDB	LD	PWM	TC	VC	CC	CS
●	●	●	○	○	●	●	○	○	●	○	○	○	○

Air Performance

Model	Voltage (VDC)	Voltage Range (VDC)	Current (A)	Power (W)	Speed (RPM)	Maximum Air Flow		Maximum Air Pressure		Noise dB(A)
						m³/min	CFM	mmH₂O	INH₂O	
GD6038L12	12	6.0 to 13.5	0.6	7.2	8000	0.87	30.76	17.17	0.68	47.1
GD6038L24	24	18 to 26.5	0.2	4.8						
GD6038L48	48	36 to 54	0.15	7.2						
GD6038M12	12	6.0 to 13.5	1.5	18	12000	1.34	47.19	38.64	1.52	57.4
GD6038M24	24	18 to 26.5	0.35	8.4						
GD6038M48	48	36 to 54	0.3	14.4						
GD6038H12	12	6.0 to 13.5	2.5	30	20000	2.18	76.89	107.32	4.23	69
GD6038H24	24	18 to 26.5	0.7	16.8						
GD6038H48	48	36 to 54	0.5	24						

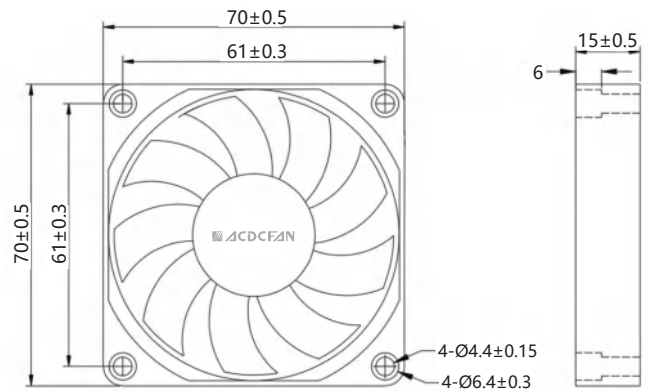
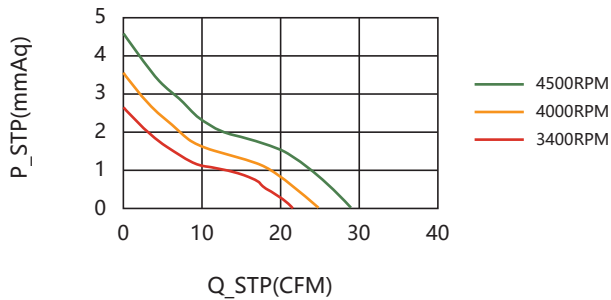
GD7015 Series

70x70x15mm (2.8"x2.8"x0.6")

Bearing system:	Ball bearing or Sleeve
Weight:	43.5g
Frame:	Thermoplastic PBT UL 94V-0
Impeller:	Thermoplastic PBT UL 94V-0



Parameter



P&Q Curve (At Rated Voltage)
Dimensions Drawing

Motor protection				
RP	SS	AS	CL	OVP
●	●	●	○	○

Signal output			
FG	RD	RDB	LD
●	●	○	○

Speed control mode				
PWM	TC	VC	CC	CS
●	○	○	○	○

Available Functions

Model	Voltage (VDC)	Voltage Range (VDC)	Current (A)	Power (W)	Speed (RPM)	Maximum Air Flow		Maximum Air Pressure		Noise dB(A)
						m ³ /min	CFM	mmH ₂ O	INH ₂ O	
GD7015L05	5	3.6 to 6.8	0.21	1.05	3400	0.62	21.85	2.7	0.11	28.2
GD7015L12	12	6.0 to 13.5	0.12	1.44						
GD7015L24	24	18 to 26.5	0.07	1.68						
GD7015M12	12	6.0 to 13.5	0.19	2.28	4000	0.71	25.01	3.6	0.142	32.7
GD7015M24	24	18 to 26.5	0.09	2.16						
GD7015H12	12	6.0 to 13.5	0.26	3.12	4500	0.82	29.02	4.65	0.183	34.8
GD7015H24	24	18 to 26.5	0.13	3.12						

Air Performance

GD7020 Series

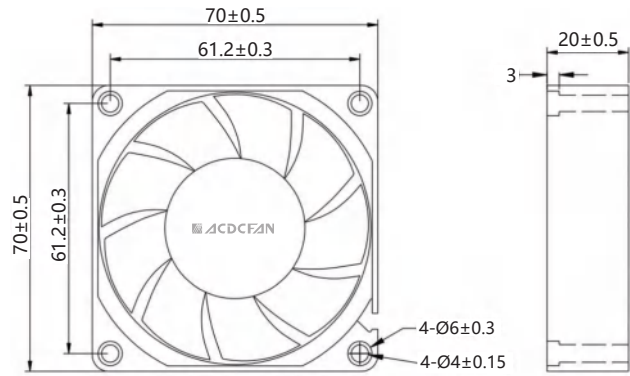
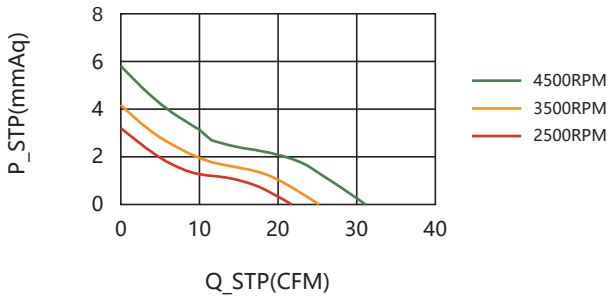
70x70x20mm (2.8"x2.8"x0.8")



Bearing system:	Ball bearing or Sleeve
Weight:	59.3g
Frame:	Thermoplastic PBT UL 94V-0
Impeller:	Thermoplastic PBT UL 94V-0

Parameter

P&Q Curve (At Rated Voltage)
Dimensions Drawing



Available Functions

Motor protection					Signal output				Speed control mode				
RP	SS	AS	CL	OVP	FG	RD	RDB	LD	PWM	TC	VC	CC	CS
●	●	●	○	○	●	●	○	○	●	○	○	○	○

Air Performance

Model	Voltage (VDC)	Voltage Range (VDC)	Current (A)	Power (W)	Speed (RPM)	Maximum Air Flow		Maximum Air Pressure		Noise dB(A)
						m³/min	CFM	mmH₂O	INH₂O	
GD7020L12	12	6.0 to 13.5	0.12	1.44	2500	0.489	17.29	2.068	0.082	31.2
GD7020L24	24	18 to 26.5	0.08	1.92		0.723	25.54	4.135	0.163	
GD7020M12	12	6.0 to 13.5	0.24	2.88	3500	1.004	35.48	7.494	0.295	39.4
GD7020M24	24	18 to 26.5	0.13	3.12						
GD7020H12	12	6.0 to 13.5	0.35	4.2	4500	1.004	35.48	7.494	0.295	39.4
GD7020H24	24	18 to 26.5	0.22	5.28						

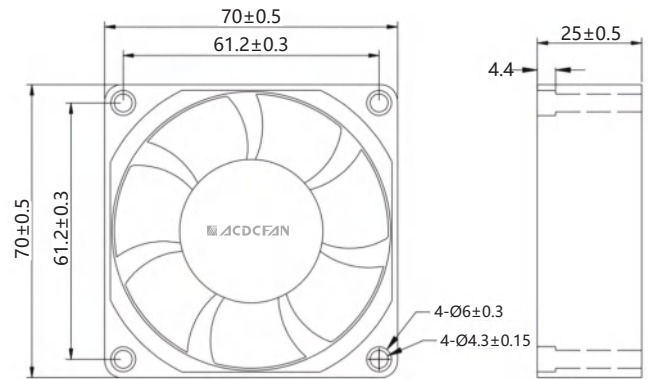
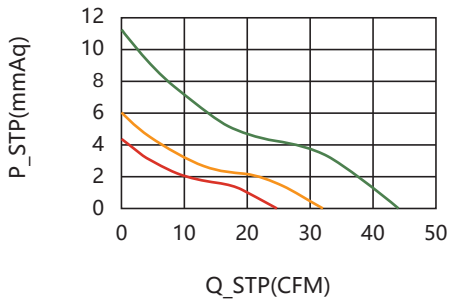
GD7025 Series

70x70x25mm (2.8"x2.8"x1")

Bearing system:	Ball bearing or Sleeve
Weight:	67.3g
Frame:	Thermoplastic PBT UL 94V-0
Impeller:	Thermoplastic PBT UL 94V-0



Parameter



P&Q Curve (At Rated Voltage)
Dimensions Drawing

Motor protection				
RP	SS	AS	CL	OVP
●	●	●	○	○

Signal output			
FG	RD	RDB	LD
●	●	○	○

Speed control mode				
PWM	TC	VC	CC	CS
●	○	○	○	○

Available Functions

Model	Voltage (VDC)	Voltage Range (VDC)	Current (A)	Power (W)	Speed (RPM)	Maximum Air Flow		Maximum Air Pressure		Noise dB(A)
						m³/min	CFM	mmH ₂ O	INH ₂ O	
GD7025L12	12	6.0 to 13.5	0.1	1.2	3000	0.64	22.71	3.49	0.14	34
GD7025L24	24	18 to 26.5	0.07	1.68		0.93	32.64	6.07	0.24	
GD7025M12	12	6.0 to 13.5	0.16	1.92	4000	1.26	44.37	11.24	0.44	45.6
GD7025M24	24	18 to 26.5	0.11	2.64		1.26	44.37	11.24	0.44	
GD7025H12	12	6.0 to 13.5	0.27	3.24	4900	1.26	44.37	11.24	0.44	45.6
GD7025H24	24	18 to 26.5	0.17	4.08		1.26	44.37	11.24	0.44	

Air Performance

GD8015 Series

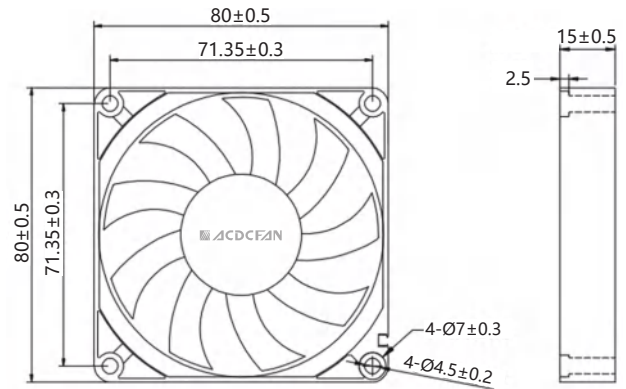
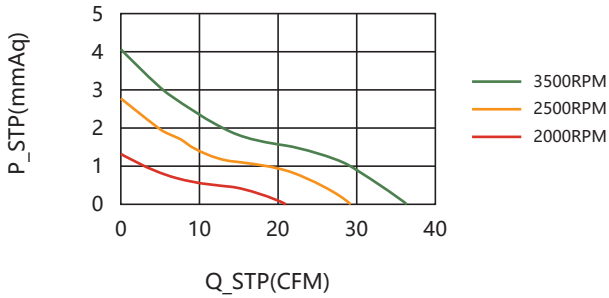
80x80x15mm (3.1"x3.1"x0.6")



Bearing system:	Ball bearing or Sleeve
Weight:	48.8g
Frame:	Thermoplastic PBT UL 94V-0
Impeller:	Thermoplastic PBT UL 94V-0

Parameter

P&Q Curve (At Rated Voltage)
Dimensions Drawing



Available Functions

Motor protection				
RP	SS	AS	CL	OVP
<input checked="" type="radio"/>	<input checked="" type="radio"/>	<input checked="" type="radio"/>	<input type="radio"/>	<input type="radio"/>

Signal output			
FG	RD	RDB	LD
<input checked="" type="radio"/>	<input checked="" type="radio"/>	<input type="radio"/>	<input type="radio"/>

Speed control mode				
PWM	TC	VC	CC	CS
<input checked="" type="radio"/>	<input type="radio"/>	<input type="radio"/>	<input type="radio"/>	<input type="radio"/>

Air Performance

Model	Voltage (VDC)	Voltage Range (VDC)	Current (A)	Power (W)	Speed (RPM)	Maximum Air Flow		Maximum Air Pressure		Noise dB(A)
						m³/min	CFM	mmH₂O	INH₂O	
GD8015L05	5	3.6 to 6.8	0.24	1.2	2000	0.61	21.26	1.29	0.05	26.6
GD8015L12	12	6.0 to 13.5	0.1	1.2						
GD8015M12	12	6.0 to 13.5	0.13	1.56	2500	0.83	29.51	2.77	0.11	29.2
GD8015M24	24	18 to 26.5	0.08	1.92						
GD8015H12	12	6.0 to 13.5	0.3	3.6	3500	1.04	36.64	4.05	0.16	35.6
GD8015H24	24	18 to 26.5	0.18	4.32						

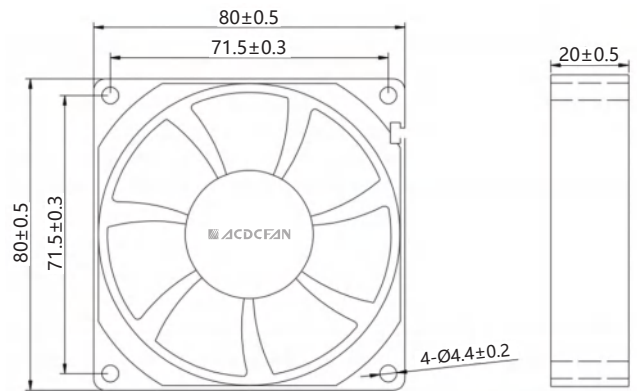
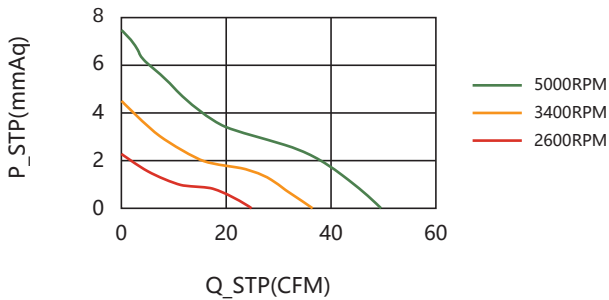
GD8020 Series

80x80x20mm (3.1"x3.1"x0.8")

Bearing system:	Ball bearing or Sleeve
Weight:	59.5g
Frame:	Thermoplastic PBT UL 94V-0
Impeller:	Thermoplastic PBT UL 94V-0



Parameter



P&Q Curve (At Rated Voltage)
Dimensions Drawing

Motor protection				
RP	SS	AS	CL	OVP
●	●	●	○	○

Signal output			
FG	RD	RDB	LD
●	●	○	○

Speed control mode				
PWM	TC	VC	CC	CS
●	○	○	○	○

Available Functions

Model	Voltage (VDC)	Voltage Range (VDC)	Current (A)	Power (W)	Speed (RPM)	Maximum Air Flow		Maximum Air Pressure		Noise dB(A)
						m ³ /min	CFM	mmH ₂ O	INH ₂ O	
GD8020L12	12	6.0 to 13.5	0.11	1.32	2600	0.71	25.29	2.3	0.09	29.9
GD8020L24	24	18 to 26.5	0.07	1.68		1.04	36.64	4.52	0.18	36.2
GD8020M12	12	6.0 to 13.5	0.19	2.28	3400	1.41	49.68	7.5	0.295	43.7
GD8020M24	24	18 to 26.5	0.12	2.88						
GD8020H24	24	18 to 26.5	0.24	5.76	5000	1.41	49.68	7.5	0.295	43.7
GD8020H48	48	36 to 54	0.12	5.76						

Air Performance

GD8025 Series

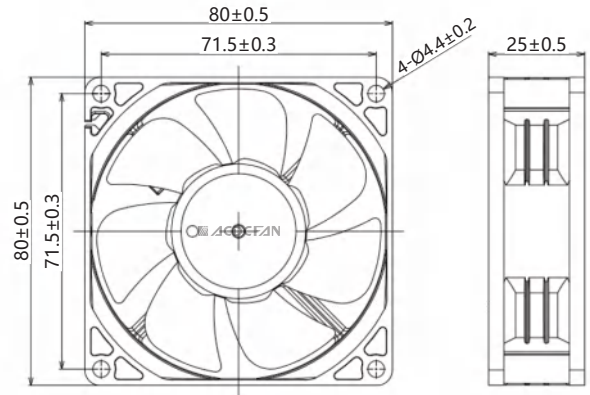
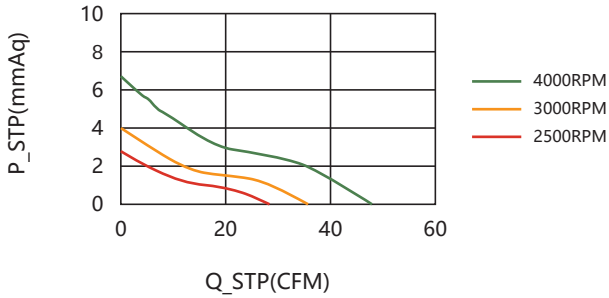
80x80x25mm (3.1"x3.1"x1")



Bearing system:	Ball bearing or Sleeve
Weight:	72g
Frame:	Thermoplastic PBT UL 94V-0
Impeller:	Thermoplastic PBT UL 94V-0
Option:	Customized IP67/IP68 protection level

Parameter

P&Q Curve (At Rated Voltage)
Dimensions Drawing



Available Functions

Motor protection					Signal output				Speed control mode				
RP	SS	AS	CL	OVP	FG	RD	RDB	LD	PWM	TC	VC	CC	CS
●	●	●	○	○	●	●	○	○	●	○	○	○	○

Air Performance

Model	Voltage (VDC)	Voltage Range (VDC)	Current (A)	Power (W)	Speed (R.P.M)	Maximum Air Flow		Maximum Air Pressure		Noise dB(A)
						m ³ /min	CFM	mmH ₂ O	INH ₂ O	
GD8025L12	12	6.0 to 13.5	0.15	1.8	2500	0.82	28.91	1.843	0.07	28.3
GD8025L24	24	18 to 26.5	0.08	1.92						
GD8025M12	12	6.0 to 13.5	0.3	3.6	3000	1.04	36.63	4	0.16	35.2
GD8025M24	24	18 to 26.5	0.15	3.6						
GD8025H12	12	6.0 to 13.5	0.45	5.4	4000	1.38	44.2	6.72	0.26	42.9
GD8025H24	24	18 to 26.5	0.25	6						
GD8025H48	48	36 to 54	0.1	4.8						

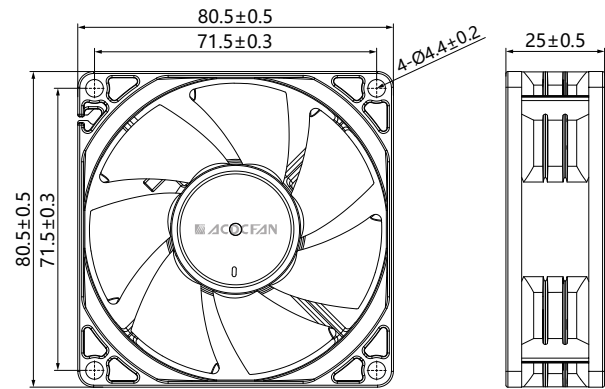
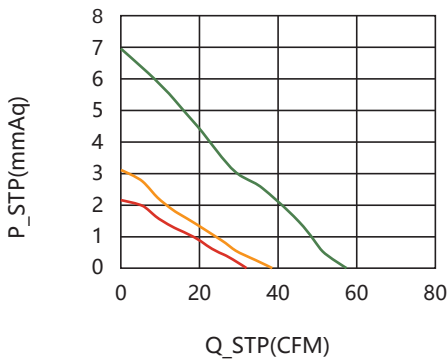
GD8025 Xflow Series

80x80x25mm (3.1"x3.1"x1")

Bearing system:	Ball bearing or Sleeve
Weight:	72g
Frame:	Thermoplastic PBT UL 94V-0
Impeller:	Thermoplastic PBT UL 94V-0
Option:	Customized IP67/IP68 protection level



Parameter



P&Q Curve (At Rated Voltage)
Dimensions Drawing

Motor protection				
RP	SS	AS	CL	OVP
<input checked="" type="radio"/>	<input checked="" type="radio"/>	<input checked="" type="radio"/>	<input type="radio"/>	<input type="radio"/>

Signal output			
FG	RD	RDB	LD
<input checked="" type="radio"/>	<input checked="" type="radio"/>	<input type="radio"/>	<input type="radio"/>

Speed control mode				
PWM	TC	VC	CC	CS
<input checked="" type="radio"/>	<input type="radio"/>	<input type="radio"/>	<input type="radio"/>	<input type="radio"/>

Available Functions

Model	Voltage (VDC)	Voltage Range (VDC)	Current (A)	Power (W)	Speed (RPM)	Maximum Air Flow		Maximum Air Pressure		Noise dB(A)
						m³/min	CFM	mmH₂O	INH₂O	
GD8025L12	12	6.0 to 13.5	0.15	1.8	2500	0.9	31.85	2.15	0.08	31.5
GD8025L24	24	18 to 26.5	0.1	2.4						
GD8025L48	48	36 to 54	0.05	2.4						
GD8025M12	12	6.0 to 13.5	0.3	3.6	3000	1.08	38.23	3.1	0.12	35.7
GD8025M24	24	18 to 26.5	0.15	3.6						
GD8025M48	48	36 to 54	0.08	3.84						
GD8025H12	12	6.0 to 13.5	0.5	6	4500	1.62	57.34	6.97	0.27	45.4
GD8025H24	24	18 to 26.5	0.25	6						
GD8025H48	48	36 to 54	0.12	5.76						

Air Performance

GD8038 XPressure Series

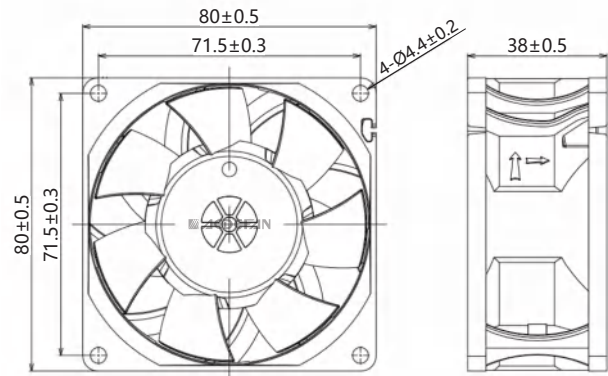
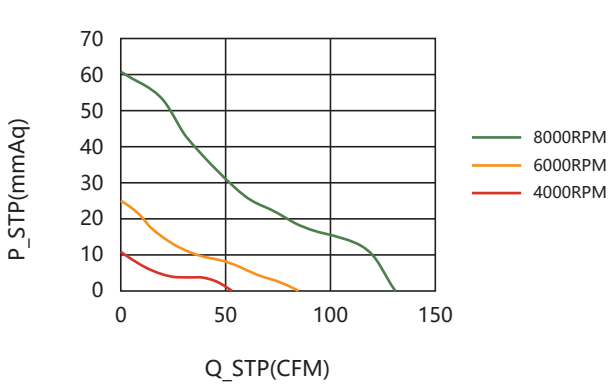
80x80x38mm (3.1"x3.1"x1.5")



Bearing system:	Ball bearing
Weight:	177.6g
Frame:	Thermoplastic PBT UL 94V-0
Impeller:	Thermoplastic PBT UL 94V-0
Option:	Customized IP67/IP68 protection level

Parameter

P&Q Curve (At Rated Voltage)
Dimensions Drawing



Available Functions

Motor protection					Signal output				Speed control mode				
RP	SS	AS	CL	OVP	FG	RD	RDB	LD	PWM	TC	VC	CC	CS
●	●	●	○	○	●	●	○	○	●	○	○	○	○

Air Performance

Model	Voltage (VDC)	Voltage Range (VDC)	Current (A)	Power (W)	Speed (RPM)	Maximum Air Flow		Maximum Air Pressure		Noise dB(A)
						m³/min	CFM	mmH₂O	INH₂O	
GD8038L12	12	6.0 to 13.5	0.5	6	4000	1.49	52.52	10.46	0.41	42
GD8038L24	24	18 to 26.5	0.25	6						
GD8038L48	48	36 to 54	0.12	5.76						
GD8038M12	12	6.0 to 13.5	0.9	10.8	6000	2.39	84.32	24.95	0.98	57.3
GD8038M24	24	18 to 26.5	0.45	10.8						
GD8038H12	12	6.0 to 13.5	1.6	19.2	8000	4.08	131	60.61	2.39	69.5
GD8038H24	24	18 to 26.5	0.8	19.2						
GD8038H48	48	36 to 54	0.4	19.2						

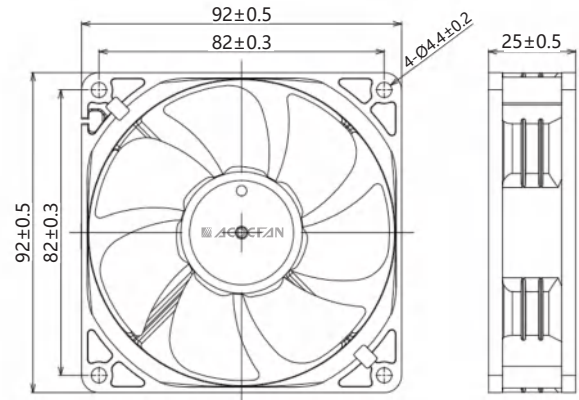
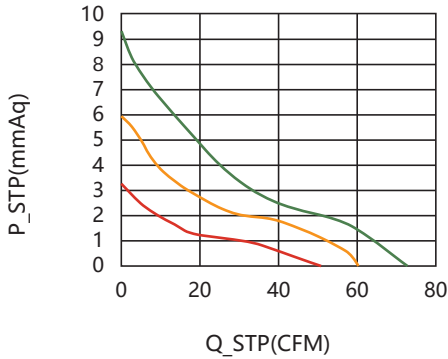
GD9225 Series

92x92x25mm (3.6"x3.6"x1")

Bearing system:	Ball bearing or Sleeve
Weight:	102g
Frame:	Thermoplastic PBT UL 94V-0
Impeller:	Thermoplastic PBT UL 94V-0
Option:	Customized IP67/IP68 protection level



Parameter



P&Q Curve (At Rated Voltage)
Dimensions Drawing

Motor protection				
RP	SS	AS	CL	OVP
●	●	●	○	○

Signal output			
FG	RD	RDB	LD
●	●	○	○

Speed control mode				
PWM	TC	VC	CC	CS
●	○	○	○	○

Available Functions

Model	Voltage (VDC)	Voltage Range (VDC)	Current (A)	Power (W)	Speed (RPM)	Maximum Air Flow		Maximum Air Pressure		Noise dB(A)
						m ³ /min	CFM	mmH ₂ O	INH ₂ O	
GD9225L12	12	6.0 to 13.5	0.15	1.8	2500	1.43	50.66	3.23	0.13	33.6
GD9225L24	24	18 to 26.5	0.08	1.92						
GD9225L48	48	36 to 54	0.04	1.92						
GD9225M12	12	6.0 to 13.5	0.30	3.6	3500	1.71	60.25	5.94	0.23	40.9
GD9225M24	24	18 to 26.5	0.15	3.6						
GD9225M48	48	36 to 54	0.12	5.76						
GD9225H12	12	6.0 to 13.5	0.45	5.4	4500	2.06	72.79	9.3	0.37	45.3
GD9225H24	24	18 to 26.5	0.25	6						
GD9225H48	48	36 to 54	0.12	5.76						

Air Performance

GD9238 XPressure Series

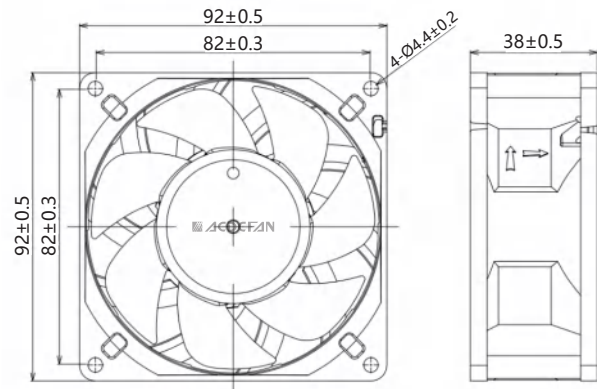
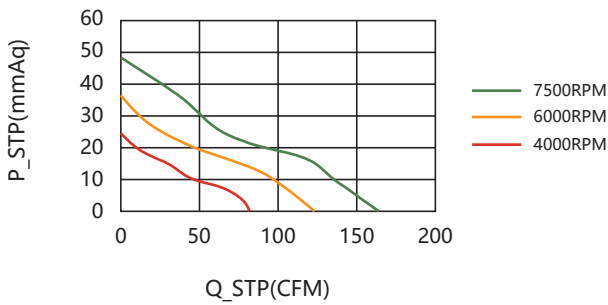
92x92x38mm (3.6"x3.6"x1.5")



Bearing system:	Ball bearing
Weight:	202g
Frame:	Thermoplastic PBT UL 94V-0
Impeller:	Thermoplastic PBT UL 94V-0
Option:	Customized IP67/IP68 protection level

Parameter

P&Q Curve (At Rated Voltage)
Dimensions Drawing



Available Functions

Motor protection					Signal output				Speed control mode				
RP	SS	AS	CL	OVP	FG	RD	RDB	LD	PWM	TC	VC	CC	CS
●	●	●	○	○	●	●	○	○	●	○	○	○	○

Air Performance

Model	Voltage (VDC)	Voltage Range (VDC)	Current (A)	Power (W)	Speed (RPM)	Maximum Air Flow		Maximum Air Pressure		Noise dB(A)
						m ³ /min	CFM	mmH ₂ O	INH ₂ O	
GD9238L12	12	6.0 to 13.5	0.5	6	4000	2.33	82.04	24.27	0.96	37.0
GD9238L24	24	18 to 26.5	0.25	6						
GD9238L48	48	36 to 54	0.12	5.76						
GD9238M12	12	6.0 to 13.5	0.9	10.8	6000	3.49	123.05	36.4	1.43	55.6
GD9238M24	24	18 to 26.5	0.45	10.8						
GD9238M48	48	36 to 54	0.22	10.56						
GD9238H12	12	6.0 to 13.5	1.6	19.2	7500	4.66	164.07	48.53	1.91	74.0
GD9238H24	24	18 to 26.5	0.8	19.2						
GD9238H48	48	36 to 54	0.4	19.2						

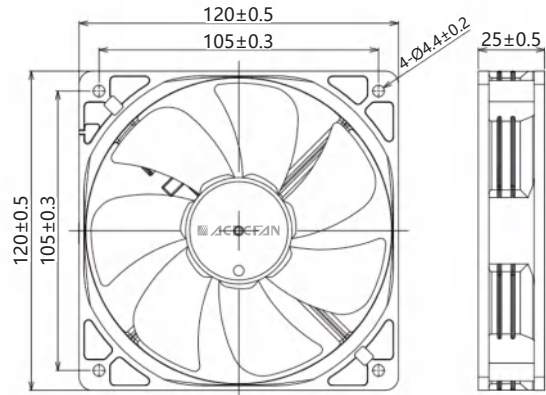
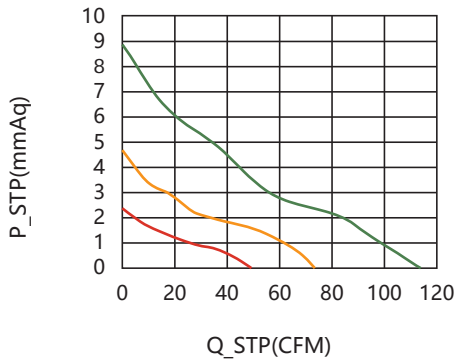
GD12025 Series

120x120x25mm (4.7"x4.7"x1")

Bearing system:	Ball bearing or Sleeve
Weight:	121.3g
Frame:	Thermoplastic PBT UL 94V-0
Impeller:	Thermoplastic PBT UL 94V-0
Option:	Customized IP67/IP68 protection level



Parameter



P&Q Curve (At Rated Voltage)
Dimensions Drawing

Motor protection				
RP	SS	AS	CL	OVP
<input checked="" type="radio"/>	<input checked="" type="radio"/>	<input checked="" type="radio"/>	<input type="radio"/>	<input type="radio"/>

Signal output			
FG	RD	RDB	LD
<input checked="" type="radio"/>	<input checked="" type="radio"/>	<input type="radio"/>	<input type="radio"/>

Speed control mode				
PWM	TC	VC	CC	CS
<input checked="" type="radio"/>	<input type="radio"/>	<input type="radio"/>	<input type="radio"/>	<input type="radio"/>

Available Functions

Model	Voltage (VDC)	Voltage Range (VDC)	Current (A)	Power (W)	Speed (RPM)	Maximum Air Flow		Maximum Air Pressure		Noise dB(A)
						m ³ /min	CFM	mmH ₂ O	INH ₂ O	
GD12025L12	12	6.0 to 13.5	0.15	1.8	2000	1.39	49.21	2.32	0.09	28.6
GD12025L24	24	18 to 26.5	0.08	1.92						
GD12025L48	48	36 to 54	0.04	1.92						
GD12025M12	12	6.0 to 13.5	0.3	3.6	2500	2.08	73.45	4.65	0.18	36.8
GD12025M24	24	18 to 26.5	0.15	3.6						
GD12025M48	48	36 to 54	0.08	3.84						
GD12025H12	12	6.0 to 13.5	0.45	5.4	3500	3.22	113.9	8.9	0.35	49.5
GD12025H24	24	18 to 26.5	0.25	6						
GD12025H48	48	36 to 54	0.12	5.76						

Air Performance

GD12038 Series

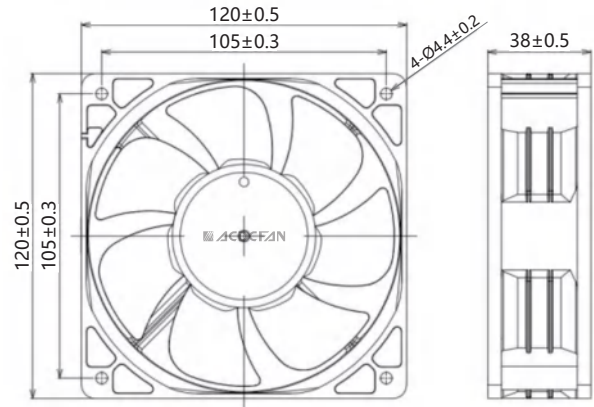
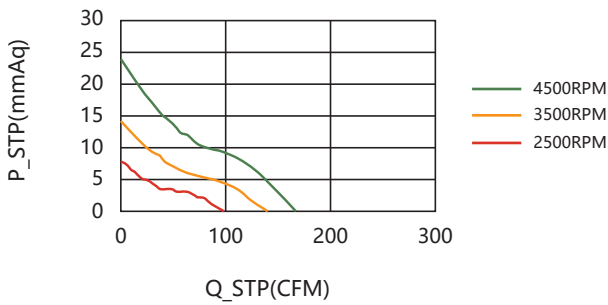
120x120x38mm (4.7"x4.7"x1.5")



Bearing system:	Ball bearing or Sleeve
Weight:	301.5g
Frame:	Thermoplastic PBT UL 94V-0
Impeller:	Thermoplastic PBT UL 94V-0
Option:	Customized IP67/IP68 protection level

Parameter

P&Q Curve (At Rated Voltage)
Dimensions Drawing



Available Functions

Motor protection					Signal output				Speed control mode				
RP	SS	AS	CL	OVP	FG	RD	RDB	LD	PWM	TC	VC	CC	CS
●	●	●	○	○	●	●	○	○	●	○	○	○	○

Air Performance

Model	Voltage (VDC)	Voltage Range (VDC)	Current (A)	Power (W)	Speed (RPM)	Maximum Air Flow		Maximum Air Pressure		Noise dB(A)
						m ³ /min	CFM	mmH ₂ O	INH ₂ O	
GD12038L12	12	6.0 to 13.5	0.35	4.2	2500	2.77	97.91	7.62	0.3	41.5
GD12038L24	24	18 to 26.5	0.15	3.6						
GD12038L48	48	36 to 54	0.08	3.84						
GD12038M12	12	6.0 to 13.5	0.8	9.6	3500	3.95	139.4	13.69	0.54	50.6
GD12038M24	24	18 to 26.5	0.3	7.2						
GD12038M48	48	36 to 54	0.15	7.2						
GD12038H12	12	6.0 to 13.5	1.6	19.2	4500	4.73	167.2	23.55	0.93	56.6
GD12038H24	24	18 to 26.5	0.8	19.2						
GD12038H48	48	36 to 54	0.4	19.2						

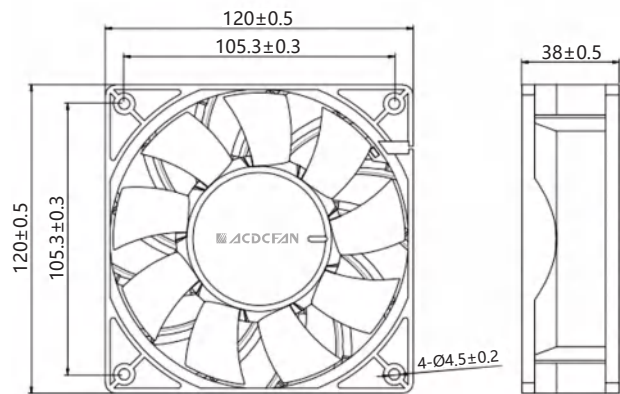
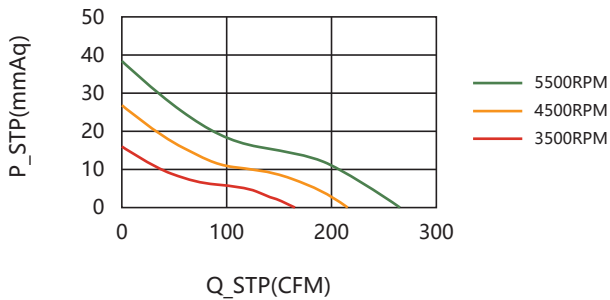
GD12038 XPressure Series

120x120x38mm (4.7"x4.7"x1.5")

Bearing system:	Ball bearing
Weight:	301.5g
Frame:	Thermoplastic PBT UL 94V-0
Impeller:	Thermoplastic PBT UL 94V-0



Parameter



P&Q Curve (At Rated Voltage)
Dimensions Drawing

Motor protection				
RP	SS	AS	CL	OVP
●	●	●	○	○

Signal output			
FG	RD	RDB	LD
●	●	○	○

Speed control mode				
PWM	TC	VC	CC	CS
●	○	○	○	○

Available Functions

Model	Voltage (VDC)	Voltage Range (VDC)	Current (A)	Power (W)	Speed (RPM)	Maximum Air Flow		Maximum Air Pressure		Noise dB(A)
						m ³ /min	CFM	mmH ₂ O	INH ₂ O	
GD12038L12	12	6.0 to 13.5	1	12	3500	4.72	166.37	15.35	0.60	46.5
GD12038L24	24	18 to 26.5	0.5	12						
GD12038L48	48	36 to 54	0.3	14.4						
GD12038M12	12	6.0 to 13.5	1.8	21.6	4500	6.13	215.87	26.43	1.04	63.3
GD12038M24	24	18 to 26.5	1	24						
GD12038M48	48	36 to 54	0.5	24						
GD12038H12	12	6.0 to 13.5	3	36	5500	7.56	266.52	38.23	1.51	67.9
GD12038H24	24	18 to 26.5	1.2	28.8						
GD12038H48	48	36 to 54	0.8	38.4						

Air Performance

GD15050 Series

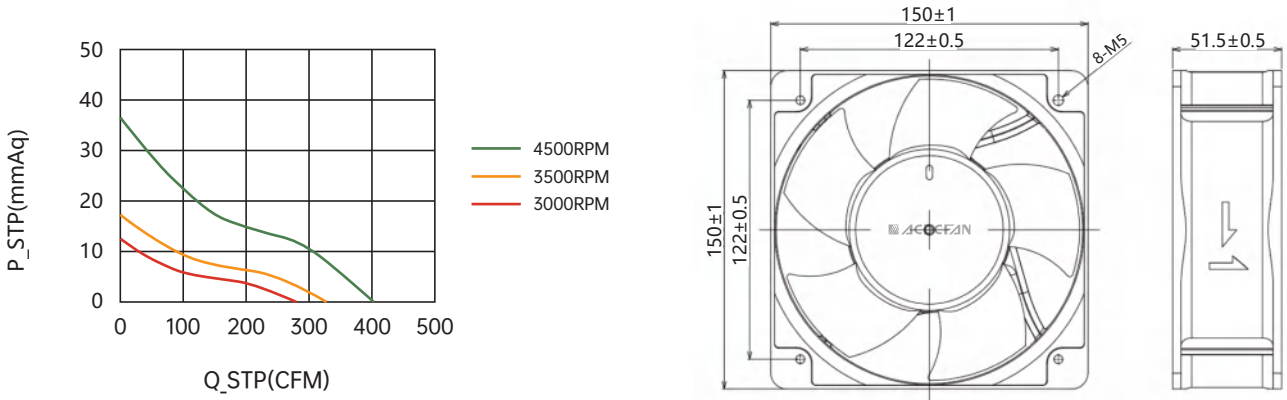
150x150x50mm (5.9"x5.9"x2")



Bearing system:	Ball bearing
Weight:	700g
Frame:	Aluminum ADC-12, Painted Black
Impeller:	Thermoplastic PBT UL 94V-0

Parameter

P&Q Curve (At Rated Voltage)
Dimensions Drawing



Available Functions

Motor protection					Signal output				Speed control mode				
RP	SS	AS	CL	OVP	FG	RD	RDB	LD	PWM	TC	VC	CC	CS
●	●	●	○	○	●	●	○	○	●	○	○	○	○

Air Performance

Model	Voltage (VDC)	Voltage Range (VDC)	Current (A)	Power (W)	Speed (RPM)	Maximum Air Flow		Maximum Air Pressure		Noise dB(A)
						m³/min	CFM	mmH₂O	INH₂O	
GD15050L12	12	6.0 to 13.5	1.2	14.4	3000	6.77	238.8	10.68	0.42	54.7
GD15050L24	24	18 to 26.5	0.5	12						
GD15050L48	48	36 to 54	0.3	14.4						
GD15050M12	12	6.0 to 13.5	1.6	19.2	3500	9.25	326.2	17.15	0.68	63.2
GD15050M24	24	18 to 26.5	0.8	19.2						
GD15050M48	48	36 to 54	0.4	19.2						
GD15050H12	12	6.0 to 13.5	3	36	4500	11.4	402.3	36.4	1.43	70
GD15050H24	24	18 to 26.5	1.3	31.2						
GD15050H48	48	36 to 54	0.8	38.4						

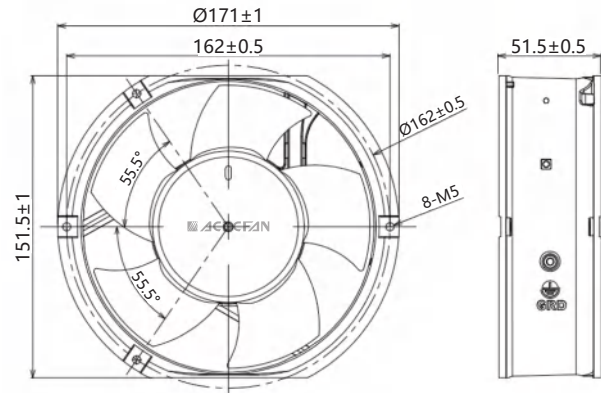
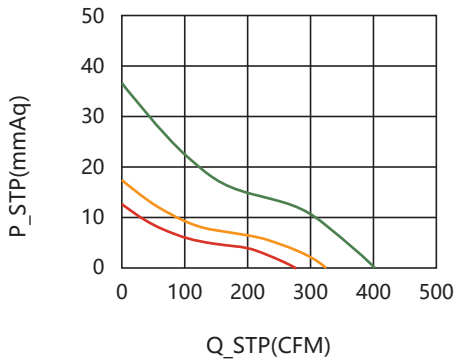
GD17250 Series

172x150x51mm (6.8"x5.9"x2")

Bearing system:	Ball bearing
Weight:	655g
Frame:	Aluminum ADC-12, Painted Black
Impeller:	Thermoplastic PBT UL 94V-0



Parameter



P&Q Curve (At Rated Voltage)
Dimensions Drawing

Motor protection				
RP	SS	AS	CL	OVP
<input checked="" type="radio"/>	<input checked="" type="radio"/>	<input checked="" type="radio"/>	<input type="radio"/>	<input type="radio"/>

Signal output			
FG	RD	RDB	LD
<input checked="" type="radio"/>	<input checked="" type="radio"/>	<input type="radio"/>	<input type="radio"/>

Speed control mode				
PWM	TC	VC	CC	CS
<input checked="" type="radio"/>	<input type="radio"/>	<input type="radio"/>	<input type="radio"/>	<input type="radio"/>

Available Functions

Model	Voltage (VDC)	Voltage Range (VDC)	Current (A)	Power (W)	Speed (RPM)	Maximum Air Flow		Maximum Air Pressure		Noise dB(A)
						m ³ /min	CFM	mmH ₂ O	INH ₂ O	
GD17250L12	12	6.0 to 13.5	1.2	14.4	3000	6.77	238.8	10.68	0.42	54.7
GD17250L24	24	18 to 26.5	0.5	12						
GD17250L48	48	36 to 54	0.3	14.4						
GD17250M12	12	6.0 to 13.5	1.6	19.2	3500	9.25	326.2	17.15	0.68	63.2
GD17250M24	24	18 to 26.5	0.8	19.2						
GD17250M48	48	36 to 54	0.4	19.2						
GD17250H12	12	6.0 to 13.5	3	36	4500	11.4	402.3	36.4	1.43	70
GD17250H24	24	18 to 26.5	1.3	31.2						
GD17250H48	48	36 to 54	0.8	38.4						

Air Performance

GD18060 Series

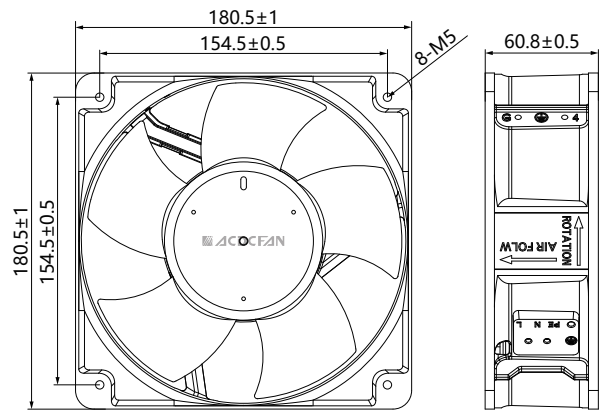
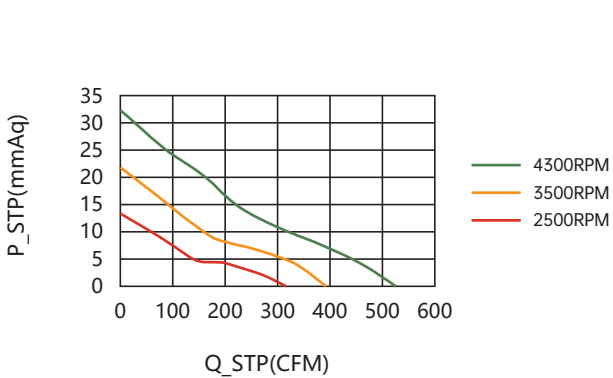
180x180x60mm (7"x7"x2.4")



Bearing system:	Ball bearing
Weight:	925g
Frame:	Aluminum ADC-12, Painted Black
Impeller:	Thermoplastic PBT UL 94V-0

Parameter

P&Q Curve (At Rated Voltage)
Dimensions Drawing



Available Functions

Motor protection				
RP	SS	AS	CL	OVP
<input checked="" type="radio"/>	<input checked="" type="radio"/>	<input checked="" type="radio"/>	<input type="radio"/>	<input type="radio"/>

Signal output			
FG	RD	RDB	LD
<input checked="" type="radio"/>	<input checked="" type="radio"/>	<input type="radio"/>	<input type="radio"/>

Speed control mode				
PWM	TC	VC	CC	CS
<input checked="" type="radio"/>	<input type="radio"/>	<input type="radio"/>	<input type="radio"/>	<input type="radio"/>

Air Performance

Model	Voltage (VDC)	Voltage Range (VDC)	Current (A)	Power (W)	Speed (RPM)	Maximum Air Flow		Maximum Air Pressure		Noise dB(A)
						m ³ /min	CFM	mmH ₂ O	INH ₂ O	
GD18060L12	12	6.0 to 13.5	2.5	30	2500	8.93	315.39	13.18	0.52	55.8
GD18060L24	24	18 to 26.5	1.5	36						
GD18060L48	48	36 to 54	0.8	38.4						
GD18060M12	12	6.0 to 13.5	4	48	3500	11.1	392.03	21.71	0.86	64.9
GD18060M24	24	18 to 26.5	2	48						
GD18060M48	48	36 to 54	1.2	57.6						
GD18060H12	12	6.0 to 13.5	6	72	4300	14.88	525.26	32.36	1.27	69.3
GD18060H24	24	18 to 26.5	4	96						
GD18060H48	48	36 to 54	2	96						

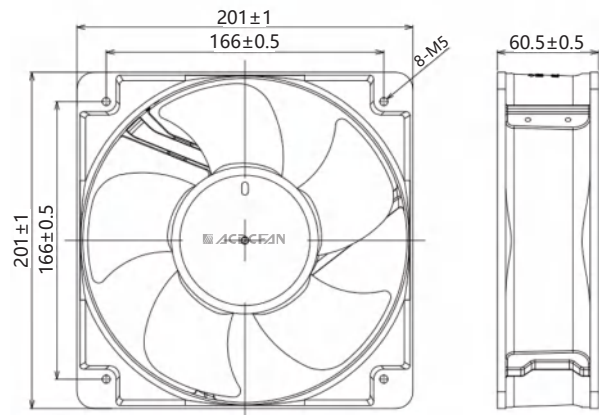
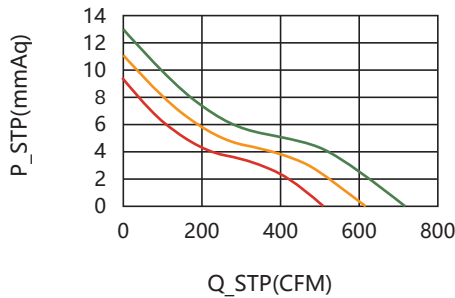
GD20060 Series

200x200x60mm (7.9"x7.9"x2.4")

Bearing system:	Ball bearing
Weight:	1038g
Frame:	Aluminum ADC-12, Painted Black
Impeller:	Thermoplastic PBT UL 94V-0



Parameter



P&Q Curve (At Rated Voltage)
Dimensions Drawing

Motor protection				
RP	SS	AS	CL	OVP
<input checked="" type="radio"/>	<input checked="" type="radio"/>	<input checked="" type="radio"/>	<input type="radio"/>	<input type="radio"/>

Signal output			
FG	RD	RDB	LD
<input checked="" type="radio"/>	<input checked="" type="radio"/>	<input type="radio"/>	<input type="radio"/>

Speed control mode				
PWM	TC	VC	CC	CS
<input checked="" type="radio"/>	<input type="radio"/>	<input type="radio"/>	<input type="radio"/>	<input type="radio"/>

Available Functions

Model	Voltage (VDC)	Voltage Range (VDC)	Current (A)	Power (W)	Speed (RPM)	Maximum Air Flow		Maximum Air Pressure		Noise dB(A)
						m ³ /min	CFM	mmH ₂ O	INH ₂ O	
GD20060L12	12	6.0 to 13.5	2	24	2500	14.57	513.66	9.24	0.36	60.2
GD20060L24	24	18 to 26.5	0.8	19.2						
GD20060L48	48	36 to 54	0.4	19.2						
GD20060M12	12	6.0 to 13.5	3	36	3000	17.49	616.4	11.08	0.44	65.8
GD20060M24	24	18 to 26.5	1.5	36						
GD20060M48	48	36 to 54	0.8	38.4						
GD20060H12	12	6.0 to 13.5	4.5	54	3500	20.4	719.14	12.93	0.51	70.5
GD20060H24	24	18 to 26.5	2.5	60						
GD20060H48	48	36 to 54	1.5	72						

Air Performance

GD22060 Series

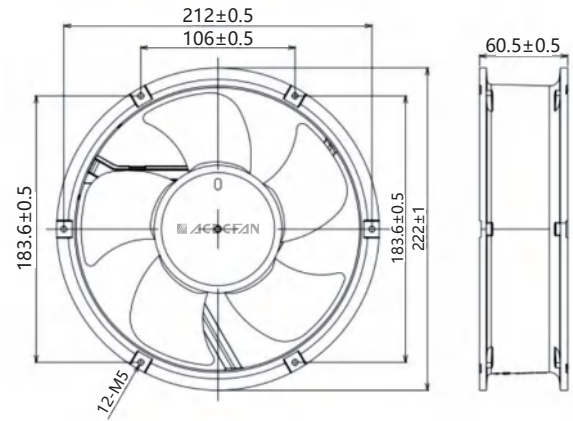
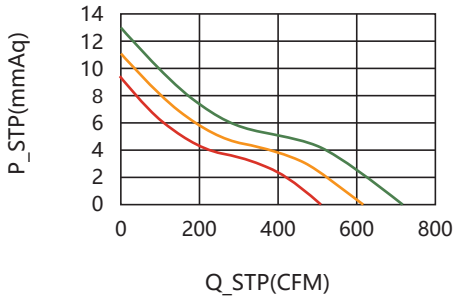
Ø220x60mm (Ø8.7"x2.4")



Bearing system:	Ball bearing
Weight:	1038g
Frame:	Aluminum ADC-12, Painted Black
Impeller:	Thermoplastic PBT UL 94V-0

Parameter

P&Q Curve (At Rated Voltage)
Dimensions Drawing



Available Functions

Motor protection					Signal output				Speed control mode				
RP	SS	AS	CL	OVP	FG	RD	RDB	LD	PWM	TC	VC	CC	CS
●	●	●	○	○	●	●	○	○	●	○	○	○	○

Air Performance

Model	Voltage (VDC)	Voltage Range (VDC)	Current (A)	Power (W)	Speed (RPM)	Maximum Air Flow		Maximum Air Pressure		Noise dB(A)
						m³/min	CFM	mmH₂O	INH₂O	
GD22060L12	12	6.0 to 13.5	2	24	2500	14.57	513.66	9.24	0.36	60.2
GD22060L24	24	18 to 26.5	0.8	19.2						
GD22060L48	48	36 to 54	0.4	19.2						
GD22060M12	12	6.0 to 13.5	3	36	3000	17.49	616.4	11.08	0.44	65.8
GD22060M24	24	18 to 26.5	1.5	36						
GD22060M48	48	36 to 54	0.8	38.4						
GD22060H12	12	6.0 to 13.5	4.5	54	3500	20.4	719.14	12.93	0.51	70.5
GD22060H24	24	18 to 26.5	2.5	60						
GD22060H48	48	36 to 54	1.5	72						

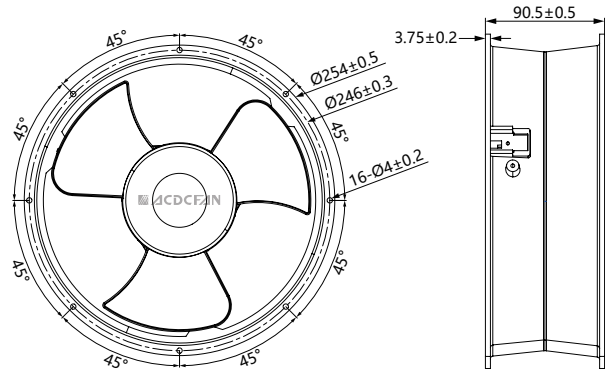
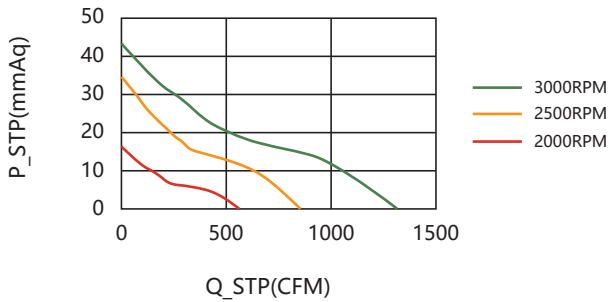
GD25489 Series

Ø254x89mm (Ø10"x3.5")

Bearing system:	Ball bearing
Weight:	2600g
Frame:	Aluminum ADC-12, Painted Black
Impeller:	Thermoplastic PBT UL 94V-0



Parameter



P&Q Curve (At Rated Voltage)
Dimensions Drawing

Motor protection				
RP	SS	AS	CL	OVP
●	●	●	○	○

Signal output			
FG	RD	RDB	LD
●	●	○	○

Speed control mode				
PWM	TC	VC	CC	CS
●	○	○	○	○

Available Functions

Model	Voltage (VDC)	Voltage Range (VDC)	Current (A)	Power (W)	Speed (RPM)	Maximum Air Flow		Maximum Air Pressure		Noise dB(A)
						m ³ /min	CFM	mmH ₂ O	INH ₂ O	
GD25489L12	12	6.0 to 13.5	3.5	42	2000	16	565	16.4	0.65	63.8
GD25489L24	24	18 to 26.5	1.5	36						
GD25489L48	48	36 to 54	0.8	38.4						
GD25489M24	24	18 to 26.5	3.7	88.8	3000	24.5	864	34.4	1.35	73.5
GD25489M48	48	36 to 54	1.9	91.2						
GD25489H24	24	18 to 26.5	7.8	187.2	4000	37.4	1321	43	1.7	90
GD25489H48	48	36 to 54	4	192						

Air Performance

GR Series - DC Blower

GR系列 - DC鼓风机



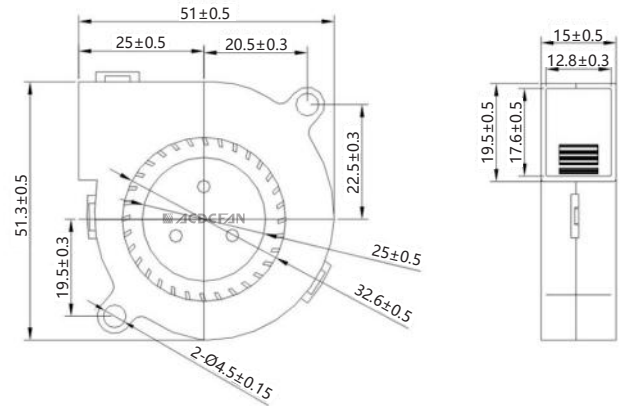
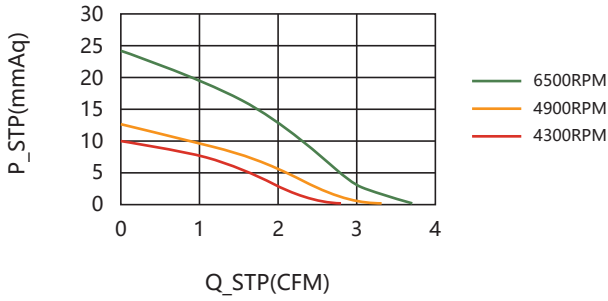
GR5015 Series

50x50x15mm (2"x2"x0.6")

Bearing system:	Ball bearing or Sleeve
Weight:	26.7g
Frame:	Thermoplastic PBT UL 94V-0
Impeller:	Thermoplastic PBT UL 94V-0



Parameter



P&Q Curve (At Rated Voltage)
Dimensions Drawing

Motor protection				
RP	SS	AS	CL	OVP
●	●	●	○	○

Signal output			
FG	RD	RDB	LD
●	●	○	○

Speed control mode				
PWM	TC	VC	CC	CS
●	○	○	○	○

Available Functions

Model	Voltage (VDC)	Voltage Range (VDC)	Current (A)	Power (W)	Speed (RPM)	Maximum Air Flow		Maximum Air Pressure		Noise dB(A)
						m ³ /min	CFM	mmH ₂ O	INH ₂ O	
GR5015L05	5	3.6 to 6.8	0.16	0.8	4300	0.081	2.87	10.2	0.42	35.1
GR5015L12	12	6.0 to 13.5	0.09	1.08						
GR5015M05	5	3.6 to 6.8	0.21	1.05	4900	0.093	3.31	12.53	0.49	37.1
GR5015M12	12	6.0 to 13.5	0.12	1.44						
GR5015M24	24	18 to 26.5	0.07	1.68						
GR5015H12	12	6.0 to 13.5	0.21	2.52	6500	0.104	3.67	23.9	0.94	44.8
GR5015H24	24	18 to 26.5	0.15	3.6						

Air Performance

GR5020 Series

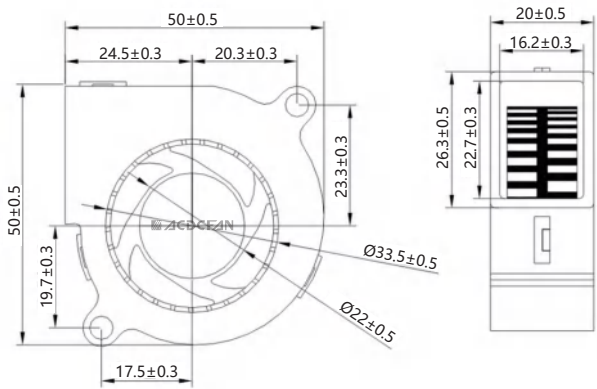
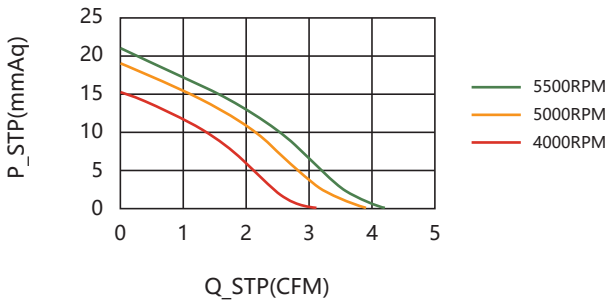
50x50x20mm (2"x2"x0.8")

Bearing system:	Ball bearing
Weight:	31.6g
Frame:	Thermoplastic PBT UL 94V-0
Impeller:	Thermoplastic PBT UL 94V-0



Parameter

P&Q Curve (At Rated Voltage)
Dimensions Drawing



Available Functions

Motor protection					Signal output				Speed control mode				
RP	SS	AS	CL	OVP	FG	RD	RDB	LD	PWM	TC	VC	CC	CS
●	●	●	○	○	●	●	○	○	●	○	○	○	○

Air Performance

Model	Voltage (VDC)	Voltage Range (VDC)	Current (A)	Power (W)	Speed (RPM)	Maximum Air Flow		Maximum Air Pressure		Noise dB(A)
						m³/min	CFM	mmH₂O	INH₂O	
GR5020L05	5	3.6 to 6.8	0.17	0.85	4000	0.081	3.09	15.222	0.599	32.1
GR5020L12	12	6.0 to 13.5	0.14	1.68						
GR5020L24	24	18 to 26.5	0.07	1.68						
GR5020M05	5	3.6 to 6.8	0.39	1.95	5000	0.109	3.87	19.028	0.749	37
GR5020M12	12	6.0 to 13.5	0.19	2.28						
GR5020M24	24	18 to 26.5	0.11	2.64						
GR5020H12	12	6.0 to 13.5	0.23	2.76	5500	0.121	4.26	20.931	0.824	39.6
GR5020H24	24	18 to 26.5	0.15	3.6						

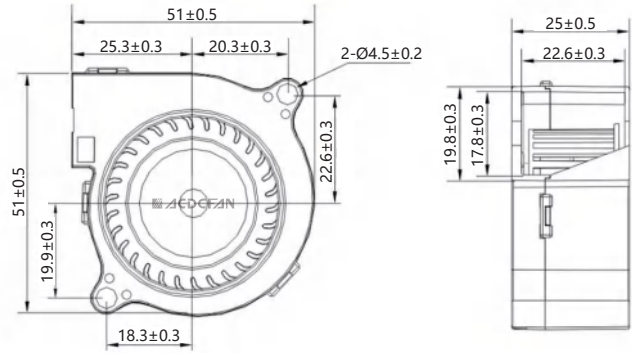
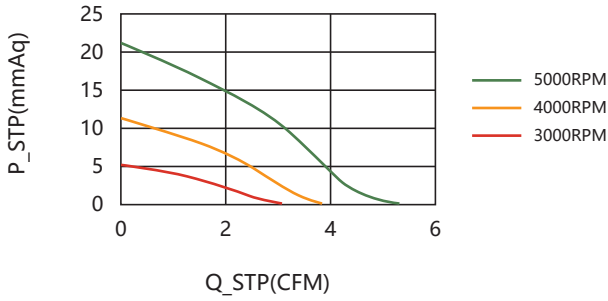
GR5025 Series

50x50x25mm (2"x2"x1")

Bearing system:	Ball bearing
Weight:	26.3g
Frame:	Thermoplastic PBT UL 94V-0
Impeller:	Thermoplastic PBT UL 94V-0



Parameter



P&Q Curve (At Rated Voltage)
Dimensions Drawing

Motor protection				
RP	SS	AS	CL	OVP
●	●	●	○	○

Signal output			
FG	RD	RDB	LD
●	●	○	○

Speed control mode				
PWM	TC	VC	CC	CS
●	○	○	○	○

Available Functions

Model	Voltage (VDC)	Voltage Range (VDC)	Current (A)	Power (W)	Speed (RPM)	Maximum Air Flow		Maximum Air Pressure		Noise dB(A)
						m ³ /min	CFM	mmH ₂ O	INH ₂ O	
GR5025L05	5	3.6 to 6.8	0.16	0.8	3000	0.087	3.09	5.222	0.206	34.5
GR5025L12	12	6.0 to 13.5	0.11	1.32						
GR5025M05	5	3.6 to 6.8	0.35	1.75	4000	0.113	3.993	11.24	0.442	40.3
GR5025M12	12	6.0 to 13.5	0.2	2.4						
GR5025M24	24	18 to 26.5	0.1	2.4						
GR5025H12	12	6.0 to 13.5	0.25	3	5000	0.151	5.305	20.801	0.819	46.2
GR5025H24	24	18 to 26.5	0.12	2.88						

Air Performance

GR7530 Series

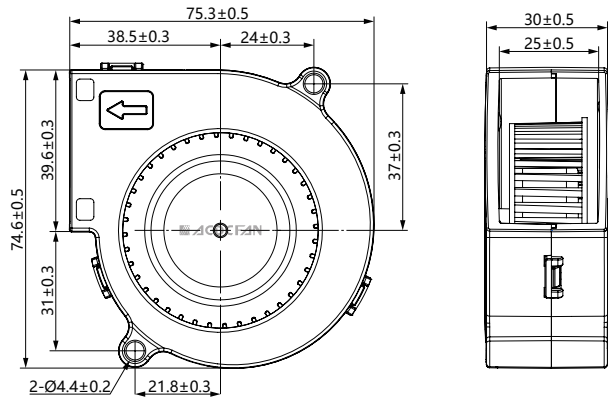
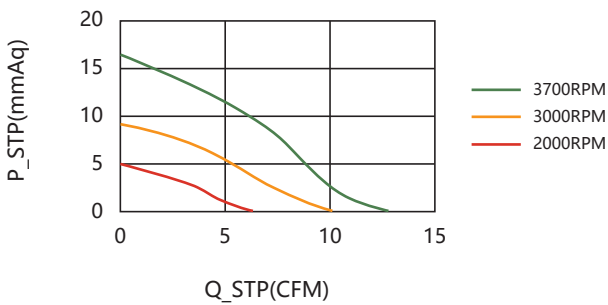
75x75x30mm (3"x3"x1.2")

Bearing system:	Ball bearing or Sleeve
Weight:	78.5g
Frame:	Thermoplastic PBT UL 94V-0
Impeller:	Thermoplastic PBT UL 94V-0



Parameter

P&Q Curve (At Rated Voltage)
Dimensions Drawing



Available Functions

Motor protection					Signal output				Speed control mode				
RP	SS	AS	CL	OVP	FG	RD	RDB	LD	PWM	TC	VC	CC	CS
●	●	●	○	○	●	●	○	○	●	○	○	○	○

Air Performance

Model	Voltage (VDC)	Voltage Range (VDC)	Current (Amp)	Power (Watt)	Speed (RPM)	Maximum Air Flow		Maximum Air Pressure		Noise dB(A)
						m ³ /min	CFM	mmH ₂ O	INH ₂ O	
GR7530L12	12	6.0 to 13.5	0.12	1.44	2000	0.18	6.31	5.04	0.2	32.2
GR7530L24	24	18 to 26.5	0.08	1.92						
GR7530M12	12	6.0 to 13.5	0.22	2.64	3000	0.29	10.35	8.96	0.35	41.9
GR7530M24	24	18 to 26.5	0.14	3.36						
GR7530M48	48	36 to 54	0.07	3.36						
GR7530H24	24	18 to 26.5	0.3	7.2	3700	0.36	12.66	16.28	0.64	46.1
GR7530H48	48	36 to 54	0.11	5.28						

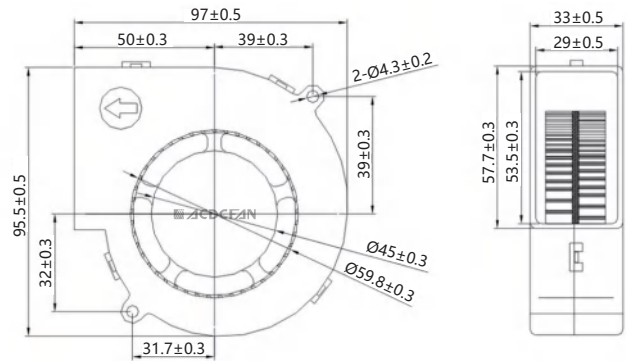
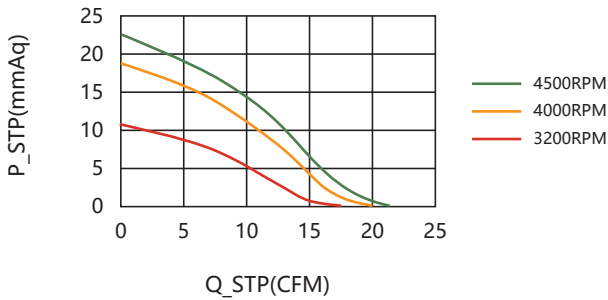
GR9733 Series

97x97x33mm (3.8"x3.8"x1.3")

Bearing system:	Ball bearing
Weight:	168.3g
Frame:	Thermoplastic PBT UL 94V-0
Impeller:	Thermoplastic PBT UL 94V-0



Parameter



P&Q Curve (At Rated Voltage)
Dimensions Drawing

Motor protection				
RP	SS	AS	CL	OVP
●	●	●	○	○

Signal output			
FG	RD	RDB	LD
●	●	○	○

Speed control mode				
PWM	TC	VC	CC	CS
●	○	○	○	○

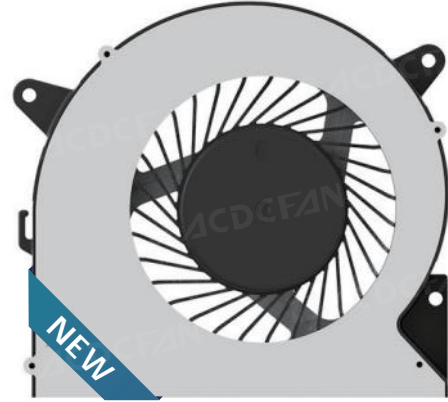
Available Functions

Model	Voltage (VDC)	Voltage Range (VDC)	Current (A)	Power (W)	Speed (RPM)	Maximum Air Flow		Maximum Air Pressure		Noise dB(A)
						m ³ /min	CFM	mmH ₂ O	INH ₂ O	
GR9733L12	12	6.0 to 13.5	0.3	3.6	3200	0.49	17.54	10.85	0.43	46.5
GR9733L24	24	18 to 26.5	0.18	4.32						
GR9733M12	12	6.0 to 13.5	0.54	6.48	4000	0.56	19.83	18.6	0.73	52.1
GR9733M24	24	18 to 26.5	0.32	7.68						
GR9733H12	12	6.0 to 13.5	0.68	8.16	4500	0.6	21.23	22.48	0.88	54
GR9733H24	24	18 to 26.5	0.4	9.6						

Air Performance

GR10015 Series

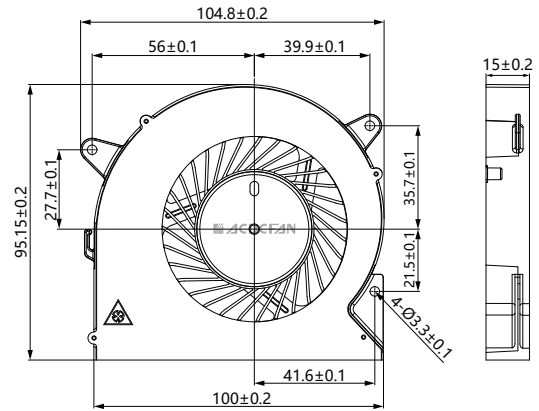
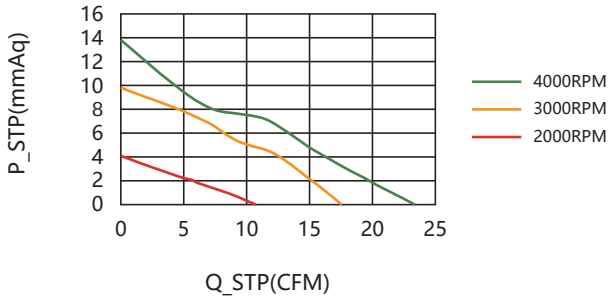
100x95x15mm (3.9"x3.7"x0.6")



Bearing system:	Sleeve
Weight:	108g
Frame:	Thermoplastic PBT UL 94V-0
Impeller:	Thermoplastic PBT UL 94V-0

Parameter

P&Q Curve (At Rated Voltage)
Dimensions Drawing



Available Functions

Motor protection				
RP	SS	AS	CL	OVP
●	●	●	○	○

Signal output			
FG	RD	RDB	LD
●	●	○	○

Speed control mode				
PWM	TC	VC	CC	CS
●	○	○	○	○

Air Performance

Model	Voltage (VDC)	Voltage Range (VDC)	Current (A)	Power (W)	Speed (RPM)	Maximum Air Flow		Maximum Air Pressure		Noise dB(A)
						m ³ /min	CFM	mmH ₂ O	INH ₂ O	
GR10015L12	12	6.0 to 13.5	0.17	2.04	2000	0.30	10.65	4.06	0.16	30.5
GR10015L24	24	18 to 26.5	0.12	2.88						
GR10015M12	12	6.0 to 13.5	0.55	6.6	3000	0.49	17.58	9.78	0.39	40.2
GR10015M24	24	18 to 26.5	0.28	6.72						
GR10015H12	12	6.0 to 13.5	0.7	8.4	4000	0.66	23.28	13.78	0.54	47.1
GR10015H24	24	18 to 26.5	0.32	7.68						

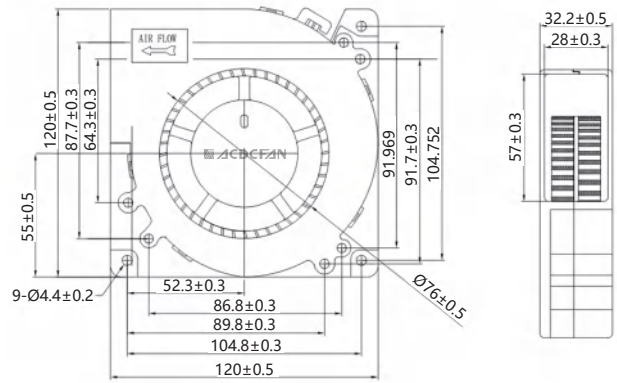
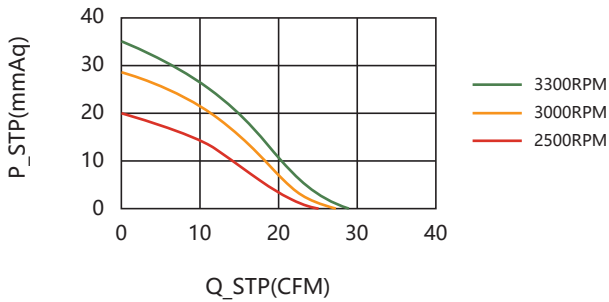
GR12032 Series

120x120x32mm (4.7"x4.7"x1.3")

Bearing system:	Ball bearing
Weight:	219.7g
Frame:	Thermoplastic PBT UL 94V-0
Impeller:	Thermoplastic PBT UL 94V-0



Parameter



P&Q Curve (At Rated Voltage)
Dimensions Drawing

Motor protection				
RP	SS	AS	CL	OVP
●	●	●	○	○

Signal output			
FG	RD	RDB	LD
●	●	○	○

Speed control mode				
PWM	TC	VC	CC	CS
●	○	○	○	○

Available Functions

Model	Voltage (VDC)	Voltage Range (VDC)	Current (A)	Power (W)	Speed (RPM)	Maximum Air Flow		Maximum Air Pressure		Noise dB(A)
						m ³ /min	CFM	mmH ₂ O	INH ₂ O	
GR12032L12	12	6.0 to 13.5	0.6	7.2	2500	0.71	25.11	20.4	0.80	50.6
GR12032L24	24	18 to 26.5	0.25	6						
GR12032M12	12	6.0 to 13.5	1	12	3000	0.773	27.32	28.7	1.13	55.5
GR12032M24	24	18 to 26.5	0.5	12						
GR12032M48	48	36 to 54	0.3	14.4						
GR12032H12	12	6.0 to 13.5	1.46	17.52	3300	0.821	29.02	35.4	1.39	59.8
GR12032H24	24	18 to 26.5	0.65	15.6						
GR12032H48	48	36 to 54	0.4	19.2						

Air Performance

GE Series - EC Axial Fan

GE系列 - EC轴流风机

Excellence in energy-saving



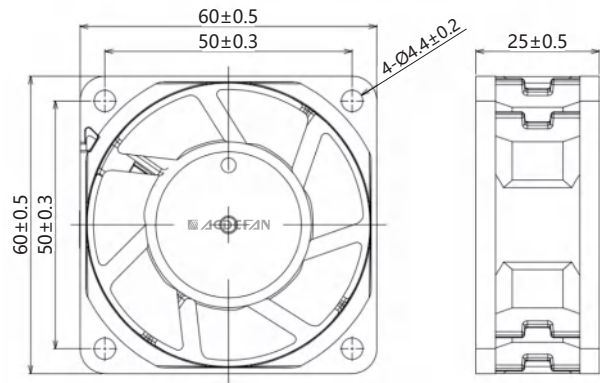
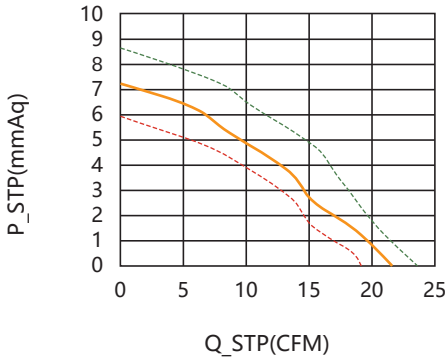
GE6025 Series

60x60x25mm (2.4"x2.4"x1")

Bearing system:	Ball bearing or Sleeve
Weight:	61.2g
Frame:	Thermoplastic PBT UL 94V-0
Impeller:	Thermoplastic PBT UL 94V-0



Parameter



P&Q Curve (At Rated Voltage)
Dimensions Drawing

Motor protection				
RP	SS	AS	CL	OVP
<input type="radio"/>	<input type="radio"/>	<input checked="" type="radio"/>	<input type="radio"/>	<input type="radio"/>

Signal output			
FG	RD	RDB	LD
<input type="radio"/>	<input type="radio"/>	<input type="radio"/>	<input type="radio"/>

Speed control mode				
PWM	TC	VC	CC	CS
<input type="radio"/>	<input type="radio"/>	<input type="radio"/>	<input type="radio"/>	<input type="radio"/>

Available Functions

Model	Voltage (VAC)	Voltage Range (VAC)	Freq. (Hz)	Power (W)	Speed (RPM)	Maximum Air Flow		Maximum Air Pressure		Noise dB(A)
						m ³ /min	CFM	mmH ₂ O	INH ₂ O	
GE6025M110	110/220	100~240	50/60	3	5500	0.612	21.62	7.236	0.285	38
GE6025M220										

Air Performance

GE8025 Series

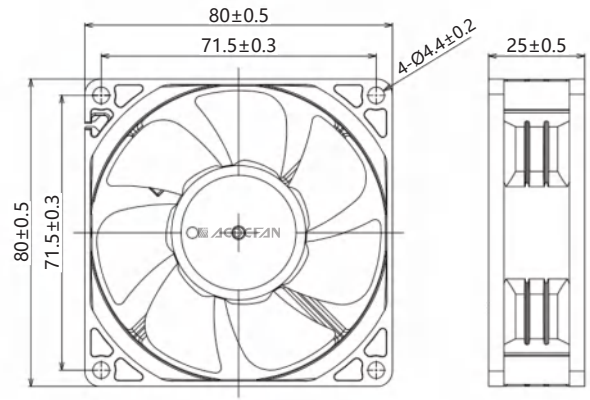
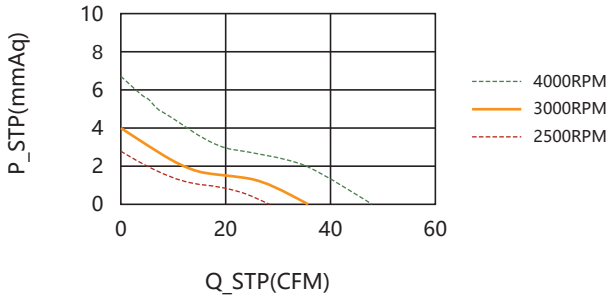
80x80x25mm (3.1"x3.1"x1")

Bearing system:	Ball bearing or Sleeve
Weight:	72g
Frame:	Thermoplastic PBT UL 94V-0
Impeller:	Thermoplastic PBT UL 94V-0



Parameter

P&Q Curve (At Rated Voltage)
Dimensions Drawing



Available Functions

Motor protection					Signal output				Speed control mode				
RP	SS	AS	CL	OVP	FG	RD	RDB	LD	PWM	TC	VC	CC	CS
<input type="radio"/>	<input type="radio"/>	<input checked="" type="radio"/>	<input type="radio"/>	<input type="radio"/>	<input type="radio"/>	<input type="radio"/>	<input type="radio"/>	<input type="radio"/>	<input type="radio"/>	<input type="radio"/>	<input type="radio"/>	<input type="radio"/>	<input type="radio"/>

Air Performance

Model	Voltage (VAC)	Voltage Range (VAC)	Freq. (Hz)	Power (W)	Speed (RPM)	Maximum Air Flow		Maximum Air Pressure		Noise (dB-A)
						m³/min	CFM	mmH₂O	INH₂O	
GE8025M110	110/220	100~240	50/60	3	3000	1.04	36.63	4	0.16	35.2
GE8025M220										

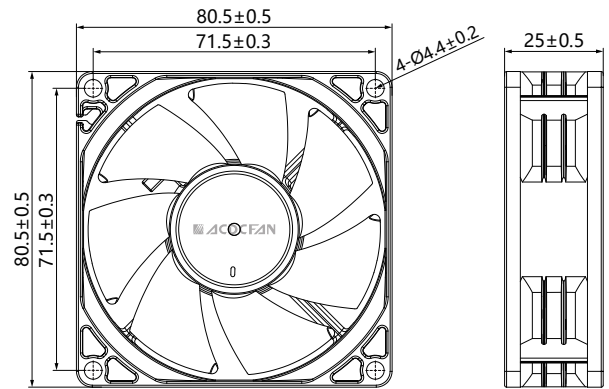
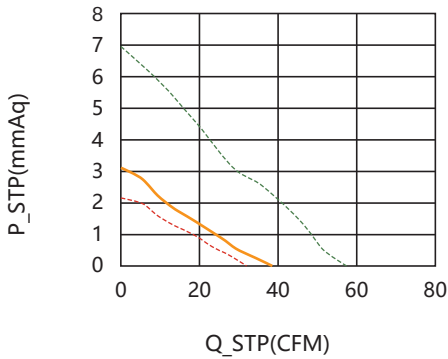
GE8025 Xflow Series

80x80x25mm (3.1"x3.1"x1")

Bearing system:	Ball bearing or Sleeve
Weight:	72g
Frame:	Thermoplastic PBT UL 94V-0
Impeller:	Thermoplastic PBT UL 94V-0



Parameter



P&Q Curve (At Rated Voltage)
Dimensions Drawing

Motor protection				
RP	SS	AS	CL	OVP
<input type="radio"/>	<input type="radio"/>	<input checked="" type="radio"/>	<input type="radio"/>	<input type="radio"/>

Signal output			
FG	RD	RDB	LD
<input checked="" type="radio"/>	<input checked="" type="radio"/>	<input type="radio"/>	<input type="radio"/>

Speed control mode				
PWM	TC	VC	CC	CS
<input checked="" type="radio"/>	<input type="radio"/>	<input type="radio"/>	<input type="radio"/>	<input type="radio"/>

Available Functions

Model	Voltage (VAC)	Voltage Range (VAC)	Freq. (Hz)	Power (W)	Speed (RPM)	Maximum Air Flow		Maximum Air Pressure		Noise dB(A)
						m ³ /min	CFM	mmH ₂ O	INH ₂ O	
GE8025M110	110/220	100~240	50/60	4.8	3000	1.08	38.23	3.1	0.12	35.7
GE8025M220										

Air Performance

GE8038 XPressure Series

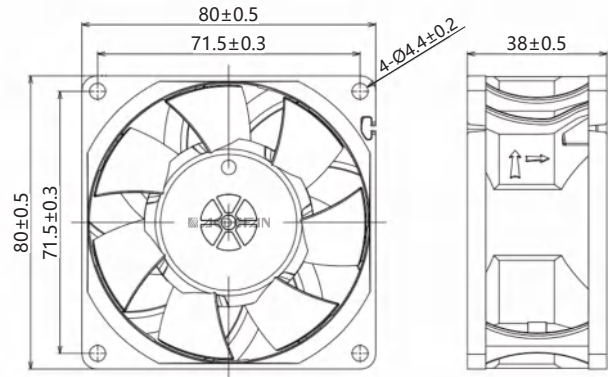
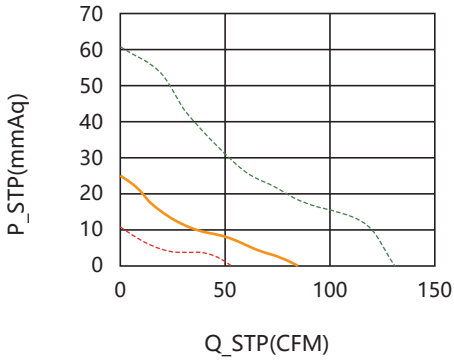
80x80x38mm (3.1"x3.1"x1.5")

Bearing system:	Ball bearing
Weight:	177.6g
Frame:	Thermoplastic PBT UL 94V-0
Impeller:	Thermoplastic PBT UL 94V-0



Parameter

P&Q Curve (At Rated Voltage)
Dimensions Drawing



Available Functions

Motor protection				
RP	SS	AS	CL	OVP
<input type="radio"/>	<input type="radio"/>	<input checked="" type="radio"/>	<input type="radio"/>	<input type="radio"/>

Signal output			
FG	RD	RDB	LD
<input checked="" type="radio"/>	<input checked="" type="radio"/>	<input type="radio"/>	<input type="radio"/>

Speed control mode				
PWM	TC	VC	CC	CS
<input checked="" type="radio"/>	<input type="radio"/>	<input type="radio"/>	<input type="radio"/>	<input type="radio"/>

Air Performance

Model	Voltage (VAC)	Voltage Range (VAC)	Freq. (Hz)	Power (W)	Speed (RPM)	Maximum Air Flow		Maximum Air Pressure		Noise dB(A)
						m ³ /min	CFM	mmH ₂ O	INH ₂ O	
GE8038M110	110/220	100~240	50/60	10	6000	2.39	84.32	24.95	0.98	57.3
GE8038M220										

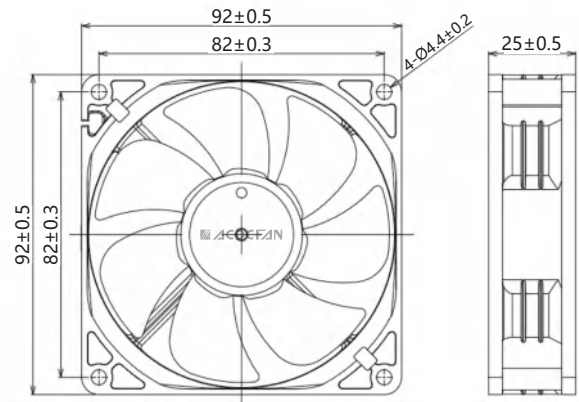
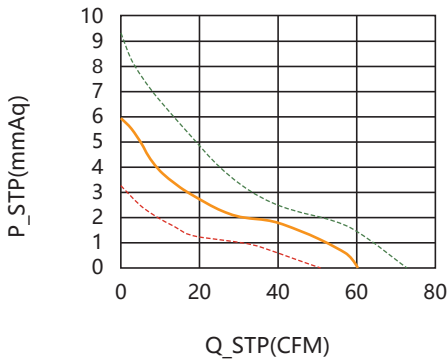
GE9225 Series

92x92x25mm (3.6"x3.6"x1")

Bearing system:	Ball bearing or Sleeve
Weight:	102g
Frame:	Thermoplastic PBT UL 94V-0
Impeller:	Thermoplastic PBT UL 94V-0



Parameter



P&Q Curve (At Rated Voltage)
Dimensions Drawing

Motor protection				
RP	SS	AS	CL	OVP
<input type="radio"/>	<input type="radio"/>	<input checked="" type="radio"/>	<input type="radio"/>	<input type="radio"/>

Signal output			
FG	RD	RDB	LD
<input type="radio"/>	<input type="radio"/>	<input type="radio"/>	<input type="radio"/>

Speed control mode				
PWM	TC	VC	CC	CS
<input type="radio"/>	<input type="radio"/>	<input type="radio"/>	<input type="radio"/>	<input type="radio"/>

Available Functions

Model	Voltage (VAC)	Voltage Range (VAC)	Freq. (Hz)	Power (W)	Speed (RPM)	Maximum Air Flow		Maximum Air Pressure		Noise dB(A)
						m ³ /min	CFM	mmH ₂ O	INH ₂ O	
GE9225M110	110/220	100~240	50/60	3.5	3500	1.71	60.25	5.94	0.23	40.9
GE9225M220										

Air Performance

GE9238 XPressure Series

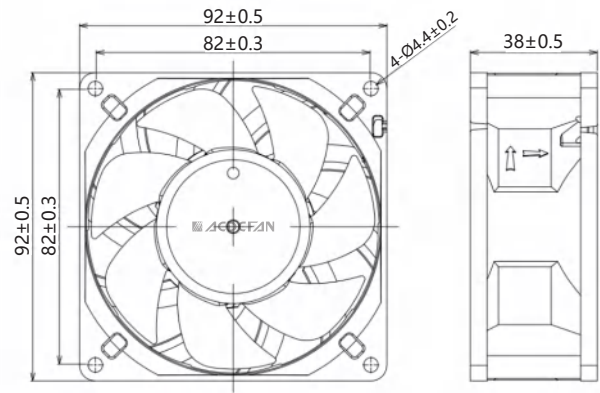
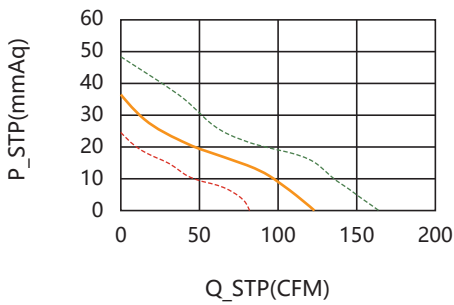
92x92x38mm (3.6"x3.6"x1.5")



Bearing system:	Ball bearing
Weight:	202g
Frame:	Thermoplastic PBT UL 94V-0
Impeller:	Thermoplastic PBT UL 94V-0

Parameter

P&Q Curve (At Rated Voltage)
Dimensions Drawing



Available Functions

Motor protection				
RP	SS	AS	CL	OVP
<input type="radio"/>	<input type="radio"/>	<input checked="" type="radio"/>	<input type="radio"/>	<input type="radio"/>

Signal output			
FG	RD	RDB	LD
<input checked="" type="radio"/>	<input checked="" type="radio"/>	<input type="radio"/>	<input type="radio"/>

Speed control mode				
PWM	TC	VC	CC	CS
<input checked="" type="radio"/>	<input type="radio"/>	<input type="radio"/>	<input type="radio"/>	<input type="radio"/>

Air Performance

Model	Voltage (VAC)	Voltage Range (VAC)	Freq. (Hz)	Power (Watt)	Speed (RPM)	Maximum Air Flow		Maximum Air Pressure		Noise dB(A)
						m³/min	CFM	mmH₂O	INH₂O	
GE9238M110	110/220	100~240	50/60	10	6000	3.49	123.05	36.4	1.43	55.6
GE9238M220										

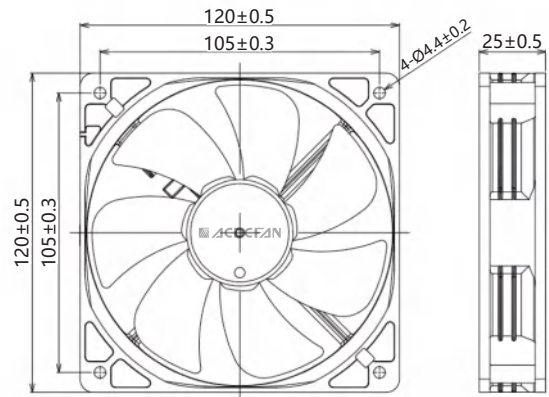
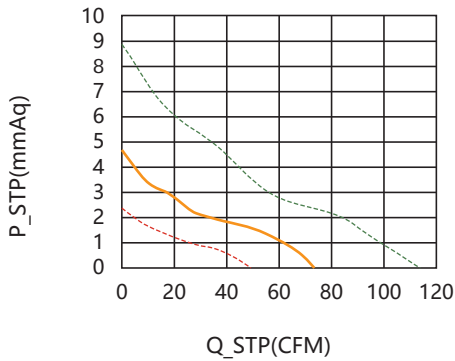
GE12025 Series

120x120x25mm (4.7"x4.7"x1")

Bearing system:	Ball bearing or Sleeve
Weight:	121.3g
Frame:	Thermoplastic PBT UL 94V-0
Impeller:	Thermoplastic PBT UL 94V-0



Parameter



P&Q Curve (At Rated Voltage)
Dimensions Drawing

Motor protection				
RP	SS	AS	CL	OVP
<input type="radio"/>	<input type="radio"/>	<input checked="" type="radio"/>	<input type="radio"/>	<input type="radio"/>

Signal output			
FG	RD	RDB	LD
<input checked="" type="radio"/>	<input checked="" type="radio"/>	<input type="radio"/>	<input type="radio"/>

Speed control mode				
PWM	TC	VC	CC	CS
<input checked="" type="radio"/>	<input type="radio"/>	<input type="radio"/>	<input type="radio"/>	<input type="radio"/>

Available Functions

Model	Voltage (VAC)	Voltage Range (VAC)	Freq. (Hz)	Power (W)	Speed (RPM)	Maximum Air Flow		Maximum Air Pressure		Noise dB(A)
						m ³ /min	CFM	mmH ₂ O	INH ₂ O	
GE12025M110	110/220	100~240	50/60	8	2500	2.08	73.45	4.65	0.18	36.8
GE12025M220										

Air Performance

GE12038 Series

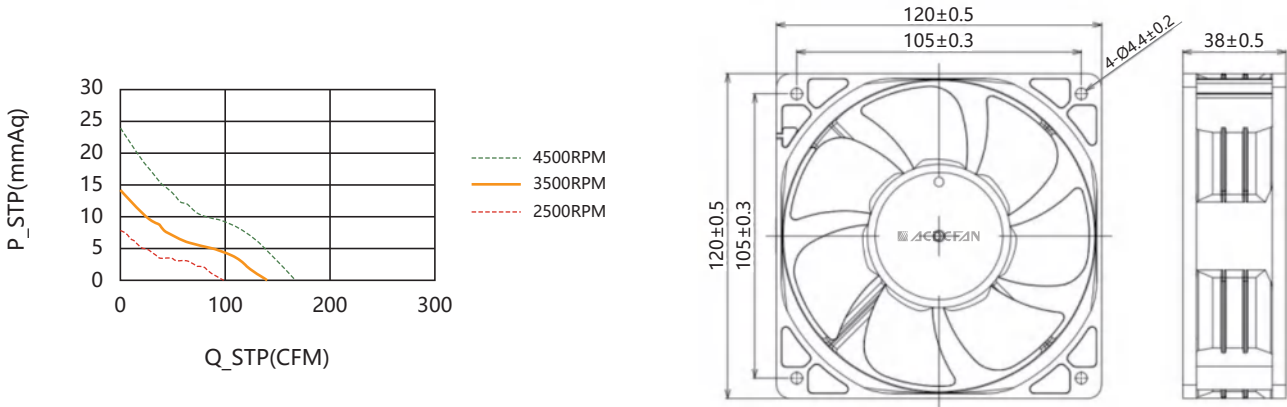
120x120x38mm (4.7"x4.7"x1.5")



Bearing system:	Ball bearing or Sleeve
Weight:	301.5g
Frame:	Thermoplastic PBT UL 94V-0
Impeller:	Thermoplastic PBT UL 94V-0

Parameter

P&Q Curve (At Rated Voltage)
Dimensions Drawing



Available Functions

Motor protection					Signal output				Speed control mode				
RP	SS	AS	CL	OVP	FG	RD	RDB	LD	PWM	TC	VC	CC	CS
<input type="radio"/>	<input type="radio"/>	<input checked="" type="radio"/>	<input type="radio"/>	<input type="radio"/>	<input checked="" type="radio"/>	<input checked="" type="radio"/>	<input type="radio"/>	<input type="radio"/>	<input checked="" type="radio"/>	<input type="radio"/>	<input type="radio"/>	<input type="radio"/>	<input type="radio"/>

Air Performance

Model	Voltage (VAC)	Voltage Range (VAC)	Freq. (Hz)	Power (W)	Speed (RPM)	Maximum Air Flow		Maximum Air Pressure		Noise dB(A)
						m³/min	CFM	mmH₂O	INH₂O	
GE12038M110	110/220	100~240	50/60	10	3500	3.95	139.4	13.69	0.54	50.6
GE12038M220										

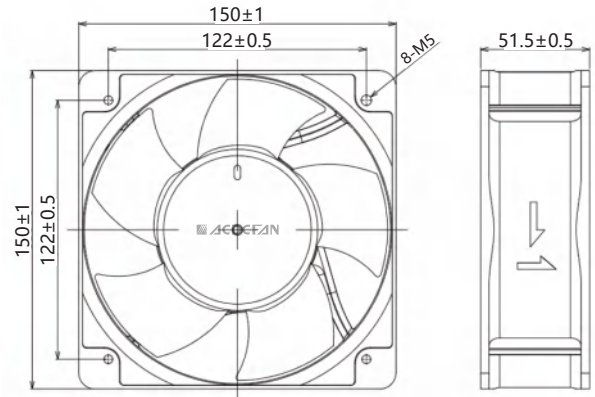
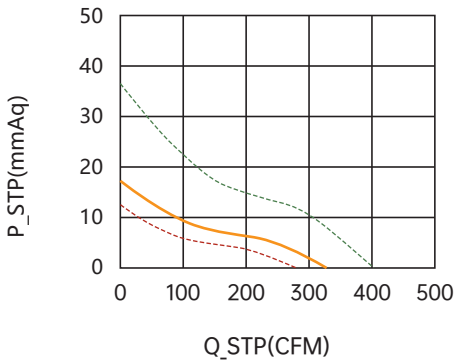
GE15050 Series

150x150x50mm (5.9"x5.9"x2")

Bearing system:	Ball bearing
Weight:	700g
Frame:	Aluminum ADC-12, Painted Black
Impeller:	Thermoplastic PBT UL 94V-0



Parameter



P&Q Curve (At Rated Voltage)
Dimensions Drawing

Motor protection				
RP	SS	AS	CL	OVP
<input type="radio"/>	<input type="radio"/>	<input checked="" type="radio"/>	<input type="radio"/>	<input type="radio"/>

Signal output			
FG	RD	RDB	LD
<input checked="" type="radio"/>	<input checked="" type="radio"/>	<input type="radio"/>	<input type="radio"/>

Speed control mode				
PWM	TC	VC	CC	CS
<input checked="" type="radio"/>	<input type="radio"/>	<input type="radio"/>	<input type="radio"/>	<input type="radio"/>

Available Functions

Model	Voltage (VAC)	Voltage Range (VAC)	Freq. (Hz)	Power (W)	Speed (RPM)	Maximum Air Flow		Maximum Air Pressure		Noise dB(A)
						m ³ /min	CFM	mmH ₂ O	INH ₂ O	
GE15050M110	110	100/125	50/60	25	3500	9.25	326.2	17.15	0.68	63.2
GE15050M220	220	200/240	50/60	25						

Air Performance

GE17250 Series

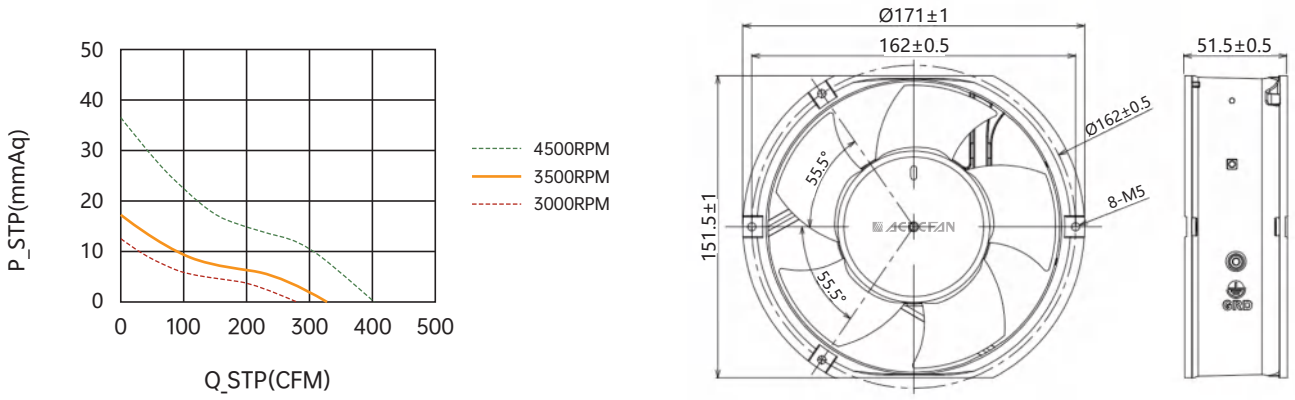
172x150x51mm (6.8"x5.9"x2")

Bearing system:	Ball bearing
Weight:	655g
Frame:	Aluminum ADC-12, Painted Black
Impeller:	Thermoplastic PBT UL 94V-0



Parameter

P&Q Curve (At Rated Voltage)
Dimensions Drawing



Available Functions

Motor protection					Signal output				Speed control mode				
RP	SS	AS	CL	OVP	FG	RD	RDB	LD	PWM	TC	VC	CC	CS
<input type="radio"/>	<input type="radio"/>	<input checked="" type="radio"/>	<input type="radio"/>	<input type="radio"/>	<input checked="" type="radio"/>	<input checked="" type="radio"/>	<input type="radio"/>	<input type="radio"/>	<input checked="" type="radio"/>	<input type="radio"/>	<input type="radio"/>	<input type="radio"/>	<input type="radio"/>

Air Performance

Model	Voltage (VAC)	Voltage Range (VAC)	Freq. (Hz)	Power (W)	Speed (RPM)	Maximum Air Flow		Maximum Air Pressure		Noise dB(A)
						m³/min	CFM	mmH ₂ O	INH ₂ O	
GE17250M110	110	100/125	50/60	25	3500	9.25	326.2	17.15	0.68	63.2
GE17250M220	220	200/240	50/60	25						

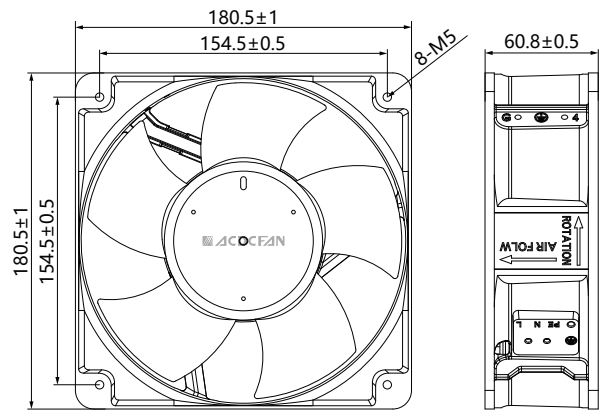
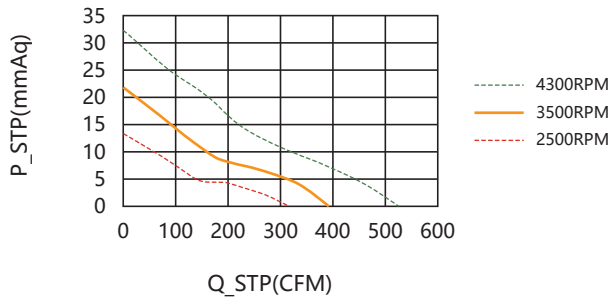
GE18060 Series

180x180x60mm (7"x7"x2.4")

Bearing system:	Ball bearing
Weight:	925g
Frame:	Aluminum ADC-12, Painted Black
Impeller:	Thermoplastic PBT UL 94V-0



Parameter



P&Q Curve (At Rated Voltage)
Dimensions Drawing

Motor protection				
RP	SS	AS	CL	OVP
<input type="radio"/>	<input type="radio"/>	<input checked="" type="radio"/>	<input type="radio"/>	<input type="radio"/>

Signal output			
FG	RD	RDB	LD
<input checked="" type="radio"/>	<input checked="" type="radio"/>	<input type="radio"/>	<input type="radio"/>

Speed control mode				
PWM	TC	VC	CC	CS
<input checked="" type="radio"/>	<input type="radio"/>	<input type="radio"/>	<input type="radio"/>	<input type="radio"/>

Available Functions

Model	Voltage (VAC)	Voltage Range (VAC)	Freq. (Hz)	Power (W)	Speed (RPM)	Maximum Air Flow		Maximum Air Pressure		Noise dB(A)
						m ³ /min	CFM	mmH ₂ O	INH ₂ O	
GE18060M110	110	100/125	50/60	40	3500	11.1	392.03	21.71	0.86	64.9
GE18060M220	220	200/240	50/60	40						

Air Performance

GE20060 Series

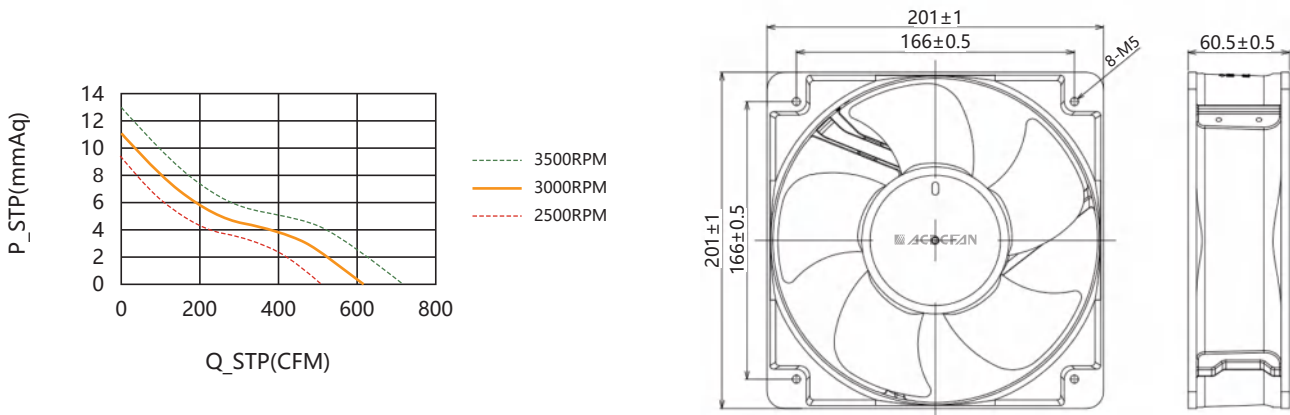
200x200x60mm (7.9"x7.9"x2.4")

Bearing system:	Ball bearing
Weight:	1038g
Frame:	Aluminum ADC-12, Painted Black
Impeller:	Thermoplastic PBT UL 94V-0



Parameter

P&Q Curve (At Rated Voltage)
Dimensions Drawing



Available Functions

Motor protection					Signal output				Speed control mode				
RP	SS	AS	CL	OVP	FG	RD	RDB	LD	PWM	TC	VC	CC	CS
<input type="radio"/>	<input type="radio"/>	<input checked="" type="radio"/>	<input type="radio"/>	<input type="radio"/>	<input checked="" type="radio"/>	<input checked="" type="radio"/>	<input type="radio"/>	<input type="radio"/>	<input checked="" type="radio"/>	<input type="radio"/>	<input type="radio"/>	<input type="radio"/>	<input type="radio"/>

Air Performance

Model	Voltage (VAC)	Voltage Range (VAC)	Freq. (Hz)	Power (W)	Speed (RPM)	Maximum Air Flow		Maximum Air Pressure		Noise dB(A)
						m³/min	CFM	mmH₂O	INH₂O	
GE20060M110	110	100/125	50/60	28	3000	17.49	616.4	11.08	0.44	65.8
GE20060M220	220	200/240	50/60	28						

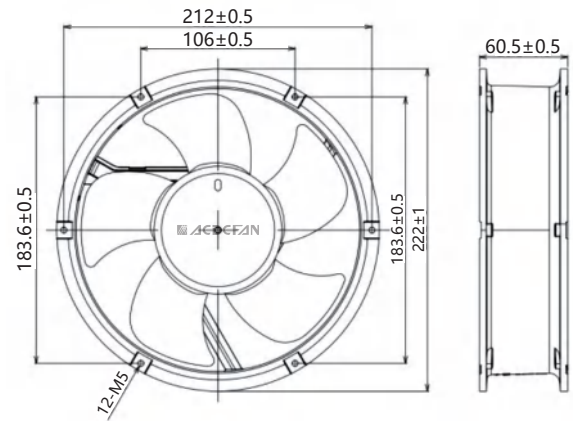
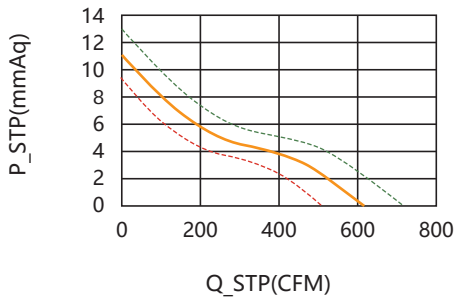
GE22060 Series

Ø220x60mm (Ø8.7"x2.4")

Bearing system:	Ball bearing
Weight:	1038g
Frame:	Aluminum ADC-12, Painted Black
Impeller:	Thermoplastic PBT UL 94V-0



Parameter



P&Q Curve (At Rated Voltage)
Dimensions Drawing

Motor protection				
RP	SS	AS	CL	OVP
<input type="radio"/>	<input type="radio"/>	<input checked="" type="radio"/>	<input type="radio"/>	<input type="radio"/>

Signal output			
FG	RD	RDB	LD
<input checked="" type="radio"/>	<input checked="" type="radio"/>	<input type="radio"/>	<input type="radio"/>

Speed control mode				
PWM	TC	VC	CC	CS
<input checked="" type="radio"/>	<input type="radio"/>	<input type="radio"/>	<input type="radio"/>	<input type="radio"/>

Available Functions

Model	Voltage (VAC)	Voltage Range (VAC)	Freq. (Hz)	Power (W)	Speed (RPM)	Maximum Air Flow		Maximum Air Pressure		Noise dB(A)
						m³/min	CFM	mmH ₂ O	INH ₂ O	
GE22060M110	110	100/125	50/60	28	3000	17.49	616.4	11.08	0.44	65.8
GE22060M220	220	200/240	50/60	28						

Air Performance



Guangzhou Guanxie Fan Manufacturing Co.,Ltd.

Add: Buiding 4, No.7 Lanhua Street, Dagang Industrial Zone,
Baiyunhu Street, Baiyun District, Guangzhou, China.

Tel: +86 020-36678158

Fax: +86 020-83377440

E-mail: info@acdcfan.com.cn

Web: www.acdcfan.com.cn

广州冠协风机制造有限公司

地址：广东省广州市白云区白云湖街大冈工业区兰花街七号 4 栋

电话：+86 020-36678158

传真：+86 020-83377440

邮箱： info@acdcfan.com.cn

官网： www.acdcfan.com.cn