

GN110A

110x110x25mm (4.3"x4.3"x1")

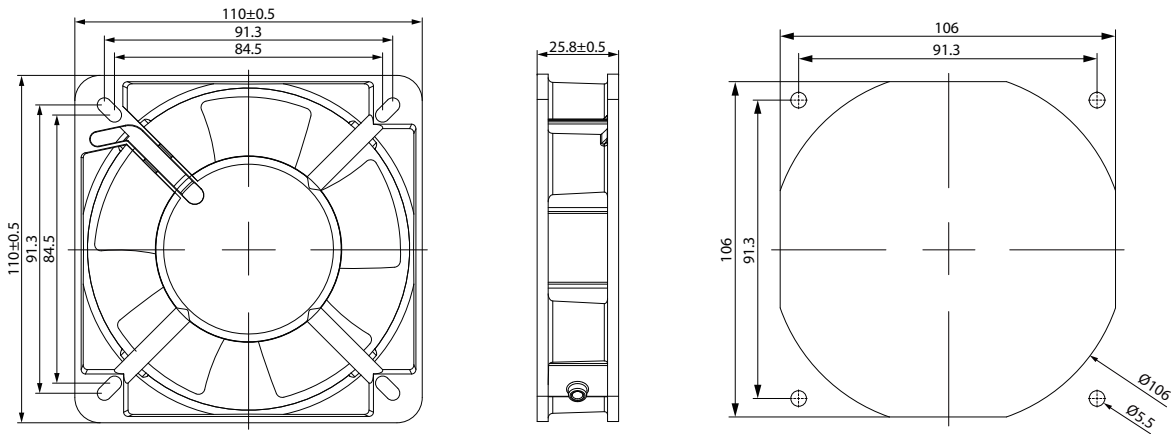


Fan Frame:	Die-cast Aluminum(Black or Silver coating)
Fan Impeller:	Plastic
Operation Temp.:	-30~60°C
Operation Voltage Range:	110V(±10%); 220V(±10%)
Dielectric Strength:	5mA Max.at 1500V for 1 min
Safety:	Impedance Protected
Termination:	Lead Wire; Pin
Weight:	310g
Protection Class:	IP44
Insulation:	Class A

Specifications

Model	Bearing	Blades	Voltage	Freq.	Current	Power	Speed	Noise	Max. Air Flow	Pressure	
No.			VAC	Hz	A	W	RPM	dB(A)	m³/h	CFM	mmH ₂ O
GN110A1	Ball	5	100/125	50/60	0.12/0.11	12/11	2000/2200	36/38	69.7/76.5	41/45	2.99/2.4
GN110A2	Ball	5	200/240	50/60	0.07/0.06	12/11	2000/2200	36/38	69.7/76.5	41/45	2.99/2.4
GN110A3	Ball	5	360/400	50/60	0.05/0.04	12/11	2000/2200	36/38	69.7/76.5	41/45	2.99/2.4

Engineering Drawing (mm)



Air Performance

