

GN135B

135x135x38mm (5.3"x5.3"x1.5")

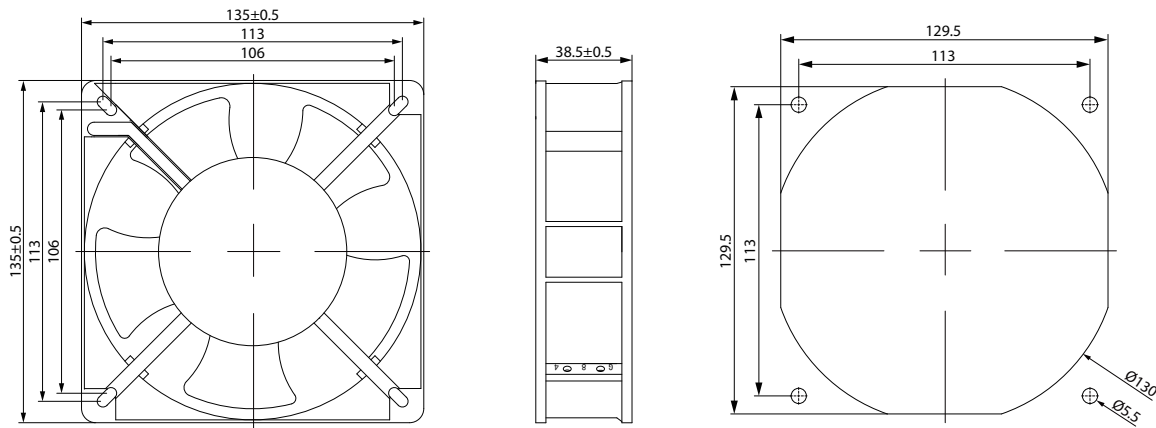


Fan Frame: Die-cast Aluminum(Black or Silver coating)
 Fan Impeller: Plastic
 Operation Temp.: -30~60°C
 Operation Voltage Range: 110V(±10%); 220V(±10%)
 Dielectric Strength: 5mA Max.at 1500V for 1 min
 Safety: Impedance Protected
 Termination: Lead Wire; Pin
 Weight: 550g
 Protection Class: IP44
 Insulation: Class A

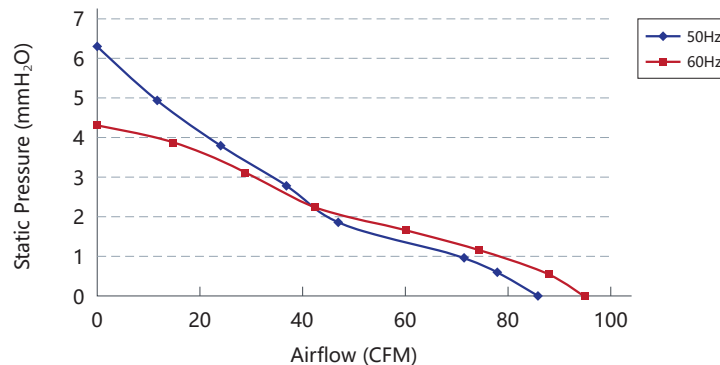
Specifications

Model	Bearing	Blades	Voltage	Freq.	Current	Power	Speed	Noise	Max. Air Flow	Pressure	
No.			VAC	Hz	A	W	RPM	dB(A)	m³/h	CFM	mmH ₂ O
GN135B1	Ball	5	100/125	50/60	0.24/0.22	20/18	2600/2800	45/47	146.2/161.5	86/95	6.3/4.3
GN135B2	Ball	5	200/240	50/60	0.12/0.11	20/18	2600/2800	45/47	146.2/161.5	86/95	6.3/4.3
GN135B3	Ball	5	360/400	50/60	0.09/0.08	20/18	2600/2800	45/47	146.2/161.5	86/95	6.3/4.3

Engineering Drawing (mm)



Air Performance



AC Axial Fan - GW Series
AC Axial Fan - GN Series
AC Radial Fan - GRA Series