

# GN80A

80x80x25mm (3.1"x3.1"x1")

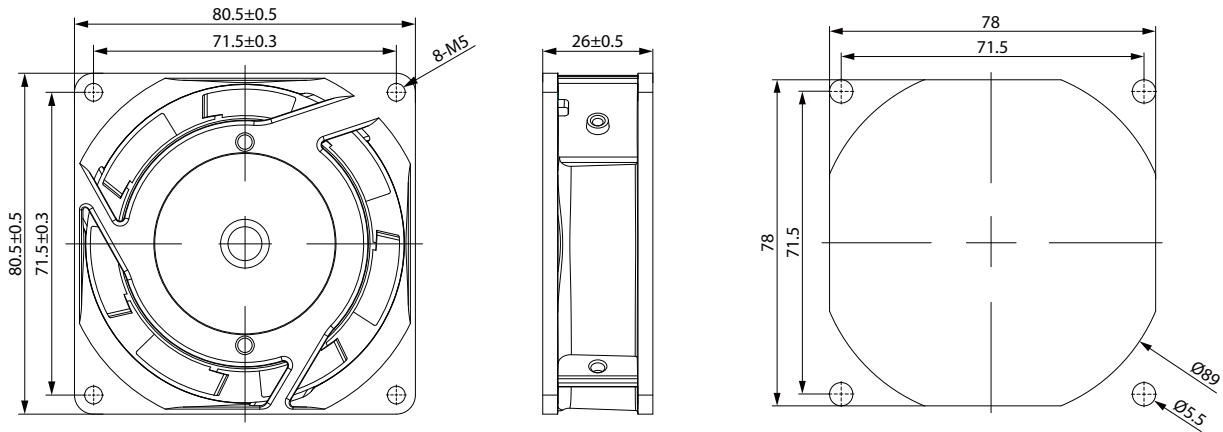


Fan Frame:	Die-cast Aluminum(Black or Silver coating)
Fan Impeller:	Plastic
Operation Temp.:	-30~60°C
Operation Voltage Range:	110V(±10%); 220V(±10%)
Dielectric Strength:	5mA Max.at 1500V for 1 min
Safety:	Impedance Protected
Termination:	Lead Wire; Pin
Weight:	260g
Protection Class:	IP44
Insulation:	Class A

## Specifications

Model	Bearing	Blades	Voltage	Freq.	Current	Power	Speed	Noise	Max. Air Flow	Pressure	
No.			VAC	Hz	A	W	RPM	dB(A)	m³/h	CFM	mmH <sub>2</sub> O
GN80A1	Ball	7	100/125	50/60	0.12/0.11	12/11	2500/2800	26/28	28/30.9	16.5/18.2	3.02/2.8
GN80A2	Ball	7	200/240	50/60	0.07/0.06	12/11	2500/2800	26/28	28/30.9	16.5/18.2	3.02/2.8
GN80A3	Ball	7	360/400	50/60	0.05/0.04	12/11	2500/2800	26/28	28/30.9	16.5/18.2	3.02/2.8

## Engineering Drawing (mm)



## Air Performance

