

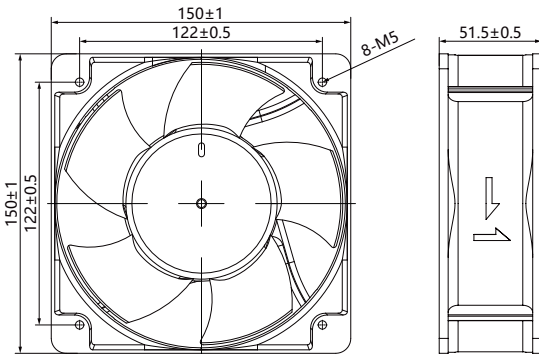
GD15050 Series

150x150x50mm (5.9"x5.9"x2")

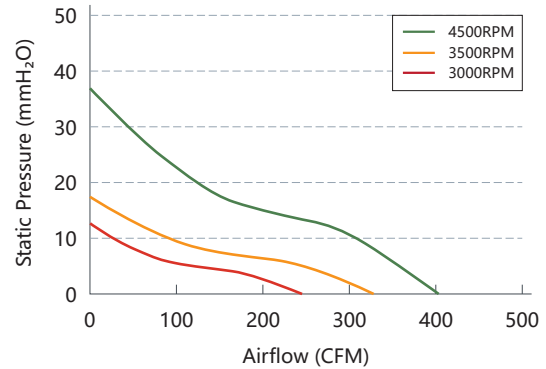


Fan Frame: Aluminum ADC-12, Painted Black
 Fan Impeller: Thermoplastic PBT UL 94V-0
 Bearing system: Ball bearing
 Operation Temp: -30~70°C
 Service Life: 70000hours @40°C
 Weight: 700g

Engineering Drawing (mm)



Air Performance



Available Functions

Motor protection

RP	SS	AS	CL	OVP
●	●	●	○	○

Signal output

FG	RD	RDB	LD
●	●	○	○

Speed control mode

PWM	TC	VC	CC	CS
●	○	○	○	○

Specifications

Model	Voltage	Voltage Range	Current	Power	Speed	Maximum Air Flow	Maximum Air Pressure	Noise		
No.	VDC	VDC	A	W	RPM	m ³ /min	CFM	mmH ₂ O	INH ₂ O	dB(A)
GD15050L12	12	6.0 to 13.5	1.2	14.4						
GD15050L24	24	18 to 26.5	0.5	12	3000	6.77	238.8	10.68	0.42	54.7
GD15050L48	48	36 to 54	0.3	14.4						
GD15050M12	12	6.0 to 13.5	1.6	19.2						
GD15050M24	24	18 to 26.5	0.8	19.2	3500	9.25	326.2	17.15	0.68	63.2
GD15050M48	48	36 to 54	0.4	19.2						
GD15050H12	12	6.0 to 13.5	3	36						
GD15050H24	24	18 to 26.5	1.3	31.2	4500	11.4	402.3	36.4	1.43	70
GD15050H48	48	36 to 54	0.8	38.4						