

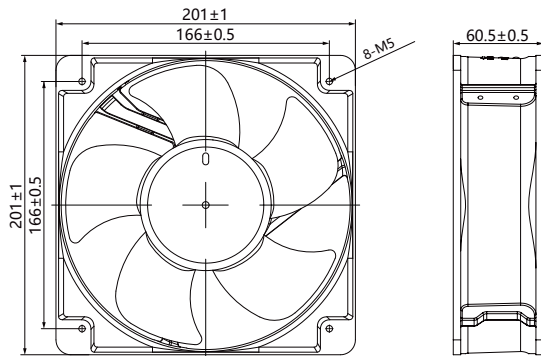
# GD20060 Series

200x200x60mm (7.9"x7.9"x2.4")

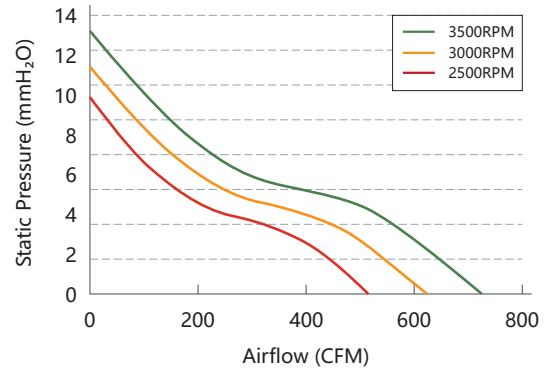


Fan Frame: Aluminum ADC-12, Painted Black  
 Fan Impeller: Thermoplastic PBT UL 94V-0  
 Bearing system: Ball bearing  
 Operation Temp: -30~70°C  
 Service Life: 70000hours @40°C  
 Weight: 1038g

## Engineering Drawing (mm)



## Air Performance



## Available Functions

### Motor protection

RP	SS	AS	CL	OVP
●	●	●	○	○

### Signal output

FG	RD	RDB	LD
●	●	○	○

### Speed control mode

PWM	TC	VC	CC	CS
●	○	○	○	○

## Specifications

Model	Voltage	Voltage Range	Current	Power	Speed	Maximum Air Flow	Maximum Air Pressure	Noise		
No.	VDC	VDC	A	W	RPM	m <sup>3</sup> /min	CFM	mmH <sub>2</sub> O	INH <sub>2</sub> O	dB(A)
GD20060L12	12	6.0 to 13.5	2	24						
GD20060L24	24	18 to 26.5	0.8	19.2	2500	14.57	513.66	9.24	0.36	60.2
GD20060L48	48	36 to 54	0.4	19.2						
GD20060M12	12	6.0 to 13.5	3	36						
GD20060M24	24	18 to 26.5	1.5	36	3000	17.49	616.4	11.08	0.44	65.8
GD20060M48	48	36 to 54	0.8	38.4						
GD20060H12	12	6.0 to 13.5	4.5	54						
GD20060H24	24	18 to 26.5	2.5	60	3500	20.4	719.14	12.93	0.51	70.5
GD20060H48	48	36 to 54	1.5	72						