

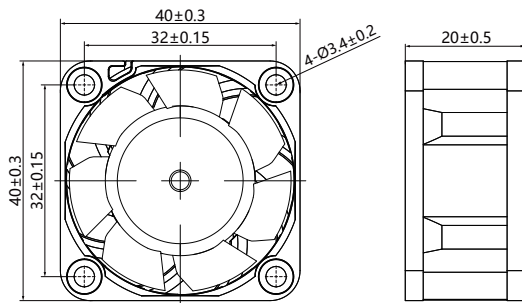
# GD4020 Series

40x40x20mm (1.6"x1.6"x0.8")

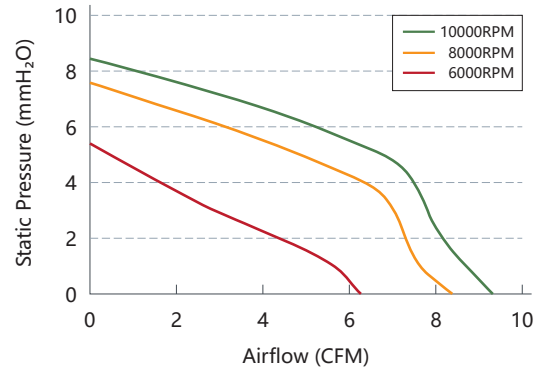


Fan Frame: Thermoplastic PBT UL 94V-0  
 Fan Impeller: Thermoplastic PBT UL 94V-0  
 Bearing system: Ball bearing and Sleeve bearing available  
 Operation Temp: -30~70°C (Ball bearing)  
 -10~55°C (Sleeve bearing)  
 Service Life: 70000hours @40°C (Ball bearing)  
 30000hours @40°C (Sleeve bearing)  
 Weight: 24.5g

## Engineering Drawing (mm)



## Air Performance



## Available Functions

### Motor protection

RP	SS	AS	CL	OVP
●	●	●	○	○

### Signal output

FG	RD	RDB	LD
●	●	○	○

### Speed control mode

PWM	TC	VC	CC	CS
●	○	○	○	○

## Specifications

Model	Voltage	Voltage Range	Current	Power	Speed	Maximum Air Flow	Maximum Air Pressure	Noise		
No.	VDC	VDC	A	W	RPM	m <sup>3</sup> /min	CFM	mmH <sub>2</sub> O	INH <sub>2</sub> O	dB(A)
GD4020L05	5	3.6 to 6.8	0.2	1						
GD4020L12	12	6.0 to 13.5	0.08	0.96	6000	0.17	6.16	5.4	0.21	23.6
GD4020L24	24	18 to 26.5	0.04	0.96						
GD4020M05	5	3.6 to 6.8	0.28	1.4						
GD4020M12	12	6.0 to 13.5	0.15	1.8	8000	0.23	8.23	7.62	0.3	25.4
GD4020M24	24	18 to 26.5	0.08	1.92						
GD4020H12	12	6.0 to 13.5	0.25	3	10000	0.26	9.15	8.5	0.33	27.2
GD4020H24	24	18 to 26.5	0.12	2.88						

DC Axial Fan - GD Series  
DC Radial Fan - GRD Series  
EC Axial Fan - GE Series