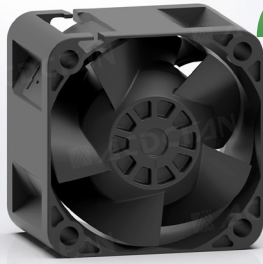


GD4028 Series

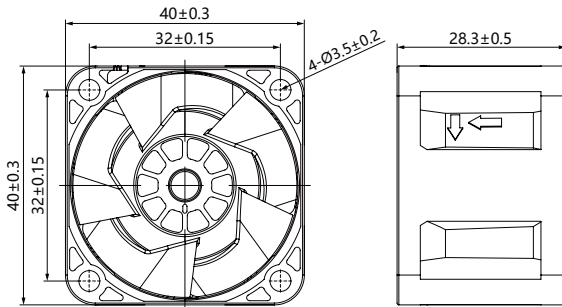
40x40x28mm (1.6"x1.6"x1.1")



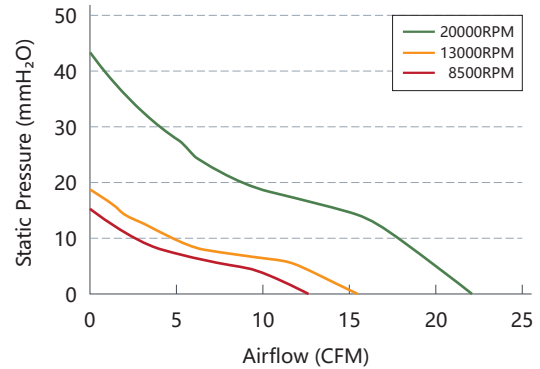
NEW

Fan Frame:	Thermoplastic PBT UL 94V-0
Fan Impeller:	Thermoplastic PBT UL 94V-0
Bearing system:	Ball bearing
Operation Temp:	-30~70°C
Service Life:	70000hours @40°C
Weight:	29.8g

Engineering Drawing (mm)



Air Performance



Available Functions

Motor protection

RP	SS	AS	CL	OVP
●	●	●	○	○

Signal output

FG	RD	RDB	LD
●	●	○	○

Speed control mode

PWM	TC	VC	CC	CS
●	○	○	○	○

Specifications

Model	Voltage	Voltage Range	Current	Power	Speed	Maximum Air Flow	Maximum Air Pressure	Noise		
No.	VDC	VDC	A	W	RPM	m³/min	CFM	mmH ₂ O	INH ₂ O	dB(A)
GD4028L12	12	6.0 to 13.5	0.3	3.6	8500	0.354	12.5	15.5	0.61	35.5
GD4028L24	24	18 to 26.5	0.18	4.32	13000	0.43	15.2	19.2	0.76	40.2
GD4028M12	12	6.0 to 13.5	0.5	6	20000	0.616	21.8	43.63	1.72	58
GD4028M24	24	18 to 26.5	0.3	7.2						
GD4028H12	12	6.0 to 13.5	0.8	9.6						
GD4028H24	24	18 to 26.5	0.5	12						