

GD6038 Xflow Series

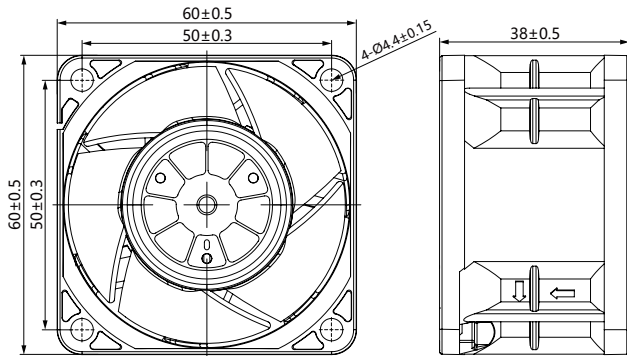
60x60x38mm (2.4"x2.4"x1.5")



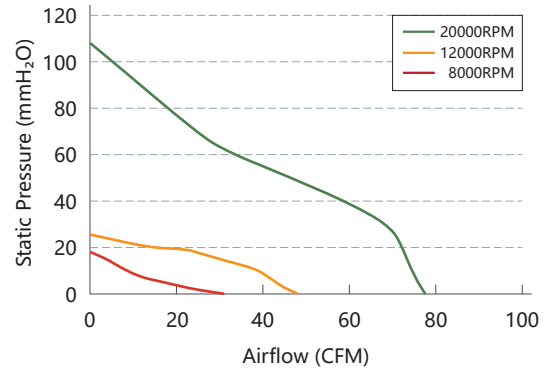
Xflow Series

Fan Frame: Thermoplastic PBT UL 94V-0
 Fan Impeller: Thermoplastic PBT UL 94V-0
 Bearing system: Ball bearing
 Operation Temp: -30~70°C
 Service Life: 70000hours @40°C
 Weight: 104g

Engineering Drawing (mm)



Air Performance



Available Functions

Motor protection

RP	SS	AS	CL	OVP
●	●	●	○	○

Signal output

FG	RD	RDB	LD
●	●	○	○

Speed control mode

PWM	TC	VC	CC	CS
●	○	○	○	○

Specifications

Model	Voltage	Voltage Range	Current	Power	Speed	Maximum Air Flow	Maximum Air Pressure	Noise		
No.	VDC	VDC	A	W	RPM	m ³ /min	CFM	mmH ₂ O	INH ₂ O	dB(A)
GD6038L12	12	6.0 to 13.5	0.6	7.2						
GD6038L24	24	18 to 26.5	0.2	4.8	8000	0.87	30.76	17.17	0.68	47.1
GD6038L48	48	36 to 54	0.15	7.2						
GD6038M12	12	6.0 to 13.5	1.5	18						
GD6038M24	24	18 to 26.5	0.35	8.4	12000	1.34	47.19	38.64	1.52	57.4
GD6038M48	48	36 to 54	0.3	14.4						
GD6038H12	12	6.0 to 13.5	2.5	30						
GD6038H24	24	18 to 26.5	0.7	16.8	20000	2.18	76.89	107.32	4.23	69
GD6038H48	48	36 to 54	0.5	24						

DC Axial Fan - GD Series
DC Radial Fan - GRD Series
EC Axial Fan - GE Series