

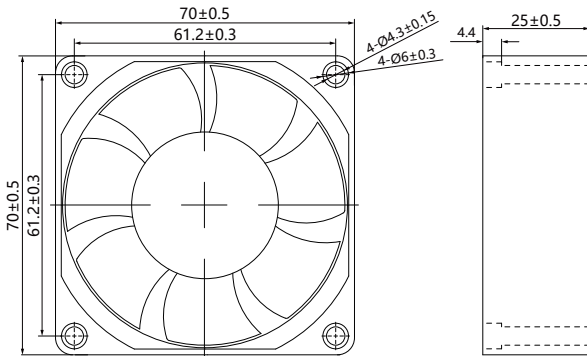
GD7025 Series

70x70x25mm (2.8"x2.8"x1")

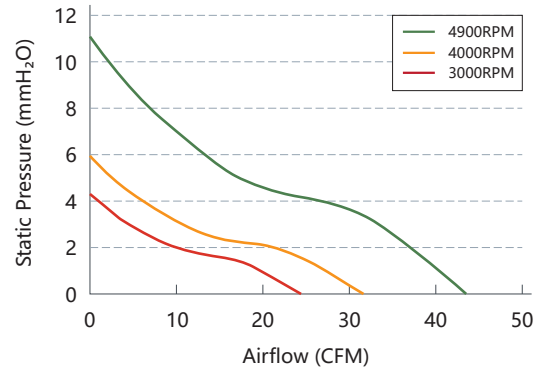


Fan Frame: Thermoplastic PBT UL 94V-0
 Fan Impeller: Thermoplastic PBT UL 94V-0
 Bearing system: Ball bearing and Sleeve bearing available
 Operation Temp: -30~70°C (Ball bearing)
 -10~55°C (Sleeve bearing)
 Service Life: 70000hours @40°C (Ball bearing)
 30000hours @40°C (Sleeve bearing)
 Weight: 67.3g

Engineering Drawing (mm)



Air Performance



Available Functions

Motor protection

RP	SS	AS	CL	OVP
●	●	●	○	○

Signal output

FG	RD	RDB	LD
●	●	○	○

Speed control mode

PWM	TC	VC	CC	CS
●	○	○	○	○

Specifications

Model	Voltage	Voltage Range	Current	Power	Speed	Maximum Air Flow	Maximum Air Pressure	Noise		
No.	VDC	VDC	A	W	RPM	m ³ /min	CFM	mmH ₂ O	INH ₂ O	dB(A)
GD7025L12	12	6.0 to 13.5	0.1	1.2	3000	0.64	22.71	3.49	0.14	34
GD7025L24	24	18 to 26.5	0.07	1.68	4000	0.93	32.64	6.07	0.24	41.9
GD7025M12	12	6.0 to 13.5	0.16	1.92	4900	1.26	44.37	11.24	0.44	45.6
GD7025M24	24	18 to 26.5	0.11	2.64						
GD7025H12	12	6.0 to 13.5	0.27	3.24						
GD7025H24	24	18 to 26.5	0.17	4.08						