

GD8038 XPressure Series

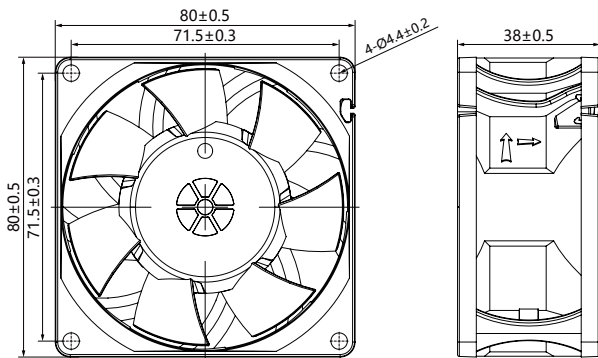
80x80x38mm (3.1"x3.1"x1.5")



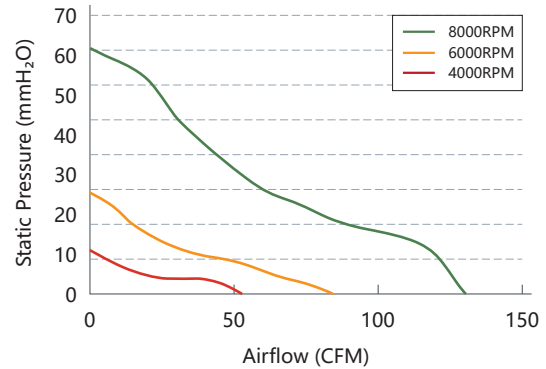
XPressure Series

Fan Frame: Thermoplastic PBT UL 94V-0
 Fan Impeller: Thermoplastic PBT UL 94V-0
 Bearing system: Ball bearing
 Operation Temp: -30~70°C
 Service Life: 70000hours @40°C
 Weight: 177.6g
 Option: Customized IP67/IP68 protection level

Engineering Drawing (mm)



Air Performance



Available Functions

Motor protection

RP SS AS CL OVP

Signal output

FG RD RDB LD

Speed control mode

PWM TC VC CC CS

Specifications

Model	Voltage	Voltage Range	Current	Power	Speed	Maximum Air Flow	Maximum Air Pressure	Noise		
No.	VDC	VDC	A	W	RPM	m ³ /min	CFM	mmH ₂ O	INH ₂ O	dB(A)
GD8038L12	12	6.0 to 13.5	0.5	6						
GD8038L24	24	18 to 26.5	0.25	6	4000	1.49	52.52	10.46	0.41	42
GD8038L48	48	36 to 54	0.12	5.76						
GD8038M12	12	6.0 to 13.5	0.9	10.8						
GD8038M24	24	18 to 26.5	0.45	10.8	6000	2.39	84.32	24.95	0.98	57.3
GD8038H12	12	6.0 to 13.5	1.6	19.2						
GD8038H24	24	18 to 26.5	0.8	19.2	8000	4.08	131	60.61	2.39	69.5
GD8038H48	48	36 to 54	0.4	19.2						

DC Axial Fan - GD Series
DC Radial Fan - GRD Series
EC Axial Fan - GE Series