

GD9238 XPressure Series

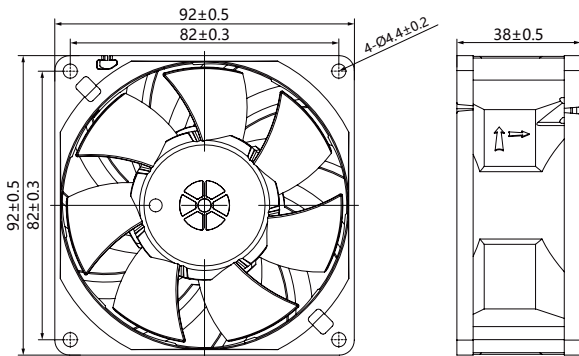
92x92x38mm (3.6"x3.6"x1.5")



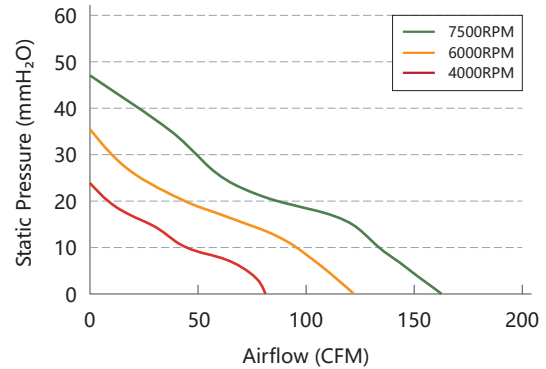
XPressure Series

Fan Frame: Thermoplastic PBT UL 94V-0
 Fan Impeller: Thermoplastic PBT UL 94V-0
 Bearing system: Ball bearing
 Operation Temp: -30~70°C
 Service Life: 70000hours @40°C
 Weight: 202g
 Option: Customized IP67/IP68 protection level

Engineering Drawing (mm)



Air Performance



Available Functions

Motor protection

RP	SS	AS	CL	OVP
●	●	●	○	○

Signal output

FG	RD	RDB	LD
●	●	○	○

Speed control mode

PWM	TC	VC	CC	CS
●	○	○	○	○

Specifications

Model	Voltage	Voltage Range	Current	Power	Speed	Maximum Air Flow	Maximum Air Pressure	Noise		
No.	VDC	VDC	A	W	RPM	m ³ /min	CFM	mmH ₂ O	INH ₂ O	dB(A)
GD9238L12	12	6.0 to 13.5	0.5	6						
GD9238L24	24	18 to 26.5	0.25	6	4000	2.33	82.04	24.27	0.96	37
GD9238L48	48	36 to 54	0.12	5.76						
GD9238M12	12	6.0 to 13.5	0.9	10.8						
GD9238M24	24	18 to 26.5	0.45	10.8	6000	3.49	123.05	36.4	1.43	55.6
GD9238M48	48	36 to 54	0.22	10.56						
GD9238H12	12	6.0 to 13.5	1.6	19.2						
GD9238H24	24	18 to 26.5	0.8	19.2	7500	4.66	164.07	48.53	1.91	74
GD9238H48	48	36 to 54	0.4	19.2						

DC Axial Fan - GD Series
DC Radial Fan - GRD Series
EC Axial Fan - GE Series