

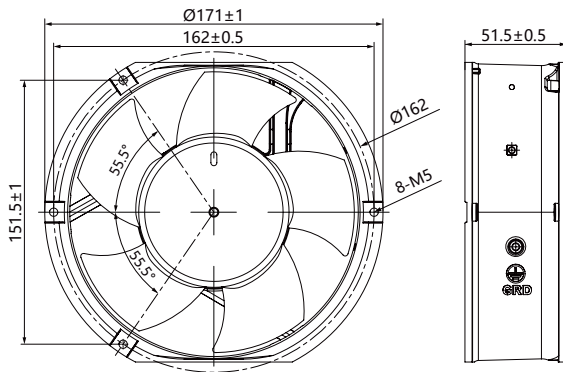
# GE17250 Series

172x150x51mm (6.8"x5.9"x2")

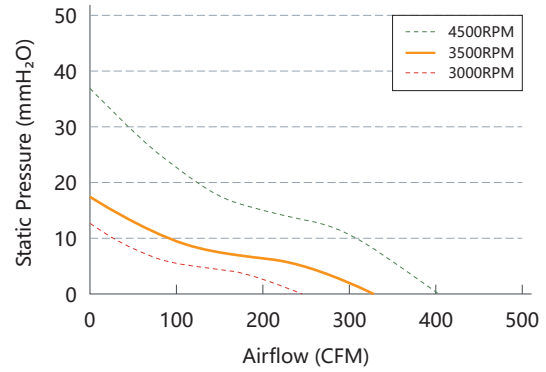


Fan Frame: Aluminum ADC-12, Painted Black  
 Fan Impeller: Thermoplastic PBT UL 94V-0  
 Bearing system: Ball bearing  
 Operation Temp: -30~70°C  
 Service Life: 70000hours @40°C  
 Weight: 655g

## Engineering Drawing (mm)



## Air Performance



## Available Functions

### Motor protection

RP	SS	AS	CL	OVP
<input type="radio"/>	<input type="radio"/>	<input checked="" type="radio"/>	<input type="radio"/>	<input type="radio"/>

### Signal output

FG	RD	RDB	LD
<input checked="" type="radio"/>	<input checked="" type="radio"/>	<input type="radio"/>	<input type="radio"/>

### Speed control mode

PWM	TC	VC	CC	CS
<input checked="" type="radio"/>	<input type="radio"/>	<input type="radio"/>	<input type="radio"/>	<input type="radio"/>

## Specifications

Model	Voltage	Voltage Range	Freq.	Power	Speed	Maximum Air Flow	Maximum Air Pressure	Noise		
No.	VAC	VAC	Hz	W	RPM	m <sup>3</sup> /min	CFM	mmH <sub>2</sub> O	INH <sub>2</sub> O	dB(A)
GE17250M110	110	100/125	50/60	25	3500	9.25	326.2	17.15	0.68	63.2
GE17250M220	220	200/240	50/60	25						

DC Axial Fan - GD Series  
DC Radial Fan - GRD Series  
EC Axial Fan - GE Series