

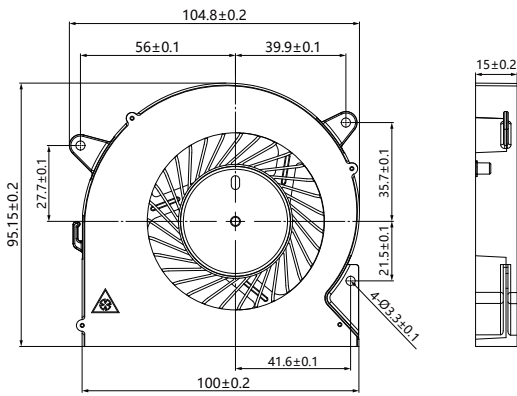
GRD10015 Series

100x95x15mm (3.9"x3.7"x0.6")

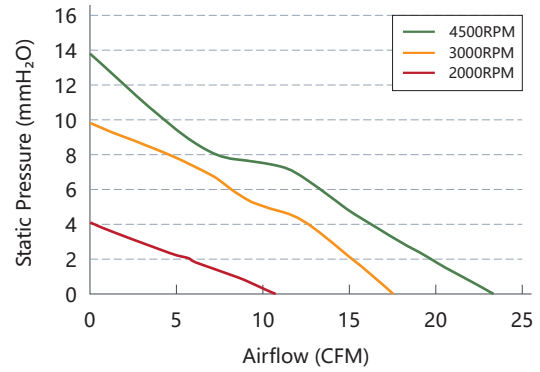


Fan Frame: Thermoplastic PBT UL 94V-0
 Fan Impeller: Thermoplastic PBT UL 94V-0
 Bearing system: Fluid bearing
 Operation Temp: -10~55°C
 Service Life: 30000hours @40°C
 Weight: 108g

Engineering Drawing (mm)



Air Performance



Available Functions

Motor protection

RP	SS	AS	CL	OVP
●	●	●	○	○

Signal output

FG	RD	RDB	LD
●	●	○	○

Speed control mode

PWM	TC	VC	CC	CS
●	○	○	○	○

Specifications

Model	Voltage	Voltage Range	Current	Power	Speed	Maximum Air Flow	Maximum Air Pressure	Noise		
No.	VDC	VDC	A	W	RPM	m ³ /min	CFM	mmH ₂ O	INH ₂ O	dB(A)
GRD10015L12	12	6.0 to 13.5	0.17	2.04	2000	0.3	10.65	4.06	0.16	30.5
GRD10015L24	24	18 to 26.5	0.12	2.88	2000	0.3	10.65	4.06	0.16	30.5
GRD10015M12	12	6.0 to 13.5	0.55	6.6	3000	0.49	17.58	9.78	0.39	40.2
GRD10015M24	24	18 to 26.5	0.28	6.72	3000	0.49	17.58	9.78	0.39	40.2
GRD10015H12	12	6.0 to 13.5	0.7	8.4	4000	0.66	23.28	13.78	0.54	47.1
GRD10015H24	24	18 to 26.5	0.32	7.68	4000	0.66	23.28	13.78	0.54	47.1