

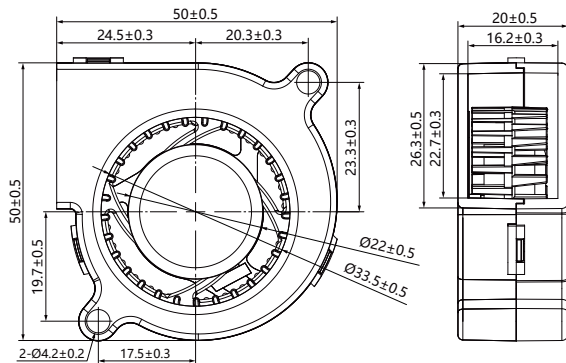
GRD5020 Series

50x50x20mm (2"x2"x0.8")

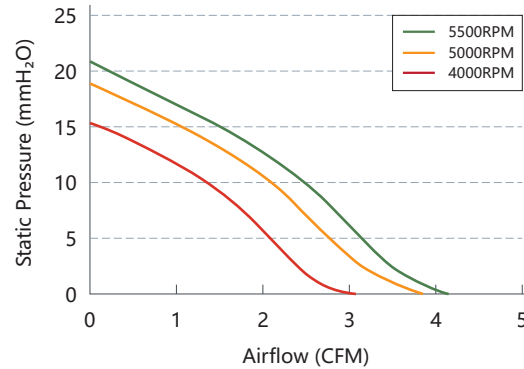


Fan Frame: Thermoplastic PBT UL 94V-0
 Fan Impeller: Thermoplastic PBT UL 94V-0
 Bearing system: Ball bearing
 Operation Temp: -30~70°C
 Service Life: 70000hours @40°C
 Weight: 31.6g

Engineering Drawing (mm)



Air Performance



Available Functions

Motor protection

RP SS AS CL OVP

Signal output

FG RD RDB LD

Speed control mode

PWM TC VC CC CS

Specifications

Model	Voltage	Voltage Range	Current	Power	Speed	Maximum Air Flow	Maximum Air Pressure	Noise		
No.	VDC	VDC	A	W	RPM	m ³ /min	CFM	mmH ₂ O	INH ₂ O	dB(A)
GRD5020L05	5	3.6 to 6.8	0.17	0.85						
GRD5020L12	12	6.0 to 13.5	0.14	1.68	4000	0.081	3.09	15.222	0.599	32.1
GRD5020L24	24	18 to 26.5	0.07	1.68						
GRD5020M05	5	3.6 to 6.8	0.39	1.95						
GRD5020M12	12	6.0 to 13.5	0.19	2.28	5000	0.109	3.87	19.028	0.749	37
GRD5020M24	24	18 to 26.5	0.11	2.64						
GRD5020H12	12	6.0 to 13.5	0.23	2.76						
GRD5020H24	24	18 to 26.5	0.15	3.6	5500	0.121	4.26	20.931	0.824	39.6