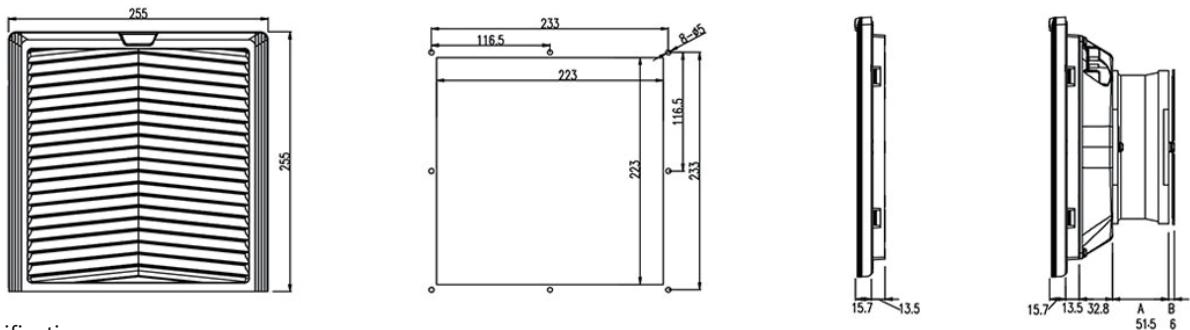


GX223.230

GX223.300

Engineering Drawing (mm)



Specifications

Model No. (Filter fan unit)	GX223.230	GX223.115	GX223.024
Rated operating voltage	220 ~ 240V	110 ~ 120V	24V
Frequency	50/60 Hz	50/60 Hz	/
Air flow rate (Free blow)	220/240 m ³ /h		240 m ³ /h
Air flow rate with filter	1 x GX223.300: 115/185 m ³ /h		
Axial fan	Self starting shaded pole motor		
Max. rated current	0.24A / 0.22A	0.48A / 0.46A	0.58A
Rated Power	38/36W		14W
Noise level	50/52 dB(A)		50 dB(A)
Operating temperature range	-20°C ~ 65°C		
Model No. (Exit filter)	GX223.300		
Optional Fan Size	1) 172x150x51mm; 2) 172x150x55mm; 3) 180x180x60mm; 4) 206x206x72mm; 5) Ø220x60mm		
Material	ABS; ABS plastic with UL 94V-0 as customized option		
Air flow direction	Air-in as default; air-out optional		
Protection Level	IP54		