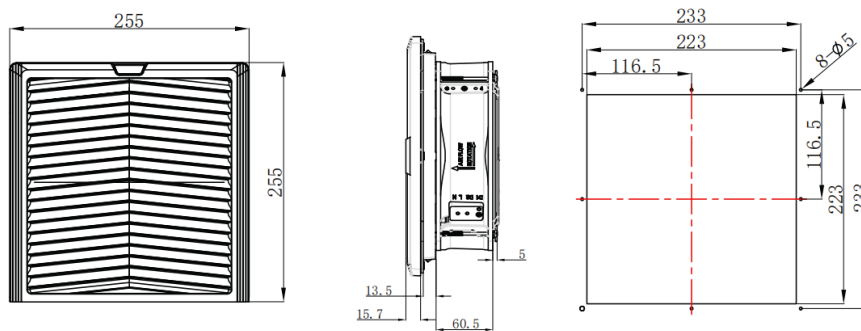


GX223.024

GX223.300

Engineering Drawing (mm)



Specifications

Model No. (Filter fan unit)	GX223.024L-Z08	GX223.024M-Z08	GX223.024H-Z08
Rated operating voltage	24V	24V	24V
Fan Model	GD20060L24B-Z08	GD20060M24B-Z08	GD20060H24B-Z08
Fan Certification	UL CE	UL CE	UL CE
Speed	2500RPM	3000RPM	3500RPM
Air flow rate with filter	272m ³ /h	326.4m ³ /h	380.8m ³ /h
Air Pressure with filter	109.2Pa	147.98Pa	213.9Pa
Axial fan	Self starting shaded pole motor		
Max. rated current	0.8A	1.5A	2.5A
Rated Power	19.2W	36W	60W
Noise level	59.7dB(A)	64dB(A)	66dB(A)
Operating temperature range	-30°C ~ 70°C		
Model No. (Exit filter)	GX223.300		
Material	ABS; ABS plastic with UL 94V-0 as customized option		
Air flow direction	Air-in as default; air-out optional		
Protection Level	IP54		